

LED PWM Dimmer

PWM / Power

Solution Products



MF-MSMF110/16-2



CDSOT23-T12C

Objective

This solution is designed to protect LED dimmer controls with 12 VDC/1 Amp and PWM control signal from overcurrent, overvoltage, ESD and surge events.

Solution

- 1 Multifuse[®] PPTC Resetttable Fuse:
MF-MSMF110/16-2
- 2 TVS Diode Arrays: CDSOT23-T12C

Compliance

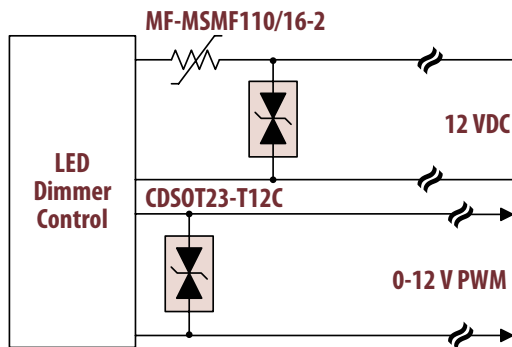
- IEC61000-4-2 ESD Level 4 (8 kV / 15 kV)
- IEC61000-4-4 EFT
- IEC61000-4-5 Surge / Lightning

Alternate Recommendations

Solutions are available for lower/higher levels of overvoltage/overcurrent protection

Benefit

This solution provides ESD/EFT/surge and supplies overcurrent protection from potential faults during installation within rated limits.



The schematic above illustrates the application protection and does not constitute the complete circuit design. Customers should verify actual device performance in their specific applications.

Design Kit



PN-DESIGNKIT-29

Mouser Electronics

Authorized Distributor

Click to View Pricing, Inventory, Delivery & Lifecycle Information:

[Bourns:](#)

[PN-DESIGNKIT-29](#)