

HDMI® Port

HDMI 1.4 - ESD & Overcurrent Protection

Solution Products



CG0402MLU-05G



MF-FSMF020X-2

Objective

HDMI 1.4 is a hot-pluggable interface combining video, audio & Ethernet signals. Voltages are 5 V or lower and the bandwidth is 340 MHz. This solution provides HDMI 1.4 ports with protection against ESD and short circuits without impairing the transmission of power or data

Solution

- 9 ChipGuard® ESD Suppressors:
CG0402MLU-05G
- 1 Multifuse® PTC Resettable Fuse:
MF-FSMF020X-2

Compliance

IEC 61000-4-2 Level 4 (8 kV / 15 kV)

Alternate Recommendations

- Other PortNote® Solutions:*
- HDMI: HDMI 1.3 - ESD & Overcurrent Protection
- Other ChipGuard® Protectors:*
- CG0603MLU-05E, CG0402MLC-05LGA
CG0603MLC-05LEA

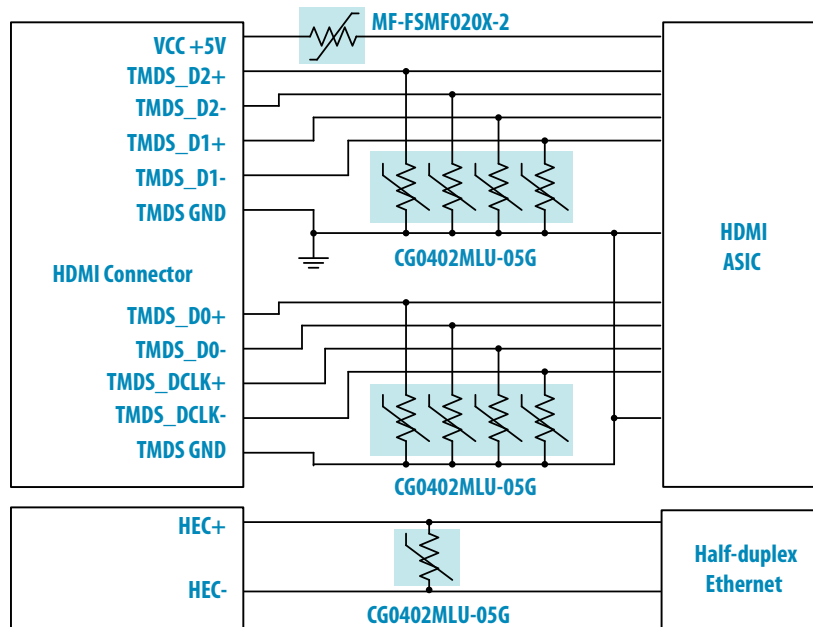
Benefit

This solution provides IEC 61000 Level 4 ESD protection without impairing the HDMI signal.

Design Kit



PN-DESIGNKIT-12



The schematic above illustrates the application protection and does not constitute the complete circuit design. Customers should verify actual device performance in their specific applications.

Mouser Electronics

Authorized Distributor

Click to View Pricing, Inventory, Delivery & Lifecycle Information:

[Bourns:](#)

[PN-DESIGNKIT-12](#)