

Ethernet ESD Protection

Solution Products



CDSOT236-0504C

Objective

Ethernet interfaces are 2 V digital signals operating on a 125 MHz clock. This solution provides ESD protection commonly required in indoor, short-cable applications where ESD is the primary threat.

Compliance

IEC 61000-4-2 Level 4 (8 kV / 15 kV)

Alternate Recommendations

Other PortNote[®] solutions:

- Ethernet - Power Contact and Surge Protection
- Ethernet - 10/100 Power over Ethernet (PoE)

Solution

2 TVS Diode Arrays: CDSOT236-0504C

Benefit

This solution provides ESD protection without impairing the Ethernet signal.

Companion Products

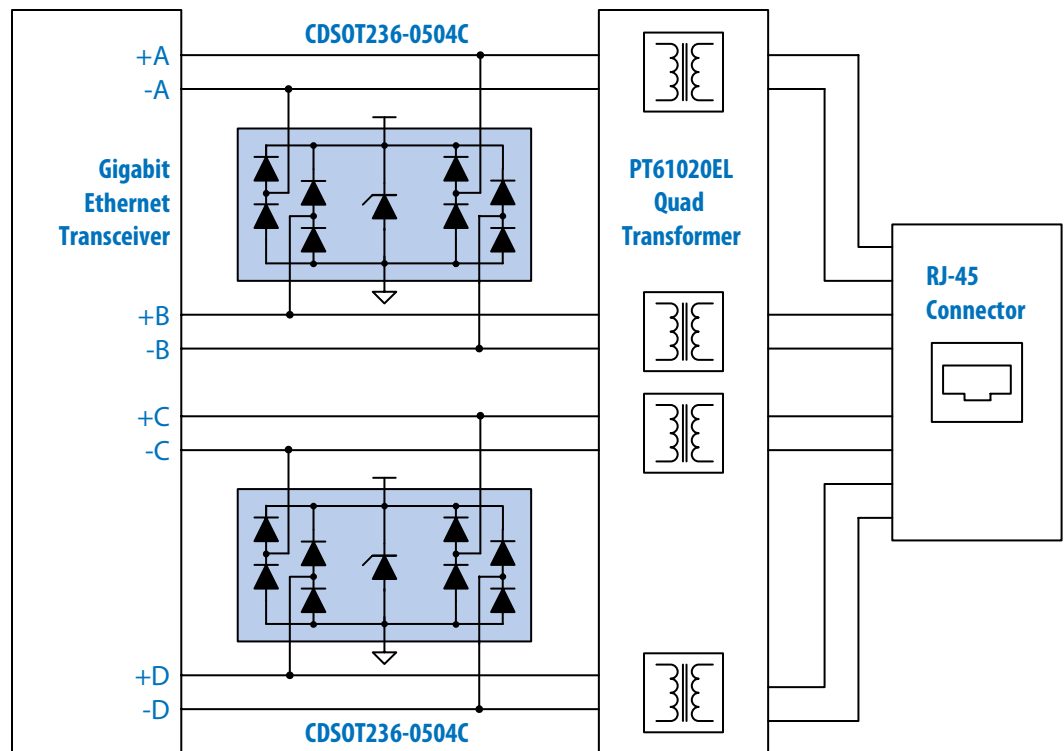


PT61020EL
Quad Transformer

Design Kit



PN-DESIGNKIT-1



The schematic above illustrates the application protection and does not constitute the complete circuit design. Customers should verify actual device performance in their specific applications.

Mouser Electronics

Authorized Distributor

Click to View Pricing, Inventory, Delivery & Lifecycle Information:

Bourns:

[PN-DESIGNKIT-1](#)