

## Features

- Carbon element
- Assortment of resistance tapers
- 45 mm and 60 mm travel lengths
- Single and dual gang elements
- Long operational life
- Tracking error within  $\pm 2$  dB
- Various lever styles



## PTE Series Low Profile Slide Potentiometer

### Electrical Characteristics

Standard Resistance Range ..... 1K ohms to 1 megohm  
 Standard Resistance Tolerance...  $\pm 20$  %  
 End Resistance ..... 2 ohms max.  
 Insulation Resistance @ 100 VDC ..... 100 megohms min.  
 Dielectric Withstanding Voltage ..... 250 VAC  
 Tracking Error .....  $\pm 2$  dB  
 Standard Taper ..... Linear, Audio  
 Power Rating  
 Linear ..... 0.2 watt  
 Audio ..... 0.1 watt  
 Slider Noise ..... 100 mV max.

### Environmental Characteristics

Operational Life ..... 100,000 cycles  
 TR Shift .....  $\pm 15$  %  
 Operating Temperature Range .....  $-10$  °C to  $+55$  °C  
 Resistance to Solder Heat.....  $\pm 5$  %

### Mechanical Characteristics

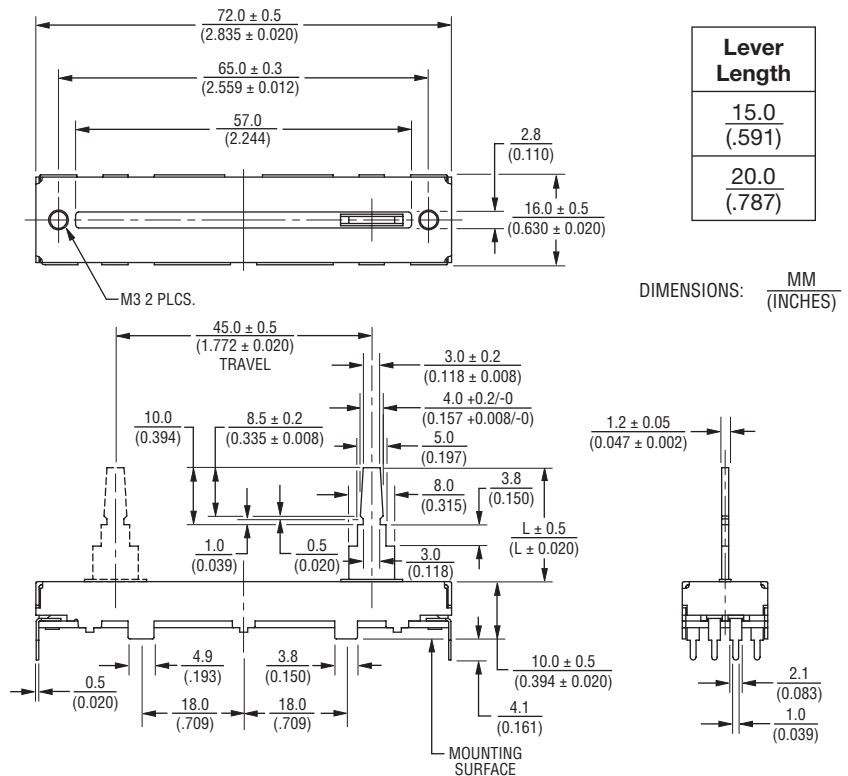
Mechanical Angle .....  $300$  °  $\pm 5$  °  
 Mechanical Travel..... Length  $\pm 0.5$  mm  
 Operating Force ..... 50 gf  
 Stop Strength ..... 5 kgf min.  
 Shaft Axial Force ..... 5 kgf min.  
 Shaft Wobble..  $2(2 \times L/25)$  mm p-p max.  
 Soldering Condition  
 Manual .....  $300$  °C  $\pm 5$  °C for 3 sec.  
 Wave .....  $260$  °C  $\pm 5$  °C for 5 sec.  
 Wash ..... Not recommended

### Standard Resistance Table

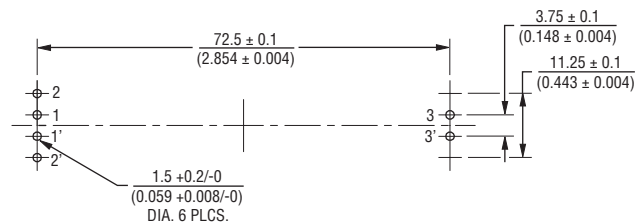
Resistance (Ohms)	Resistance Code
1,000	102
2,000	202
5,000	502
10,000	103
20,000	203
50,000	503
100,000	104
200,000	204
500,000	504
1,000,000	105

### Product Dimensions

#### 45 mm Length of Travel Lever End Style "B"

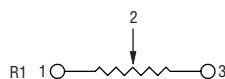


#### Mounting Hole Detail

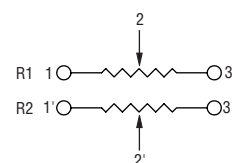


### Schematics

#### Single Gang



#### Dual Gang



\*RoHS Directive 2002/95/EC Jan 27 2003 including Annex  
 Specifications are subject to change without notice.  
 Customers should verify actual device performance in their specific applications.

## Applications

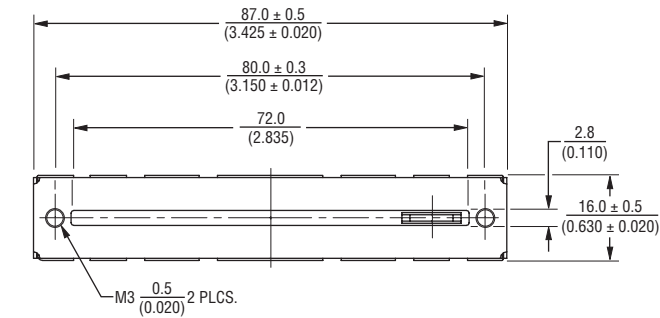
- Mixing consoles
- Drum machines
- Keyboards and synthesizers
- Equalizers

# PTE Series Low Profile Slide Potentiometer

# BOURNS®

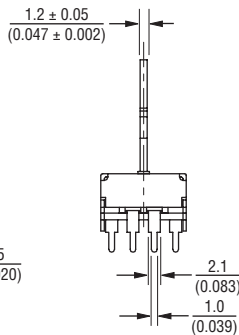
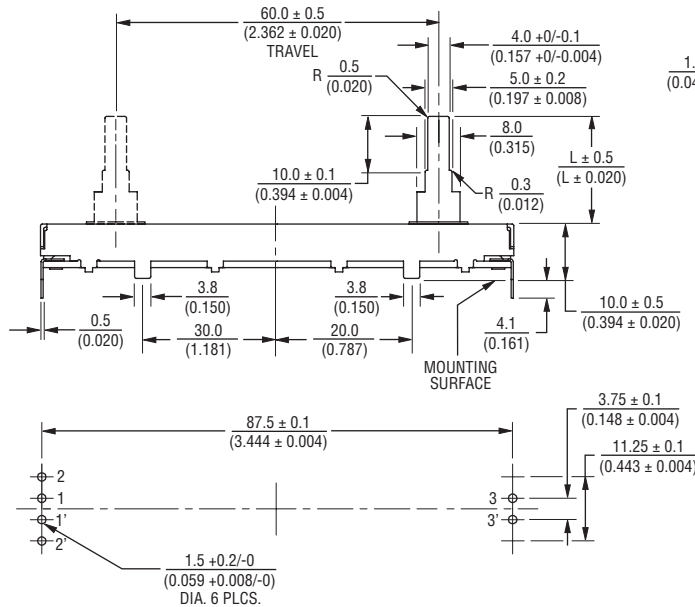
## Product Dimensions

60 mm Length of Travel  
Lever End Style "A"

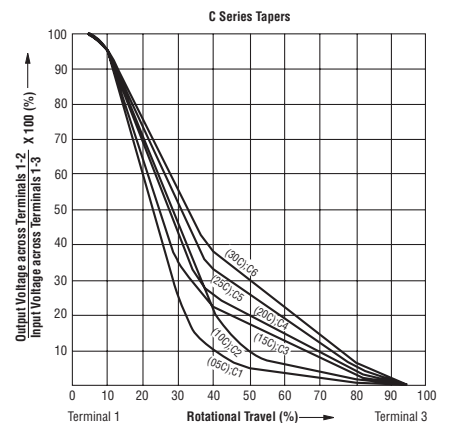
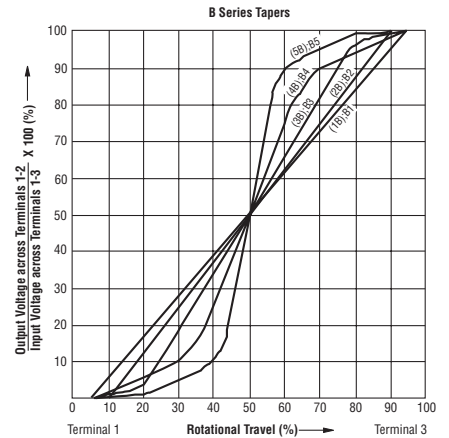
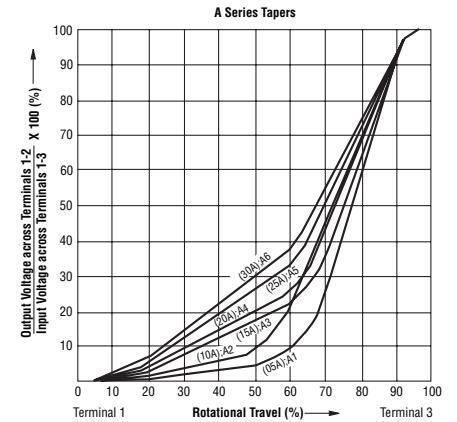


Lever Length	
15.0	(.591)
20.0	(.787)

DIMENSIONS:  $\frac{\text{MM}}{\text{(INCHES)}}$



## Tapers



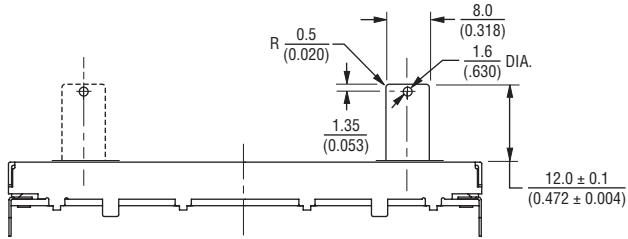
Specifications are subject to change without notice.  
Customers should verify actual device performance in their specific applications.

# PTE Series Low Profile Slide Potentiometer

# BOURNS®

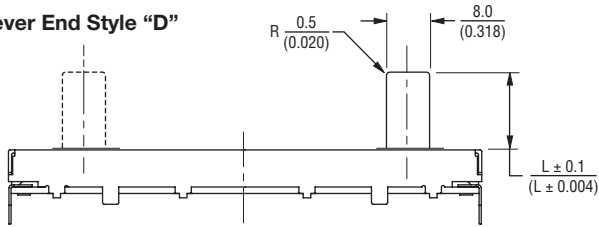
## Additional Lever End Styles

### Lever End Style "C"



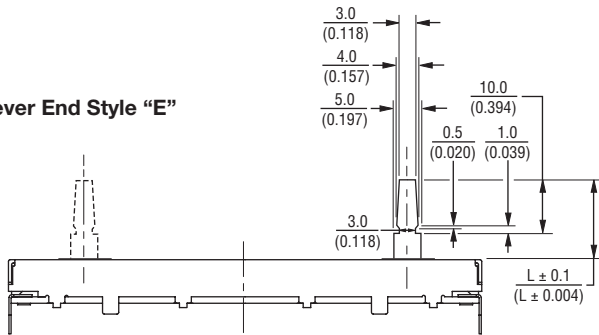
DIMENSIONS:  $\frac{\text{MM}}{\text{(INCHES)}}$

### Lever End Style "D"



<b>Lever Length</b>
$\frac{12.8}{(.504)}$
$\frac{20.0}{(.787)}$

### Lever End Style "E"



<b>Lever Length</b>
$\frac{15.0}{(.591)}$
$\frac{20.0}{(.787)}$

## How To Order

**PTE 45 - 15 2 A - 103 B2**

Model Number \_\_\_\_\_

Designator \_\_\_\_\_  
 PTE = Low Profile Slide Potentiometer

Length of Travel \_\_\_\_\_  
 45 = 45 mm  
 60 = 60 mm

Lever Length \_\_\_\_\_  
 12 = 12 mm (Available with Lever End Style C)  
 13 = 12.8 mm (Available with Lever End Style D)  
 15 = 15 mm (Available with Lever End Styles A,B,E)  
 20 = 20 mm (Available with Lever End Styles A,B,D,E)

No. of Gangs \_\_\_\_\_  
 1 = Single Gang  
 2 = Dual Gang

Metal Lever End Style \_\_\_\_\_  
 (Refer to Drawings)  
 • A • D  
 • B • E  
 • C

Resistance Code \_\_\_\_\_  
 (See Standard Resistance Table)

Resistance Taper (See Taper Charts) \_\_\_\_\_  
 Taper Series followed by Curve Number

REV. 02/10

Specifications are subject to change without notice.  
 Customers should verify actual device performance in their specific applications.

# Mouser Electronics

Authorized Distributor

Click to View Pricing, Inventory, Delivery & Lifecycle Information:

## Bourns:

[PTE60-151B-503B2](#) [PTE45-201B-503B2](#) [PTE45-202B-204B2](#) [PTE45-201B-102B2](#) [PTE45-151B-204B2](#) [PTE60-151A-102B2](#) [PTE45-152B-202B2](#) [PTE60-152B-204B2](#) [PTE45-151B-104B2](#) [PTE60-202A-202B2](#) [PTE60-201A-204B2](#) [PTE45-202B-104B2](#) [PTE60-152A-104B2](#) [PTE45-152B-503B2](#) [PTE45-152B-102B2](#) [PTE45-151B-102B2](#) [PTE60-151A-104B2](#) [PTE45-152B-105B2](#) [PTE60-201A-103B2](#) [PTE45-151B-503B2](#) [PTE60-152B-102B2](#) [PTE45-202B-102B2](#) [PTE45-152B-204B2](#) [PTE60-201A-202B2](#) [PTE45-201B-502B2](#) [PTE45-202B-203B2](#) [PTE60-151B-502B2](#) [PTE60-151A-502B2](#) [PTE60-152A-203B2](#) [PTE45-202B-503B2](#) [PTE45-201B-104B2](#) [PTE45-201B-204B2](#) [PTE45-151B-103B2](#) [PTE60-202A-105B2](#) [PTE45-202B-202B2](#) [PTE45-152B-502B2](#) [PTE45-151B-202B2](#) [PTE60-202A-204B2](#) [PTE45-202B-504B2](#) [PTE45-201B-105B2](#) [PTE45-152B-104B2](#) [PTE60-201A-203B2](#) [PTE45-151B-504B2](#) [PTE60-152A-103B2](#) [PTE45-202B-103B2](#) [PTE45-152B-103B2](#) [PTE45-202B-105B2](#) [PTE60-201A-502B2](#) [PTE60-202A-203B2](#) [PTE45-151B-105B2](#) [PTE45-152B-504B2](#) [PTE45-201B-103B2](#) [PTE60-151A-103B2](#) [PTE60-152B-502B2](#) [PTE45-202B-502B2](#) [PTE45-201B-504B2](#) [PTE45-201B-202B2](#) [PTE45-151B-502B2](#) [PTE45-152B-203B2](#) [PTE45-151B-203B2](#) [PTE45-202E-103A2](#) [PTE60-131D-103B2](#) [PTE60-132D-103B2](#) [PTE60-122C-103A2](#) [PTE60-121C-103B1](#) [PTE60-122C-104A2](#) [PTE60-122C-103B2](#) [PTE45-152E-102B2](#) [PTE60-132D-104B2](#) [PTE45-152E-203B2](#) [PTE60-122C-104B2](#) [PTE45-151E-103B1](#)