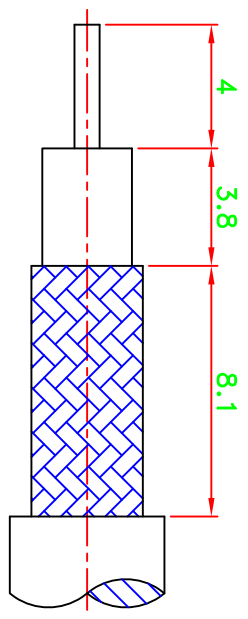
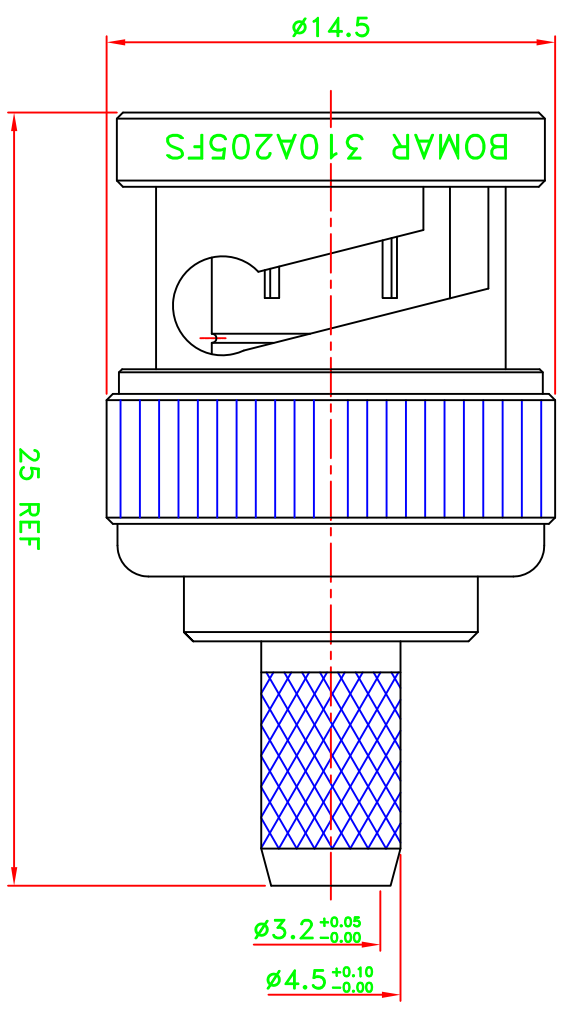
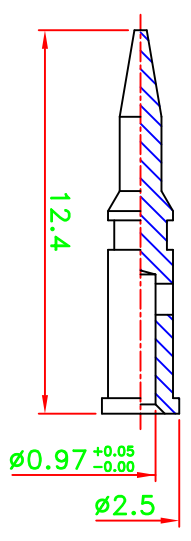


REV	DESCRIPTION\PER REQUEST	DRAWN	DATE

CRIMP SIZES REQUIRED
CONTACT: .068" [1.72mm]
FERRULE: .213" [5.41mm]



RECOMMENDED
CABLE STRIPPING DIM'S



NO	Description	Qty	Material	Finish
9	Gasket	1	Rubber	Red
8	Retaining ring	1	SK-5	Nickel
7	Spring	1	SK-5	Nickel
6	Washer	1	Brass	Nickel
5	Shell	1	Brass	Nickel
4	Ferrule	1	Brass	Nickel
3	Dielectric	1	Delrin	None
2	Pin	1	Brass	Gold
1	Body	1	Brass	Nickel

B-106K1

PART NO. 310A205FS

APPROVED DATE 01/08/14

CHECKED DATE 01/08/14

DRAWN DATE 01/08/14

Vivian

* MAJOR DIMENSION
 UNLESS OTHERWISE NOTED TOLERANCES
 0.5-6 = ±0.2
 6-30 = ±0.4
 30-120 = ±0.6
 120-315 = ±1.0
 ANGLES = ±1°

SCALE	UNIT	mm
4/1	mm	

Bomar Interconnect Products, Inc

TITLE BNC CRIMP PLUG (50 ohm)

DRAWING NO. BNC-1301-12-DGN

FILE NO. W:\DWG\COMPOSE\BNC\BNC-1301-12-DGN Winchester-20140107

REV D

Mouser Electronics

Authorized Distributor

Click to View Pricing, Inventory, Delivery & Lifecycle Information:

[Bomar Interconnect:](#)

[310A205FS](#)