

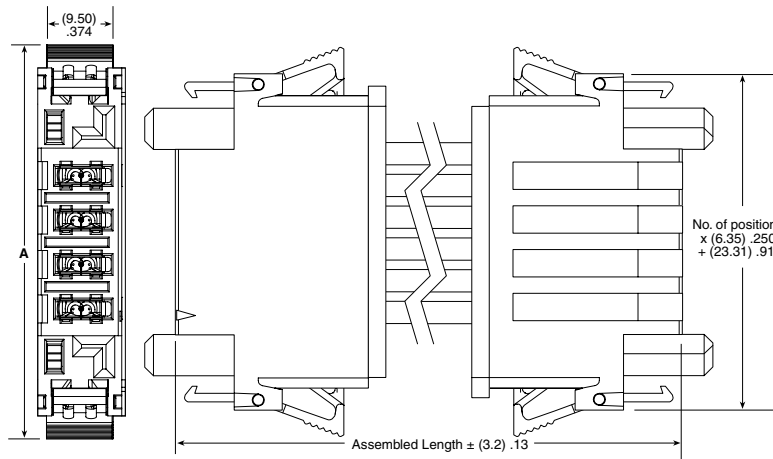
(6.35 mm) .250" PITCH • 40 A CABLE ASSEMBLY/COMPONENTS

| PESS | NO. OF POSITIONS | WIRE GAUGE | PLATING OPTION | ASSEMBLED LENGTH | END 1 OPTION | END 2 OPTION |
|------|-----------------------|------------|---|---|--|--|
| | -02, -04, -06, -08 | -10 -12 | -L = 10 μ" (0.25 μm) Gold on contact, Matte Tin on tail -T = Matte Tin on tail | -"XX.XX" = Wire length in inches (152.4 mm) 06.00" min. | -SR = Single End -DR = Double End | (Available with -DR only) -NUS = Notch up, straight (Available with -DR only) -NDS = Notch down, straight |

PESS
Board Mates:
PET

SPECIFICATIONS

Insulator Material:
Nylon Black
Contact Material:
Copper Alloy
Plating:
Sn or Au over
50 μ" (1.27 μm) Ni
Operating Temp Range:
-30 °C to +105 °C
Voltage Rating:
600 VAC
846 VDC
Wire:
10 or 12 AWG



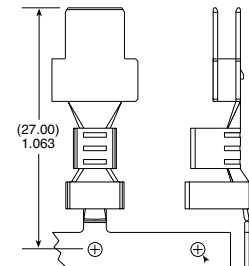
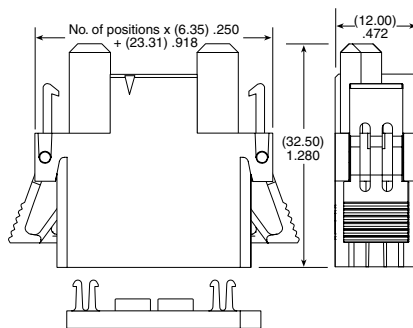
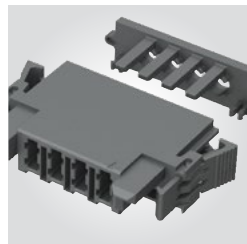
| NO. OF POSITIONS | A |
|------------------|-------------|
| -02 | (43.9) 1.73 |
| -04 | (56.6) 2.23 |
| -06 | (69.3) 2.73 |
| -08 | (82.0) 3.23 |

| PESS/PET | |
|------------|--------------------------|
| WIRE GAUGE | CURRENT RATING (PER PIN) |
| 10 AWG | 34.5 A |
| 12 AWG | 29.7 A |

1 PIN POWERED

View complete specifications at: samtec.com?PESS

| IPS6 | POSITIONS PER ROW | 01 | LATCH | SERIES | WIRE GAUGE | PLATING OPTION |
|------|--------------------|----|---------------|--|-------------------------|---|
| | -02, -04, -06, -08 | | -L = Latch | CC10R = Contact, Full Reel CC10L = Contact, Loose | -1012 = 10 to 12 AWG | -L = 10 μ" (0.25 μm) Gold on contact, Matte Tin on tail -T = Matte Tin on tail |



TOOLING

Hand Tool: CAT-HT-310-1012-14
Mini Applicator: CAT-MC-310-1012-XX-02

Note:
Some lengths, styles and options are non-standard, non-returnable

View complete specifications at: samtec.com?IPS6, samtec.com?CC10L & samtec.com?CC10R

Mouser Electronics

Authorized Distributor

Click to View Pricing, Inventory, Delivery & Lifecycle Information:

Samtec:

[PESS-02-10-L-16.00-SR](#) [PESS-02-10-L-40.00-DR-NUS](#) [PESS-02-10-L-48.00-SR](#) [PESS-02-10-L-22.00-SR](#) [PESS-02-10-S-20.00-DR-NUS](#) [PESS-02-10-S-80.00-DR-NDS](#) [PESS-02-10-L-36.00-DR-NUS](#) [PESS-02-10-T-10.00-SR](#) [PESS-02-12-L-16.00-DR-NDS](#) [PESS-02-12-S-12.00-SR](#) [PESS-04-10-L-15.00-SR](#) [PESS-04-10-L-50.00-DR-NUS](#) [PESS-04-10-L-60.00-SR](#) [PESS-02-10-L-90.00-SR](#) [PESS-02-10-T-36.00-DR-NDS](#) [PESS-02-12-L-36.00-DR-NUS](#) [PESS-02-12-L-39.37-DR-NUS](#) [PESS-04-10-L-10.00-DR-NDS](#) [PESS-04-10-L-12.00-DR-NDS](#) [PESS-04-10-L-12.00-DR-NUS](#) [PESS-04-10-L-99.99-SR](#) [PESS-04-10-S-24.00-DR-NDS](#) [PESS-04-12-L-08.00-DR-NUS](#) [PESS-02-10-L-22.00-DR-NDS](#) [PESS-02-10-L-22.50-DR-NDS](#) [PESS-02-10-L-24.00-SR](#) [PESS-02-10-S-20.00-DR-NDS](#) [PESS-02-12-T-12.00-SR](#) [PESS-02-12-T-20.00-SR](#) [PESS-04-10-L-22.00-SR](#) [PESS-04-10-T-10.00-SR](#) [PESS-04-10-T-24.00-DR-NDS](#) [PESS-04-10-T-24.00-SR](#) [PESS-04-12-L-20.00-DR-NDS](#) [PESS-04-12-L-24.00-SR](#) [PESS-04-12-L-30.00-DR-NDS](#) [PESS-04-12-T-18.00-SR](#) [PESS-04-12-T-36.00-DR-NDS](#) [PESS-06-10-S-36.00-SR](#) [PESS-06-10-S-80.00-DR-NDS](#) [PESS-08-10-L-10.00-DR-NDS](#) [PESS-08-10-S-14.00-SR](#) [PESS-08-10-T-06.01-DR-NDS](#) [PESS-02-10-L-09.00-DR-NDS](#) [PESS-02-10-L-60.00-SR](#) [PESS-02-10-L-72.00-DR-NDS](#) [PESS-02-10-L-99.00-SR](#) [PESS-02-12-L-06.01-SR](#) [PESS-02-12-L-12.00-SR](#) [PESS-02-12-L-36.00-SR](#) [PESS-04-12-L-09.00-SR](#) [PESS-04-12-S-14.00-SR](#) [PESS-06-10-L-36.00-DR-NUS](#) [PESS-06-10-L-39.37-DR-NUS](#) [PESS-06-12-L-08.00-SR](#) [PESS-06-12-L-18.00-SR](#) [PESS-08-10-T-30.00-SR](#) [PESS-08-10-T-39.37-SR](#) [PESS-02-10-L-07.87-DR-NDS](#) [PESS-02-10-L-18.00-SR](#) [PESS-02-10-T-26.00-SR](#) [PESS-02-12-L-24.00-DR-NDS](#) [PESS-04-10-L-08.00-DR-NUS](#) [PESS-04-12-T-06.01-SR](#) [PESS-02-10-L-16.00-DR-NDS](#) [PESS-02-12-L-15.00-DR-NUS](#) [PESS-02-12-L-24.00-SR](#) [PESS-02-12-L-30.00-SR](#) [PESS-02-12-T-25.40-SR](#) [PESS-04-10-L-20.00-DR-NUS](#) [PESS-04-10-L-48.00-DR-NDS](#) [PESS-04-10-T-07.87-DR-NUS](#) [PESS-04-12-L-06.00-DR-NUS](#) [PESS-04-12-L-132.0-SR](#) [PESS-04-12-L-30.00-SR](#) [PESS-04-12-L-36.00-SR](#) [PESS-04-12-T-08.00-DR-NUS](#) [PESS-04-12-T-12.00-DR-NUS](#) [PESS-06-10-L-40.00-DR-NUS](#) [PESS-06-10-L-80.00-SR](#) [PESS-08-10-L-12.00-DR-NUS](#) [PESS-08-12-L-06.00-DR-NUS](#) [PESS-08-12-L-08.00-SR](#) [PESS-02-12-L-12.00-DR-NDS](#) [PESS-06-12-L-12.60-SR](#) [PESS-06-12-L-15.75-DR-NDS](#) [PESS-08-10-L-56.00-SR](#) [PESS-02-10-L-10.00-DR-NDS](#) [PESS-02-10-L-20.00-DR-NUS](#) [PESS-04-12-T-24.00-SR](#) [PESS-06-12-S-12.00-SR](#) [PESS-02-12-L-09.00-DR-NDS](#) [PESS-04-10-T-15.00-SR](#) [PESS-04-10-T-72.00-DR-NUS](#) [PESS-04-12-L-06.01-SR](#) [PESS-02-10-L-39.37-SR](#) [PESS-04-10-L-06.01-DR-NDS](#) [PESS-02-12-L-08.70-SR](#) [PESS-04-12-L-38.00-SR](#) [PESS-06-12-L-11.81-DR-NDS](#)