



(5.00 mm) .1969" PITCH • 30 A CABLE ASSEMBLY/COMPONENTS

MPSS	NO. OF POSITIONS	WIRE GAUGE	PLATING OPTION	ASSEMBLED LENGTH	END 1 OPTION	END 2 OPTION
------	------------------	------------	----------------	------------------	--------------	--------------

-02, -03,
-04, -06, -08

-14
-16

-L
= 10 μ" (0.25 μm)
Gold on contact

-T
= Matte Tin

-"XX.XX"
= Wire length in
inches (83.00 mm)
03.25" min.

-SR
= Single End

-DR
= Double End

(Available with -DR only)

-NUS
= Notch up, straight

-NDS
= Notch down, straight

MPSS

Board Mates:

MPT

SPECIFICATIONS

Insulator Material:

Nylon 6/6

Contact Material:

Copper Alloy

Plating:

Au or Sn over

50 μ" (1.27 μm) Ni

Latch:

Nylon 6/6

Operating Temp Range:

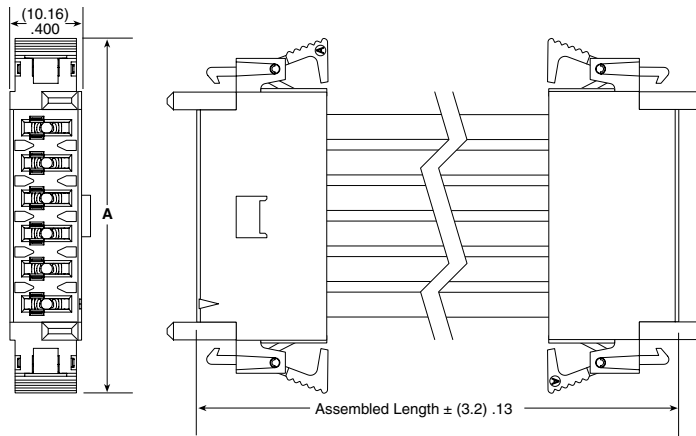
-30 °C to +105 °C

Voltage Rating:

350 VAC/495 VDC

Wire:

14 or 16 AWG



NO. OF POSITIONS	A
-02	(30.07) 1.184
-03	(35.07) 1.381
-04	(40.08) 1.578
-06	(50.09) 1.972
-08	(60.10) 2.366

MPSS/MPT-V	
WIRE GAUGE	CURRENT RATING (PER PIN)
14 AWG	19.7 A
16 AWG	15.9 A
1 PIN POWERED	

View complete specifications at: samtec.com?MPSS

IMS5	POSITIONS PER ROW	02	SERIES	WIRE GAUGE	01	PLATING OPTION
------	-------------------	----	--------	------------	----	----------------

-02, -03, -04, -06, -08

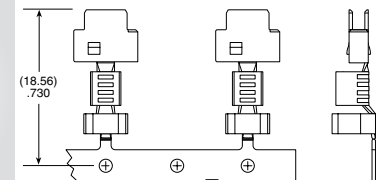
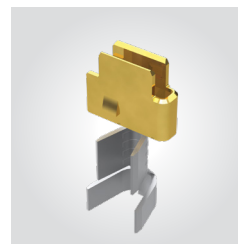
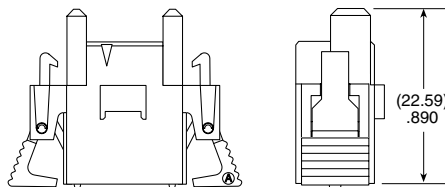
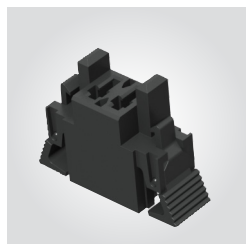
CC46L
= Contact, Loose

-1416
= 14 to 16 AWG

-L
= 10 μ"
(0.25 μm)
Gold on contact

CC46R
= Contact,
Full Reel

-T
= Matte Tin



TOOLING

Hand Tool: CAT-HT-246-1416-14 (14-16 AWG)

Mini Applicator: CAT-MC-246-1416-XX-02 (14-16 AWG)

Extraction Tool: CAT-EX-MPSS-01

Note:

Some lengths, styles and options are non-standard, non-returnable

View complete specifications at: samtec.com?IMS5, samtec.com?CC46L & samtec.com?CC46R

Mouser Electronics

Authorized Distributor

Click to View Pricing, Inventory, Delivery & Lifecycle Information:

[Samtec:](#)

[MPSS-04-14-L-04.00-DR-NDS](#) [MPSS-06-14-L-45.00-DR-NUS](#) [MPSS-04-16-L-07.00-SR](#) [MPSS-02-14-L-04.00-DR-NDS](#) [MPSS-04-16-L-09.00-SR](#) [MPSS-06-14-L-18.00-DR-NDS](#)