

REVISION V

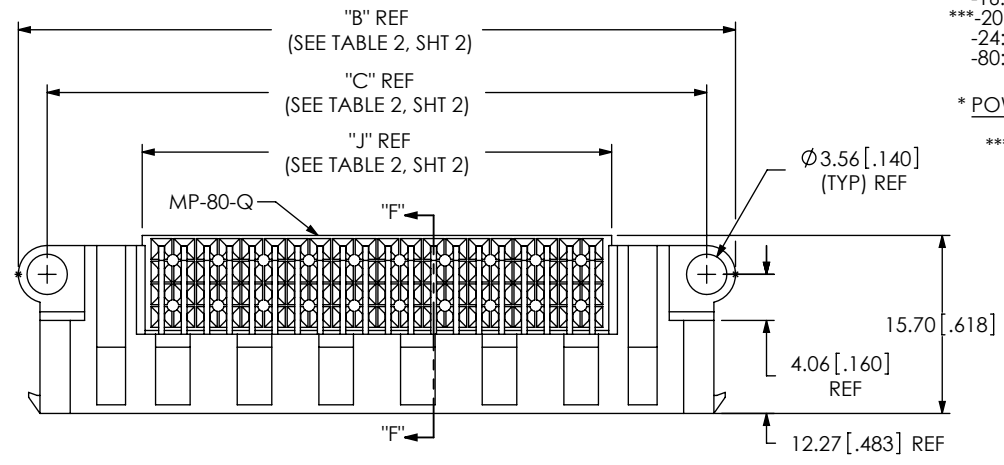
DO NOT SCALE FROM THIS PRINT

- NOTES:**
 1. $\text{\textcircled{C}}$ REPRESENTS A CRITICAL DIMENSION.
 2. BURR ALLOWANCE: 0.038[.0015] MAX.
 3. MINIMUM PUSHOUT FORCE: 2.22N [.5 LB].
 4. PARTS TO BE PACKAGED IN TRAYS.
 5. BOW ALLOWED AT 0.075MM[.0030]/25.0MM[.98].
 6. AS OF REV T SAMTEC WILL ONLY SUPPORT EXISTING BUSINESS WITHOUT -SD OR -LC OPTION SELECTED.

DESIGNED & DIMENSIONED IN MILLIMETERS

MPTC-XX-XX-XX-01-XX-X-RA-XX

- *POWER POSITIONS (PER END)
-01, -02, ***-03, ***-04
- *SIGNAL POSITIONS
***-12: (4 X 3)
-16: (4 X 4)
***-20: (4 X 5)
-24: (4 X 6)
-80: (4 X 20)
- * POWER POSITIONS (PER END)
***-00, -01, -02
- LEADSTYLE
-01
- OPTION (SEE NOTE 6)
-SD: SCREW DOWN (SEE FIG 1, SHT 1)
-LC: LOCKING CLIP (SEE FIG 2, SHT 2)
- RIGHT ANGLE
- PLATING SPECIFICATION
-L: SEE TABLE 3
-T: SEE TABLE 3
- TAIL LENGTH
-01: FOR 1.57[.062] THICK PCB (USE SUB-T-1M40-01-X)
-03: FOR 2.36[.093] THICK PCB (USE SUB-T-1M40-03-X)



* SEE TABLE 2 FOR AVAILABLE COMBINATIONS
 *** NOT RELEASED FOR PRODUCTION

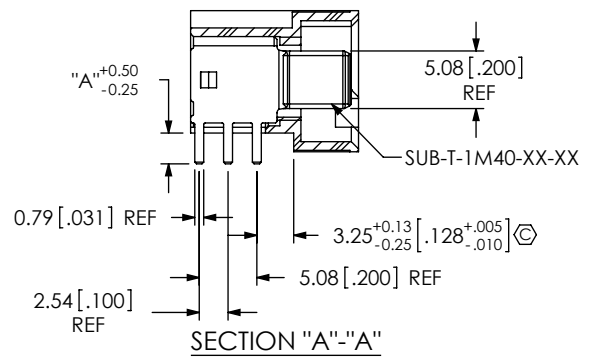
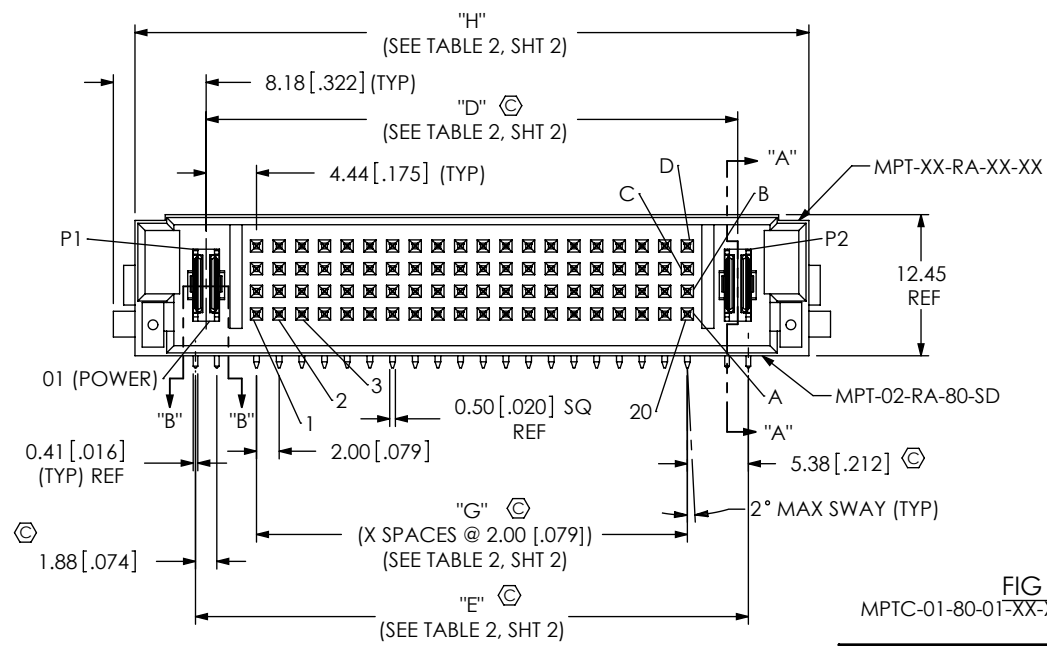


FIG 1
MPTC-01-80-01-XX-X-RA-SD SHOWN

TABLE 3

PLATING	POWER PIN CONTACT AREA	POWER PIN TAIL	SIGNAL PIN CONTACT AREA	SIGNAL PIN TAIL
-L	10 μ m GOLD	MATTE TIN	10 μ m GOLD	MATTE TIN
-T	MATTE TIN	MATTE TIN	10 μ m GOLD	MATTE TIN

UNLESS OTHERWISE SPECIFIED, DIMENSIONS ARE IN MILLIMETERS. TOLERANCES ARE:
 DECIMALS ANGLES
 .X: ± 0.3 [.01] 2°
 .XX: ± 0.13 [.005]
 .XXX: ± 0.051 [.0020]

PROPRIETARY NOTE
 THIS DOCUMENT CONTAINS INFORMATION CONFIDENTIAL AND PROPRIETARY TO SAMTEC, INC. AND SHALL NOT BE REPRODUCED OR TRANSFERRED TO OTHER DOCUMENTS OR DISCLOSED TO OTHERS OR USED FOR ANY PURPOSE OTHER THAN THAT WHICH IT WAS OBTAINED WITHOUT THE EXPRESSED WRITTEN CONSENT OF SAMTEC, INC.

samtec
 520 PARK EAST BLVD. NEW ALBANY, IN 47150
 PHONE: 812-944-6733 FAX: 812-948-5047
 e-Mail: info@SAMTEC.com code 55322

MATERIAL: DO NOT SCALE DRAWING
 INSULATOR: LCP, UL 94 V0, COLOR: BLACK
 TERMINAL: COPPER ALLOY
 LOCKING CLIP: COPPER ALLOY

SHEET SCALE: 1:5:1

DESCRIPTION:
 RIGHT ANGLE POWER TERMINAL

DWG. NO.
MPTC-XX-XX-XX-01-XX-X-RA-XX

BY: CLAY W 2/2/2007 SHEET 1 OF 3

PART NUMBER	BODY	SPACER BODY	POWER TERMINAL SUB-ASSEMBLY	SIGNAL TERMINAL				"A"
				TERMINAL 1	TERMINAL 2	TERMINAL 3	TERMINAL 4	
MPTC-XX-XX-XX-01-01-X-RA-XX	MPT-XX-RA-XX-XX	MP-XX-Q	SUB-T-1M40-01-X	T-1S68-01-L	T-1S68-02-L	T-1S68-03-L	T-1S68-04-L	2.72 [0.107]
MPTC-XX-XX-XX-01-03-X-RA-XX			SUB-T-1M40-03-X	T-1S68-03-L	T-1S68-03-L	T-1S68-11-L	T-1S68-11-L	3.51 [0.138]

PART NUMBER	BODY	"B"	"C"	"D"	"E"	"F"	"G"	"H"	"J"
MPTC-01-80-01-01-XX-X-RA-XX	MPT-02-RA-80-XX	63.25 [2.490]	58.17 [2.290]	46.88 [1.846]	48.77 [1.920]	54.26 [2.136]	38.00 [1.496]	59.44 [2.340]	41.40 [1.630]
MPTC-02-80-02-01-XX-X-RA-XX	MPT-04-RA-80-XX	73.25 [2.884]	68.17 [2.684]	56.88 [2.239]	58.77 [2.314]	64.26 [2.530]	38.00 [1.496]	69.44 [2.734]	41.40 [1.630]
MPTC-01-24-01-01-XX-X-RA-XX	MPT-02-RA-24-XX	35.25 [1.388]	30.17 [1.188]	18.88 [0.743]	20.77 [0.818]	26.26 [1.034]	10.00 [0.394]	31.44 [1.238]	13.40 [0.528]
MPTC-02-24-02-01-XX-X-RA-XX	MPT-04-RA-24-XX	45.25 [1.781]	40.17 [1.581]	28.88 [1.137]	30.77 [1.211]	38.01 [1.496]	10.00 [0.394]	41.44 [1.631]	13.40 [0.528]
MPTC-02-16-02-01-XX-X-RA-XX	MPT-04-RA-16-XX	41.25 [1.624]	36.17 [1.424]	24.88 [0.980]	26.77 [1.054]	32.26 [1.270]	6.00 [0.236]	37.44 [1.474]	9.40 [0.370]
***MPTC-03-24-00-01-XX-X-RA-XX	MPT-03-RA-24-XX-PS	41.25 [1.624]	36.17 [1.424]	N/A	N/A	32.26 [1.270]	10.00 [0.394]	37.44 [1.474]	13.40 [0.528]
***MPTC-04-24-00-01-XX-X-RA-XX	MPT-04-RA-24-XX-PS	46.25 [1.821]	41.17 [1.621]	N/A	N/A	37.26 [1.467]	10.00 [0.394]	42.44 [1.671]	13.40 [0.528]
***MPTC-03-20-00-01-XX-X-RA-XX	MPT-03-RA-20-XX-PS	39.25 [1.545]	34.17 [1.345]	N/A	N/A	30.26 [1.191]	8.00 [0.315]	35.44 [1.395]	11.40 [0.449]
***MPTC-04-20-00-01-XX-X-RA-XX	MPT-04-RA-20-XX-PS	44.25 [1.742]	39.17 [1.542]	N/A	N/A	35.26 [1.388]	8.00 [0.315]	40.44 [1.592]	11.40 [0.449]
***MPTC-03-16-00-01-XX-X-RA-XX	MPT-03-RA-16-XX-PS	37.25 [1.467]	32.17 [1.267]	N/A	N/A	28.26 [1.113]	6.00 [0.236]	33.44 [1.317]	9.40 [0.370]
***MPTC-04-16-00-01-XX-X-RA-XX	MPT-04-RA-16-XX-PS	42.25 [1.663]	37.17 [1.463]	N/A	N/A	33.26 [1.309]	6.00 [0.236]	38.44 [1.513]	9.40 [0.370]
***MPTC-03-12-00-01-XX-X-RA-XX	MPT-03-RA-12-XX-PS	35.25 [1.388]	30.17 [1.188]	N/A	N/A	26.26 [1.034]	4.00 [0.157]	31.44 [1.238]	7.40 [0.291]
***MPTC-04-12-00-01-XX-X-RA-XX	MPT-04-RA-12-XX-PS	40.25 [1.585]	35.17 [1.385]	N/A	N/A	31.26 [1.231]	4.00 [0.157]	36.44 [1.435]	7.40 [0.291]

*** = NOT RELEASED

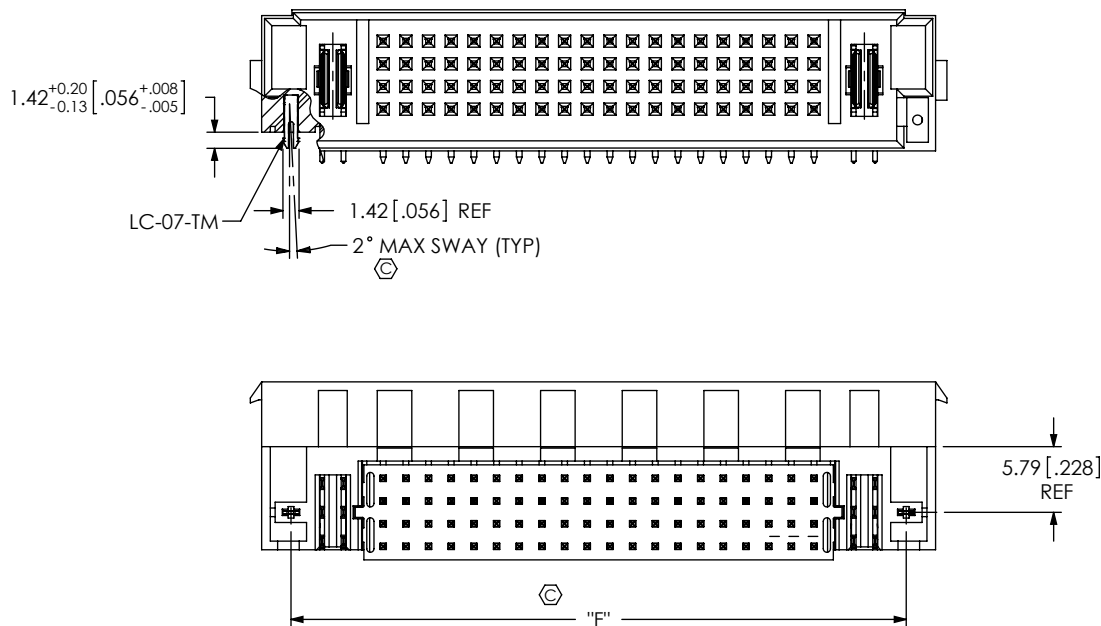
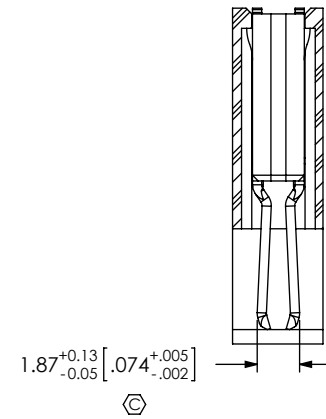
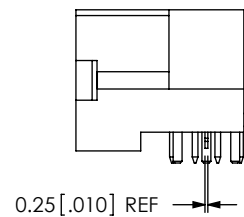


FIG 2
MPTC-01-80-01-01-XX-X-RA-LC SHOWN
(SAME AS FIG 1, UNLESS OTHERWISE STATED)

F:\DWG\MISC\MKTG\MPTC-XX-XX-XX-01-XX-X-RA-XX-MKT.SLDDRW



SECTION "B"- "B"
SCALE 3 : 1

PROPRIETARY NOTE
THIS DOCUMENT CONTAINS INFORMATION
CONFIDENTIAL AND PROPRIETARY TO
SAMTEC, INC. AND SHALL NOT BE REPRODUCED
OR TRANSFERRED TO OTHER DOCUMENTS OR
DISCLOSED TO OTHERS OR USED FOR ANY
PURPOSE OTHER THAN THAT WHICH IT WAS
OBTAINED WITHOUT THE EXPRESSED WRITTEN
CONSENT OF SAMTEC, INC.

DO NOT SCALE DRAWING

SHEET SCALE: 1.5:1

samtec

520 PARK EAST BLVD. NEW ALBANY, IN 47150
PHONE: 812-944-6733 FAX: 812-948-5047
e-Mail: info@SAMTEC.com code 55322

DESCRIPTION:
RIGHT ANGLE POWER TERMINAL

DWG. NO.
MPTC-XX-XX-XX-01-XX-X-RA-XX

BY: CLAY W 2/2/2007 SHEET 2 OF 3

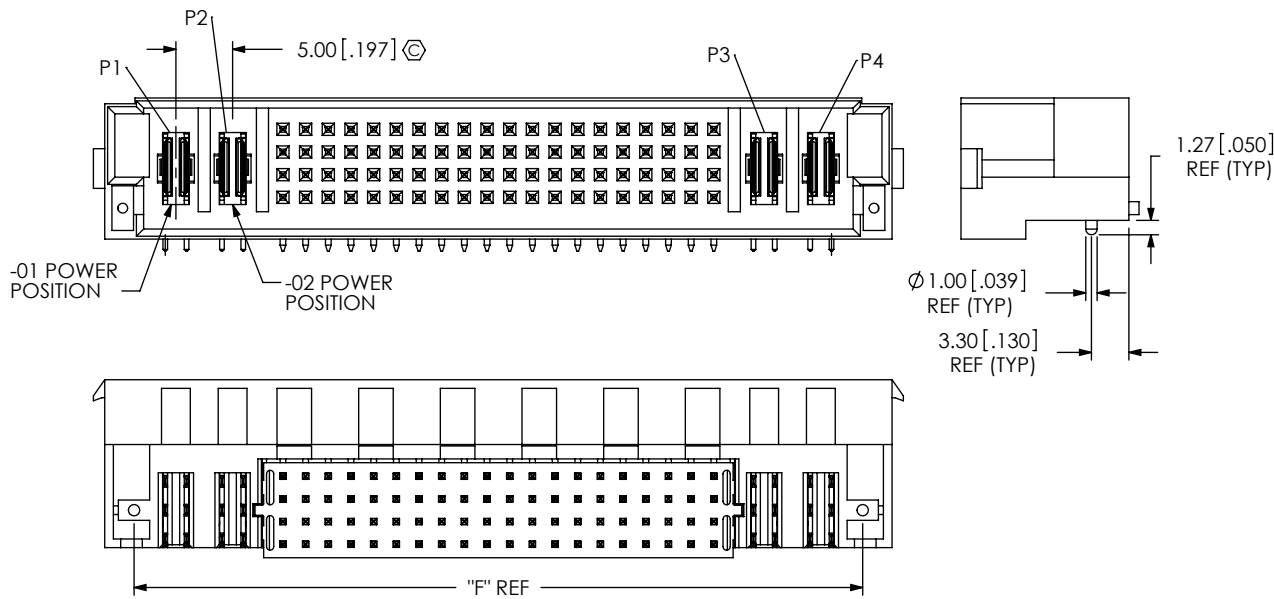
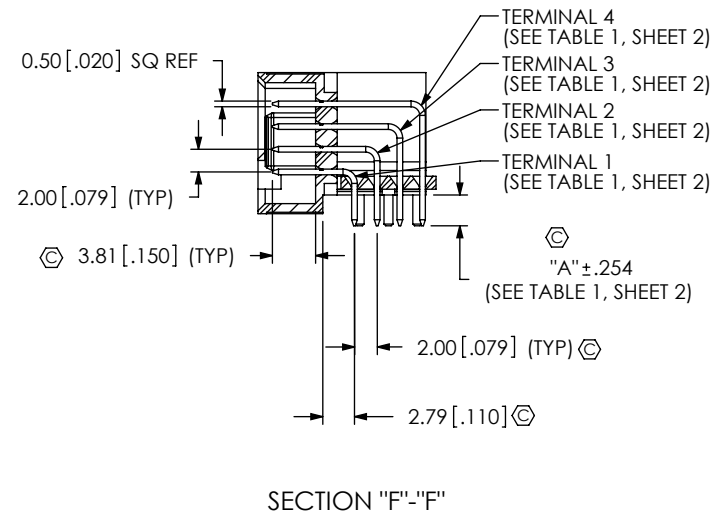


FIG 3
MPTC-02-80-02-01-XX-X-RA SHOWN
(SAME AS FIG 1, UNLESS OTHERWISE STATED)
(SEE NOTE 6)



SECTION "F"-"F"

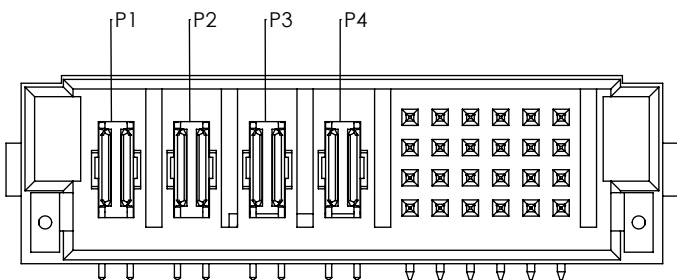
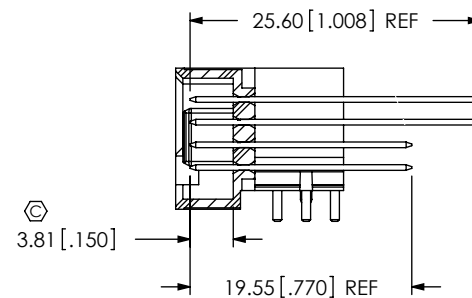


FIG 5
***MPTC-04-24-00-01-XX-X-RA-LC SHOWN
(SAME AS FIG 2, UNLESS OTHERWISE STATED)
*** NOT RELEASED



IN-PROCESS

PROPRIETARY NOTE
THIS DOCUMENT CONTAINS INFORMATION
CONFIDENTIAL AND PROPRIETARY TO
SAMTEC, INC. AND SHALL NOT BE REPRODUCED
OR TRANSFERRED TO OTHER DOCUMENTS OR
DISCLOSED TO OTHERS OR USED FOR ANY
PURPOSE OTHER THAN THAT WHICH IT WAS
OBTAINED WITHOUT THE EXPRESSED WRITTEN
CONSENT OF SAMTEC, INC.

DO NOT SCALE DRAWING

SHEET SCALE: 1.5:1

samtec

520 PARK EAST BLVD, NEW ALBANY, IN 47150
PHONE: 812-944-6733 FAX: 812-948-5047
e-Mail: info@SAMTEC.com code 55322

DESCRIPTION:
RIGHT ANGLE POWER TERMINAL

DWG. NO.
MPTC-XX-XX-XX-01-XX-X-RA-XX

BY: CLAY W 2/2/2007 SHEET 3 OF 3

Mouser Electronics

Authorized Distributor

Click to View Pricing, Inventory, Delivery & Lifecycle Information:

[Samtec:](#)

[MPTC-01-16-01-01-01-L-RA-SD](#)