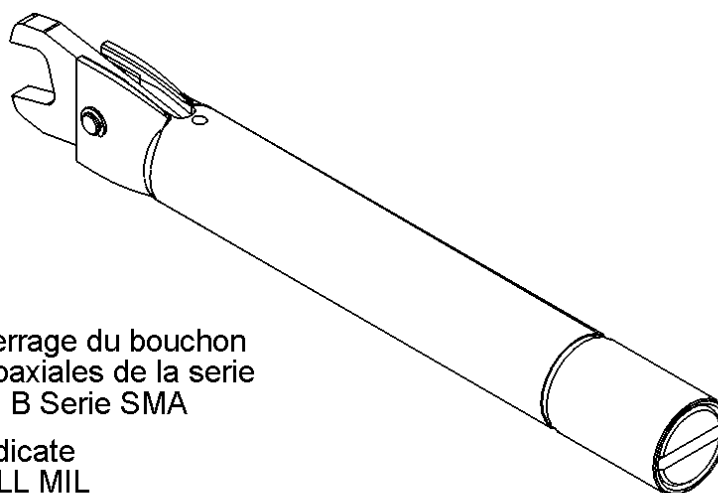
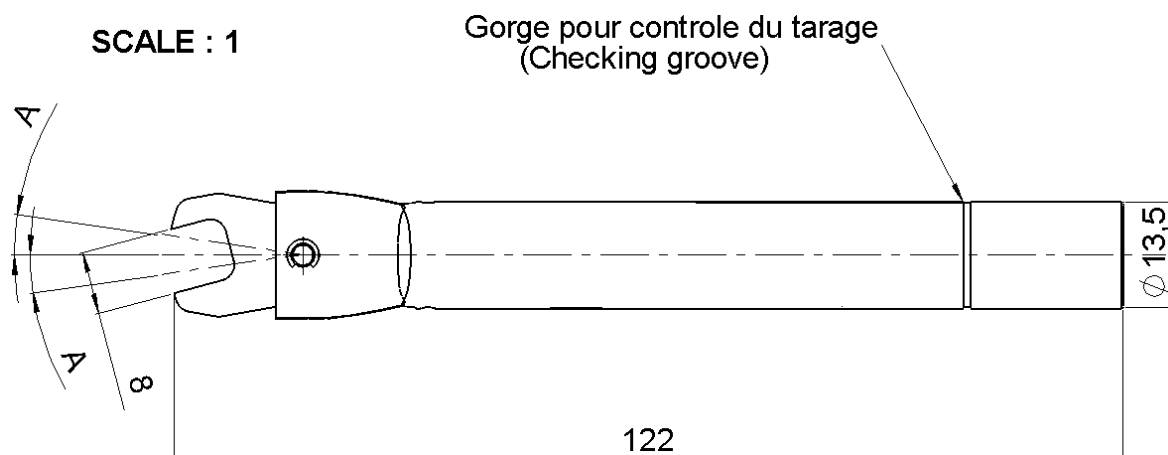


**TORQUE WRENCH****R282.320.000****8 MM - 80 to 120 N.cm**Series : **OUT**

Cette clé est destinée au serrage du bouchon  
du connecteur des fiches coaxiales de la serie  
RADIALL MIL - C -39012 B Serie SMA

( This torque wrench is dedicate  
for SMA serie plug RADIALL MIL  
-C-39012 B coupling nut tightening )

**OPERATION**

The torque wrench is designed to automatically make a « click sound ».

The wrench will work the same in both directions.

Be careful : DO NOT APPLY PRESSURE to the wrench AFTER hearing the click sound, it will possibly damage the connector.

**ENSURE PROPER TORQUE**

Apply verification force at the groove level on the handle.

- Coupling torque 100Ncm +/-20Ncm
- A A' angular sweep approximately 8°

Issue : 0635 J

In the effort to improve our products, we reserve the right to make changes judged to be necessary.



# Mouser Electronics

Authorized Distributor

Click to View Pricing, Inventory, Delivery & Lifecycle Information:

[Radial:](#)

[R282320000](#)