

# PCB ASSEMBLY AIDS

## Printed Circuit Board Hole Plugs

- Prevents solder from reaching top of PCBs
- Simple press-in use without tools, easy to remove by hand
- Withstands wave, dip or hand soldering temperatures; will not contaminate solder
- Low in cost, re-usable, available from stock
- 9 Standard sizes fit holes from .016" - .500" (.41-12.7) diameter

Designed to prevent solder from flowing through unused holes in PCBs, Bivar's PLUG-O-HOLE™ PCB hole plugs offer an economical solution to keep unwanted solder from reaching the top surfaces of PCBs. Low in cost, these convenient hole plugs are tapered for a snug fit, yet are simple to remove. Made of temperature resistant material, they will withstand flow, dip or hand soldering and are re-usable.

9 Standard sizes, ranging from .016" to .500" diameter, will fit most PCB holes. Protrusion above and below board surfaces will not interfere with solder process baths or conveyors.

### Standard Drawing Tolerances:

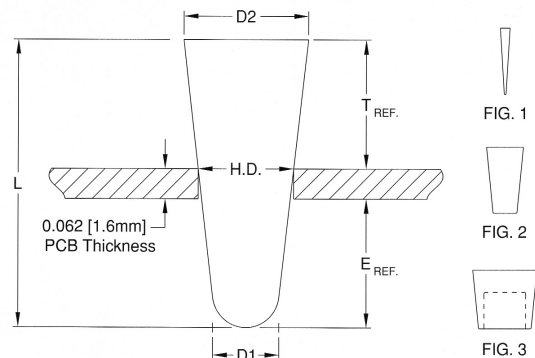
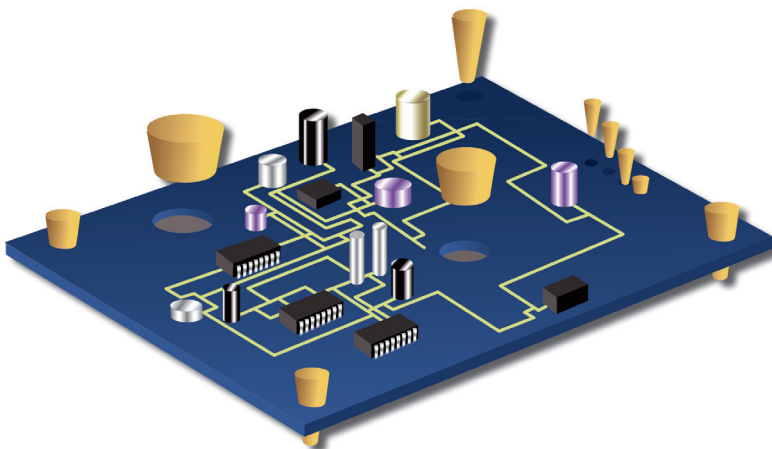
(unless otherwise indicated)

Fractions:  $\pm 1/64$  (0.4) .XX =  $\pm 0.01$  (0.25)

.X =  $\pm 0.10$  (2.5) .XXX =  $\pm 0.005$  (0.13)



Part No.	FIG.	D1	H.D.	D2	T	E	L $\pm .015$	Color	Price Code
POH-1	1	0.012 (.03)	0.025 (0.6)	0.047 (1.2)	0.31 (7.9)	0.13 (3.2)	0.500 (12.7)	Black	Z
POH-2	1	0.015 (0.4)	0.050 (1.3)	0.082 (2.1)	0.31 (7.9)	0.17 (4.4)	0.545 (13.8)	Black	Z
POH-3S	2	0.040 (1.0)	0.100 (2.5)	0.160 (4.1)	0.31 (7.9)	0.22 (5.6)	0.585 (14.9)	Black	I
POH-4S	2	0.090 (2.3)	0.150 (3.8)	0.209 (5.3)	0.31 (7.9)	0.22 (5.6)	0.585 (14.9)	Black	K
POH-5S	2	0.140 (3.6)	0.200 (5.1)	0.261 (6.6)	0.31 (7.9)	0.22 (5.6)	0.585 (14.9)	Black	C
POH-6S	2	0.200 (5.1)	0.250 (6.4)	0.309 (7.8)	0.31 (7.9)	0.17 (4.4)	0.540 (13.7)	Black	BB
POH-7S	3	0.261 (6.6)	0.312 (7.9)	0.355 (9.0)	0.25 (6.4)	0.17 (4.4)	0.475 (12.1)	Black	CC
POH-8S	3	0.320 (8.1)	0.375 (9.5)	0.420 (10.7)	0.25 (6.4)	0.17 (4.4)	0.475 (12.1)	Black	EE
POH-9S	3	0.443 (11.3)	0.500 (12.7)	0.539 (13.7)	0.25 (6.4)	0.17 (4.4)	0.475 (12.1)	Black	KK



# Mouser Electronics

Authorized Distributor

Click to View Pricing, Inventory, Delivery & Lifecycle Information:

[BIVAR:](#)

[POH-1](#) [POH-2](#)