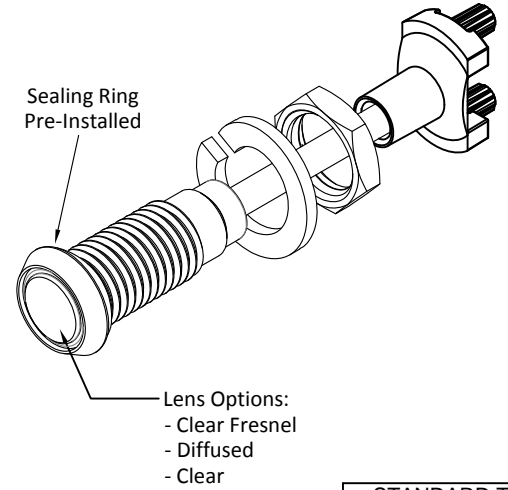
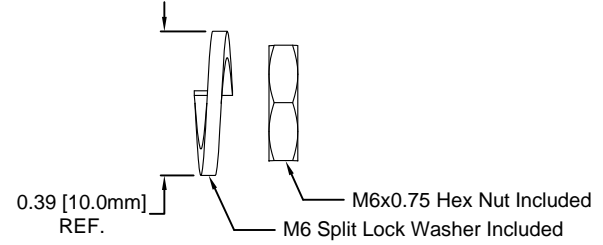
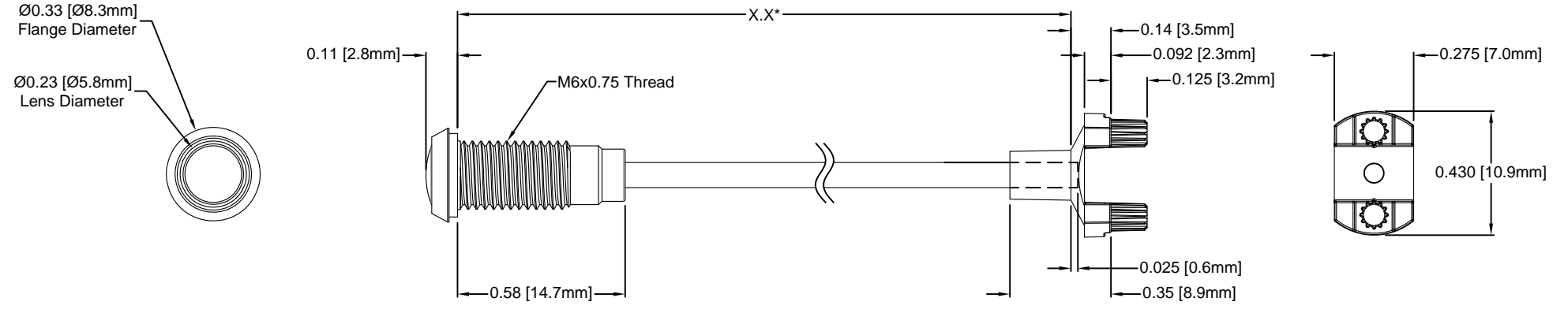


REV.	DESCRIPTION	DATE	APPROVED
A	Engineering Release	05/12/17	J. C.

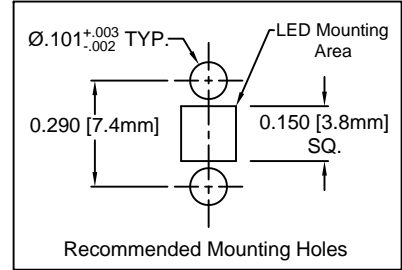
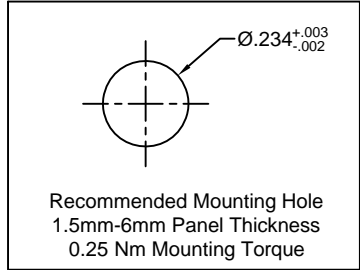
*Length "X.X"	Tolerance
2.0" ~ 16.0"	±0.05"
16.1" ~ 40.0"	±0.15"
40.1" ~ 80.0"	±0.30"
80.1" ~ 500.0"	±0.5%



Part Number Configuration  
**SF2-6.5-F6PX67PR**

— Lens Options:  
 Z – Clear Fresnel  
 D – Diffused  
 Blank – Clear

— Length in 0.1"  
 Increments Only



- NOTES:**
1. SEALED TO IP67 RATING
  2. ROHS COMPLIANT
  3. MOUNTING HARDWARE AND ADAPTER SHIPPED NON-ASSEMBLED
  4. MINIMUM BEND RADIUS OF FLEXIBLE LIGHT PIPE: 0.87" [22mm]

STANDARD TOLERANCE (UNLESS OTHERWISE SPECIFIED)		BIVAR®	
DECIMALS	ANGULAR	4 THOMAS, IRVINE, CA. 92618	
.X ± .1	X° ± 1°	TEL: (949) 951-8808 FAX: (949) 951-3974	
.XX ± .02		<b>TITLE:</b> IP67 RATED PANEL MOUNT FLP INDICATOR, SMFLP	
.XXX ± .010		<b>PART NO:</b> SF2-X.X-F6PX67PR	
DESIGNED: <b>TD. Nguyen</b>	DATE: <b>04/30/17</b>	<b>REVISION:</b> <b>A</b>	
CHECKED: <b>K. Baron</b>	DATE: <b>04/30/17</b>	<b>CAGE CODE :</b> 32559	<b>SHEET # 1 OF 1</b>
CAD GENERATED DOCUMENT. DO NOT MEASURE DRAWING.			

# Mouser Electronics

Authorized Distributor

Click to View Pricing, Inventory, Delivery & Lifecycle Information:

[BIVAR:](#)

[SF2-6.0-F6P67PR](#) [SF2-6.0-F6PD67PR](#) [SF2-6.0-F6PZ67PR](#)