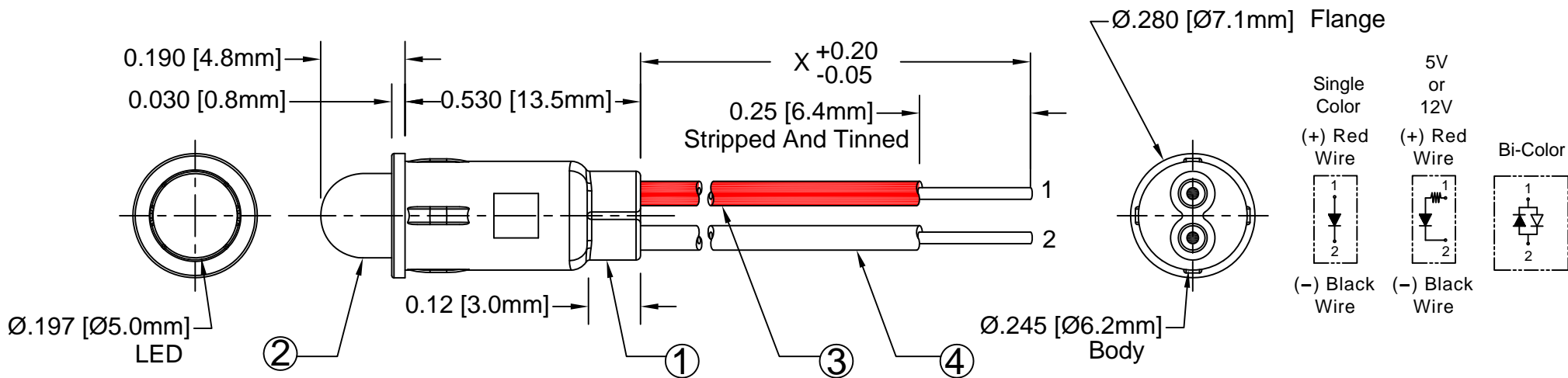


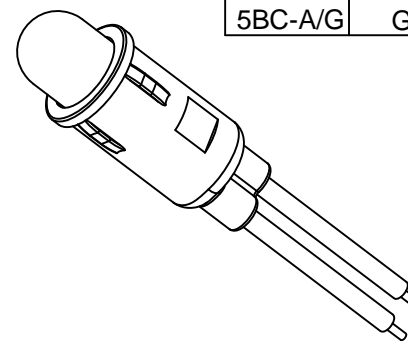
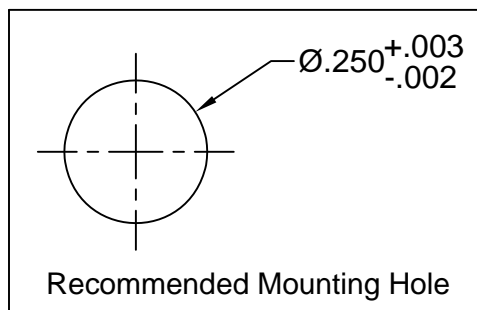
| ITEM | Q'TY | PART NUMBER | PART DESCRIPTION |
|------|------|---------------|---|
| 1 | 1 | PM5-XXX | LED Holder, Panel Mount, Press Fit, (5mm) PM5 (Standard LED), PM5-5V (5V LED), & PM5-12V (12V LED) |
| 2 | 1 | 5XX | T1 3/4 (5mm) Non-Flange LED, See Following Pages |
| 3 | 1 | BWS24-1007-RD | 24AWG Wire Lead U.L. 1007, Red |
| 4 | 1 | BWS24-1007-BK | 24AWG Wire Lead U.L. 1007, Black |

| REV. | DESCRIPTION | DATE | APPROVED |
|------|-------------------------------------|----------|----------|
| E | Added 5WC2.520 & 5WC4.030 Specs | 06/29/09 | T. Y. |
| F | Added 5WC7.015 & 5XRC8.515 Specs | 10/01/09 | T. Y. |
| G | Added 5BC-Y/G Specs | 02/09/10 | T. Y. |
| H | Updated LED Offering | 05/03/12 | T. Y. |
| J | Updated BOM item 1 | 11/13/12 | T. Y. |
| K | Corrected LED P/N Typo in Table | 04/23/14 | J. C. |
| L | Updated LED Optical Characteristics | 09/15/15 | J. C. |



| BI-COLOR POLARITY | | |
|-------------------|-------------|-------------|
| LED P/N | (1) Cathode | (2) Cathode |
| 5BC | Green | Red |
| 5BC-Y/G | Green | Yellow |
| 5BC-R/Y | Yellow | Red |
| 5BC-A/G | Green | Amber |

EXAMPLE:
PM5RDW6.5*
 — Wire Length in inches
 — LED Color & Lens Appearance.
 — Series


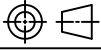


ABSOLUTE MAXIMUM RATINGS ($T_a = 25^\circ\text{C}$)


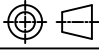
| | | |
|--|-------|---|
| REVERSE VOLTAGE | _____ | 5V |
| REVERSE CURRENT ($V_R=5V$) | _____ | 100 μA |
| OPERATING TEMPERATURE RANGE | _____ | -25 $^\circ\text{C}$ ~ 85 $^\circ\text{C}$ |
| STORAGE TEMPERATURE | _____ | -30 $^\circ\text{C}$ ~ 100 $^\circ\text{C}$ |
| LEAD SOLDERING TEMPERATURE (1/16" FROM BODY) | _____ | 260 $^\circ\text{C}$ for 5 Seconds |

| STANDARD TOLERANCE (UNLESS OTHERWISE SPECIFIED) | | BIVAR [®] | |
|--|--------------------------|---|--|
| DECIMALS | ANGULAR | 4 THOMAS, IRVINE, CA. 92618 | |
| .X $\pm .1$ | X $^\circ$ $\pm 1^\circ$ | TEL: (949) 951-8808 FAX: (949) 951-3974 | |
| .XX $\pm .02$ | | TITLE: STD PANEL MOUNT INDICATORS W/ WIRES | |
| .XXX $\pm .010$ | | PART NO: PM5XXWX.X | |
| DESIGNED: David Green | DATE: 10/06/04 | REVISION: L | |
| CHECKED: T. Yin | DATE: 10/06/04 | CAGE CODE : 32559 SHEET # 1 OF 4 | |
| CAD GENERATED DOCUMENT. DO NOT MEASURE DRAWING. | | | |

| LED Assy.No. | Chip | | | Lens Appearance | Electro-Optical Data @20mA | | | | Viewing Angle 2 θ 1/2 (Deg) | LED P/N | |
|---------------|-----------|------------------|---------------|-----------------|----------------------------|--------|-----|----------|-----------------------------|---------|-----|
| | Material | Peak Wave Length | Emitted Color | | If (mA) | Vf (V) | | Iv (mcd) | | | |
| | | | | | | MAX | TYP | MAX | | | TYP |
| PM5BWCWX.X | GaN/SiC | 430 | BLUE | WATER CLEAR | 25 | 4.0 | 4.5 | 25 | 20 | 5BWC | |
| PM5BWDWX.X | GaN/SiC | 430 | BLUE | DIFFUSED | 25 | 4.0 | 4.5 | 15 | 45 | 5BWD | |
| PM5BWTWX.X | GaN/SiC | 430 | BLUE | TINTED | 25 | 4.0 | 4.5 | 30 | 20 | 5BWT | |
| PM5GCW.X.X | GaP/GaP | 568 | GREEN | WATER CLEAR | 30 | 2.1 | 2.8 | 40 | 35 | 5GC | |
| PM5GDWX.X | GaP/GaP | 568 | GREEN | DIFFUSED | 30 | 2.1 | 2.8 | 25 | 45 | 5GD | |
| PM5GTWX.X | GaP/GaP | 568 | GREEN | TINTED | 30 | 2.1 | 2.8 | 40 | 35 | 5GT | |
| PM5PGCW.X | GaP/GaP | 555 | PURE GREEN | WATER CLEAR | 30 | 2.2 | 2.8 | 10 | 35 | 5PGC | |
| PM5PGDWX.X | GaP/GaP | 555 | PURE GREEN | DIFFUSED | 30 | 2.2 | 2.8 | 10 | 45 | 5PGD | |
| PM5PGTWX.X | GaP/GaP | 555 | PURE GREEN | TINTED | 30 | 2.2 | 2.8 | 10 | 35 | 5PGT | |
| PM5YCW.X | GaAsp/GaP | 590 | YELLOW | WATER CLEAR | 30 | 2.0 | 2.8 | 40 | 35 | 5YC | |
| PM5YDWX.X | GaAsp/GaP | 590 | YELLOW | DIFFUSED | 30 | 2.0 | 2.8 | 25 | 45 | 5YD | |
| PM5YTWX.X | GaAsp/GaP | 590 | YELLOW | TINTED | 30 | 2.0 | 2.8 | 40 | 35 | 5YT | |
| PM5ACWX.X | GaAsp/GaP | 605 | AMBER | WATER CLEAR | 30 | 2.0 | 2.8 | 40 | 35 | 5AC | |
| PM5ADWX.X | GaAsp/GaP | 605 | AMBER | DIFFUSED | 30 | 2.0 | 2.8 | 25 | 45 | 5AD | |
| PM5ATWX.X | GaAsp/GaP | 605 | AMBER | TINTED | 30 | 2.0 | 2.8 | 40 | 35 | 5AT | |
| PM5HCWX.X | GaAsp/GaP | 625 | HE RED | WATER CLEAR | 30 | 2.0 | 2.8 | 40 | 35 | 5HC | |
| PM5HDWX.X | GaAsp/GaP | 625 | HE RED | DIFFUSED | 30 | 2.0 | 2.8 | 25 | 45 | 5HD | |
| PM5HTWX.X | GaAsp/GaP | 625 | HE RED | TINTED | 30 | 2.0 | 2.8 | 40 | 35 | 5HT | |
| PM5RCWX.X | GaP/GaP | 700 | RED | WATER CLEAR | 20 | 2.1 | 2.8 | 2 | 35 | 5RC | |
| PM5RDWX.X | GaP/GaP | 700 | RED | DIFFUSED | 20 | 2.1 | 2.8 | 2 | 45 | 5RD | |
| PM5RTWX.X | GaP/GaP | 700 | RED | TINTED | 20 | 2.1 | 2.8 | 2 | 35 | 5RT | |
| PM5BCWX.X-A/G | GaAsp/GaP | 605 | AMBER | WHITE DIFFUSED | 30 | 2.0 | 2.8 | 6 | 45 | 5BC-A/G | |
| | GaP/GaP | 568 | GREEN | | 30 | 2.1 | 2.8 | 6 | | | |
| PM5BCWX.X | GaAsp/GaP | 625 | RED | WHITE DIFFUSED | 30 | 2.0 | 2.8 | 6 | 45 | 5BC | |
| | GaP/GaP | 568 | GREEN | | 30 | 2.1 | 2.8 | 8 | | | |
| PM5BCWX.X-R/Y | GaAsp/GaP | 625 | RED | WHITE DIFFUSED | 30 | 2.0 | 2.8 | 6 | 45 | 5BC-R/Y | |
| | GaP/GaP | 590 | YELLOW | | 30 | 2.0 | 2.8 | 5 | | | |
| PM5BCWX.X-Y/G | GaAsp/GaP | 590 | YELLOW | WHITE DIFFUSED | 30 | 2.0 | 2.8 | 5 | 45 | 5BC-Y/G | |
| | GaP/GaP | 568 | GREEN | | 30 | 2.1 | 2.8 | 8 | | | |


| | | | |
|---|--|--|--|
| STANDARD TOLERANCE (UNLESS OTHERWISE SPECIFIED) ±10% ALL VALUES | |  BIVAR [®] 4 THOMAS, IRVINE, CA. 92618 TEL: (949) 951-8808 FAX: (949) 951-3974 | |
| ANGULAR X° ± 1° | | | |
| DESIGNED: David Green | |  TITLE: STD PANEL MOUNT INDICATORS W/ WIRES | |
| DATE: 10/06/04 | | PART NO: PM5XXWX.X | |
| CHECKED: T. Yin | | REVISION: L | |
| DATE: 10/06/04 | | CAGE CODE : 32559 | |
| | | SHEET # 2 OF 4 | |
| CAD GENERATED DOCUMENT. DO NOT MEASURE DRAWING. | | | |

| LED Assy.No. | Chip | | | Lens Appearance | Electro-Optical Data @20mA | | | | Viewing Angle 2 θ 1/2 (Deg) | LED P/N |
|--------------|-------------|------------------|---------------|-----------------|----------------------------|--------|-----|----------|-----------------------------------|-----------|
| | Material | Peak Wave Length | Emitted Color | | If (mA) | Vf (V) | | Iv (mcd) | | |
| | | | | | | MAX | TYP | | | |
| PM5UBWCWX.X | InGaN/SiC | 468 | BLUE | WATER CLEAR | 50 | 3.2 | 3.6 | 5000 | 15 | 5BWC2.515 |
| PM5SGCWX.X | GaP/GaP | 568 | GREEN | WATER CLEAR | 30 | 2.1 | 2.8 | 60 | 35 | 5SGC |
| PM5SGDWX.X | GaP/GaP | 568 | GREEN | DIFFUSED | 30 | 2.1 | 2.8 | 50 | 40 | 5SGD |
| PM5SGTWX.X | GaP/GaP | 568 | GREEN | TINTED | 30 | 2.1 | 2.8 | 60 | 35 | 5SGT |
| PM5SYCWX.X | GaAsP/GaP | 590 | YELLOW | WATER CLEAR | 30 | 2.0 | 2.8 | 600 | 35 | 5SYC |
| PM5SYDWX.X | GaAsP/GaP | 590 | YELLOW | DIFFUSED | 30 | 2.0 | 2.8 | 150 | 40 | 5SYD |
| PM5SYTWX.X | GaAsP/GaP | 590 | YELLOW | TINTED | 30 | 2.0 | 2.8 | 600 | 35 | 5SYT |
| PM5SRCWX.X | GaAIAs/GaAs | 645 | SUPER RED | WATER CLEAR | 30 | 1.7 | 2.4 | 60 | 35 | 5SRC |
| PM5SRDWX.X | GaAIAs/GaAs | 645 | SUPER RED | DIFFUSED | 30 | 1.7 | 2.4 | 40 | 40 | 5SRD |
| PM5SRTWX.X | GaAIAs/GaAs | 645 | SUPER RED | TINTED | 30 | 1.7 | 2.4 | 60 | 35 | 5SRT |
| PM5UGCWX.X | AlGaInP | 570 | GREEN | WATER CLEAR | 30 | 2.1 | 2.4 | 600 | 35 | 5UGC |
| PMTSUGCWX.X | AlGaInP | 570 | GREEN | WATER CLEAR | 30 | 2.1 | 2.4 | 300 | 35 | 5SUGC |
| PM5UYCWX.X | AlGaInP | 590 | YELLOW | WATER CLEAR | 30 | 2.0 | 2.4 | 1000 | 30 | 5UYC |
| PM5SUYCWX.X | AlGaInP | 590 | YELLOW | WATER CLEAR | 30 | 2.0 | 2.4 | 700 | 35 | 5SUYC |
| PM5UOCWX.X | AlGaInP | 590 | YELLOW | WATER CLEAR | 30 | 2.0 | 2.4 | 500 | 35 | 5UUYC |
| PM5UOCWX.X | AlGaInP | 625 | ORANGE | WATER CLEAR | 30 | 1.8 | 2.4 | 1400 | 35 | 5UOC |
| PM5SUOCWX.X | AlGaInP | 625 | ORANGE | WATER CLEAR | 30 | 1.8 | 2.4 | 1300 | 35 | 5SUOC |
| PM5URCWX.X | GaAIAs/GaAs | 645 | RED | WATER CLEAR | 30 | 1.7 | 2.4 | 400 | 30 | 5URC |
| PM5SURCWX.X | AlGaInP | 640 | RED | WATER CLEAR | 30 | 1.8 | 2.4 | 500 | 35 | 5SURC |
| PM5UWCWX.X | InGaN/SiC | 6500K | WHITE | WATER CLEAR | 100 | 3.5 | 4.2 | 2700 | 30 | 5WC2.730 |

| | | | |
|---|--------------------------|---|-----------------------|
| STANDARD TOLERANCE (UNLESS OTHERWISE SPECIFIED) ±10% ALL VALUES ANGULAR X° ± 1° | |  BIVAR [®] 4 THOMAS, IRVINE, CA. 92618 TEL: (949) 951-8808 FAX: (949) 951-3974 | |
|  | | | |
| DESIGNED: David Green | DATE: 10/06/04 | PART NO: PM5XXWX.X | |
| CHECKED: T. Yin | DATE: 10/06/04 | CAGE CODE : 32559 | SHEET # 3 OF 4 |
| CAD GENERATED DOCUMENT. DO NOT MEASURE DRAWING. | | | |

| LED Assy. No. | Peak Wave Length λ_p (nm) | Emitted Color | Lens Appearance | Max. Rating | Electro-Optical Data @ 2mA | | | Viewing Angle 2 θ 1/2 (Deg) | LED P/N |
|---------------|--------------------------------------|---------------|-----------------|-------------|----------------------------|-----|----------|--|---------|
| | | | | If (mA) | Vf (V) | | Iv (mcd) | | |
| | | | | MAX | TYP | MAX | TYP | | |
| PM5BWDLWX.X | 430 | BLUE | DIFFUSED | 7 | 3.8 | 4.2 | 4 | 45 | 5BWDL |
| PM5PGDLWX.X | 555 | PURE GREEN | DIFFUSED | 7 | 2.1 | 2.6 | 1 | 45 | 5PGDL |
| PM5GDLWX.X | 568 | GREEN | DIFFUSED | 7 | 2.1 | 2.6 | 5 | 45 | 5GDL |
| PM5YDLWX.X | 590 | YELLOW | DIFFUSED | 7 | 2.0 | 2.6 | 4 | 45 | 5YDL |
| PM5ADLWX.X | 605 | AMBER | DIFFUSED | 7 | 2.0 | 2.6 | 4 | 45 | 5ADL |
| PM5HDLWX.X | 625 | HE RED | DIFFUSED | 7 | 2.0 | 2.6 | 5 | 45 | 5HDL |
| PM5SRDLWX.X | 645 | SUPER RED | DIFFUSED | 7 | 1.7 | 2.3 | 6 | 45 | 5SRDL |

| LED Assy. No. | Peak Wave Length λ_p (nm) | Emitted Color | Lens Appearance | Electro-Optical Data | | | | Viewing Angle 2 θ 1/2 (Deg) | LED P/N |
|----------------|--------------------------------------|---------------|-----------------|----------------------|--------|-----|----------|--|---------|
| | | | | If (mA) | Vf (V) | | Iv (mcd) | | |
| | | | | MAX | TYP | MAX | TYP | | |
| 5 Volt | | | | Data @ 5V | | | | | |
| PM5BWD5VWX.X | BLUE | 430 | DIFFUSED | - | - | 5 | 15 | 40 | 5BWD5V |
| PM5GC5VWX.X | GREEN | 568 | WATER CLEAR | - | - | 5 | 40 | 40 | 5GC5V |
| PM5GD5VWX.X | GREEN | 568 | DIFFUSED | - | - | 5 | 25 | 40 | 5GD5V |
| PM5GT5VWX.X | GREEN | 568 | TINTED | - | - | 5 | 40 | 40 | 5GT5V |
| PM5AD5VWX.X | AMBER | 605 | DIFFUSED | - | - | 5 | 25 | 40 | 5AD5V |
| PM5HD5VWX.X | HE RED | 625 | DIFFUSED | - | - | 5 | 30 | 40 | 5HD5V |
| PM5RD5VWX.X | RED | 700 | DIFFUSED | - | - | 5 | 1.5 | 40 | 5RD5V |
| PM5YD5VWX.X | YELLOW | 590 | DIFFUSED | - | - | 5 | 25 | 40 | 5YD5V |
| 12 Volt | | | | Data @ 12V | | | | | |
| PM5GC12VWX.X | GREEN | 568 | WATER CLEAR | - | - | 12 | 40 | 35 | 5GC12V |
| PM5GD12VWX.X | GREEN | 568 | DIFFUSED | - | - | 12 | 25 | 40 | 5GD12V |
| PM5HC12VWX.X | HE RED | 625 | WATER CLEAR | - | - | 12 | 50 | 35 | 5HC12V |
| PM5HD12VWX.X | HE RED | 625 | DIFFUSED | - | - | 12 | 30 | 40 | 5HD12V |
| PM5RC12VWX.X | RED | 700 | WATER CLEAR | - | - | 12 | 2 | 35 | 5RC12V |
| PM5RD12VWX.X | RED | 700 | DIFFUSED | - | - | 12 | 1.5 | 40 | 5RD12V |
| PM5YC12VWX.X | YELLOW | 590 | WATER CLEAR | - | - | 12 | 25 | 35 | 5YC12V |
| PM5YD12VWX.X | YELLOW | 590 | DIFFUSED | - | - | 12 | 20 | 40 | 5YD12V |

| | | | | |
|---|--|--------------------------|--|--|
| STANDARD TOLERANCE (UNLESS OTHERWISE SPECIFIED) $\pm 10\%$ ALL VALUES | | ANGULAR X° \pm 1° | |  BIVAR [®] 4 THOMAS, IRVINE, CA. 92618 TEL: (949) 951-8808 FAX: (949) 951-3974 |
| DESIGNED: David Green | | DATE: 10/06/04 | | |
| CHECKED: T. Yin | | DATE: 10/06/04 | | PART NO: PM5XXWX.X REVISION: L |
| | | CAGE CODE : 32559 | | SHEET # 4 OF 4 CAD GENERATED DOCUMENT. DO NOT MEASURE DRAWING. |

Mouser Electronics

Authorized Distributor

Click to View Pricing, Inventory, Delivery & Lifecycle Information:

BIVAR:

[PM5GD5VW12.0](#) [PM5GD5VW6](#) [PM5YD5VW6](#) [PM5AD5VW18](#) [PM5GD5VW14](#) [PM5GD5VW15](#) [PM5GD5VW17](#)
[PM5HD5VW14](#) [PM5HD5VW24](#) [PM5YD5VW18](#)