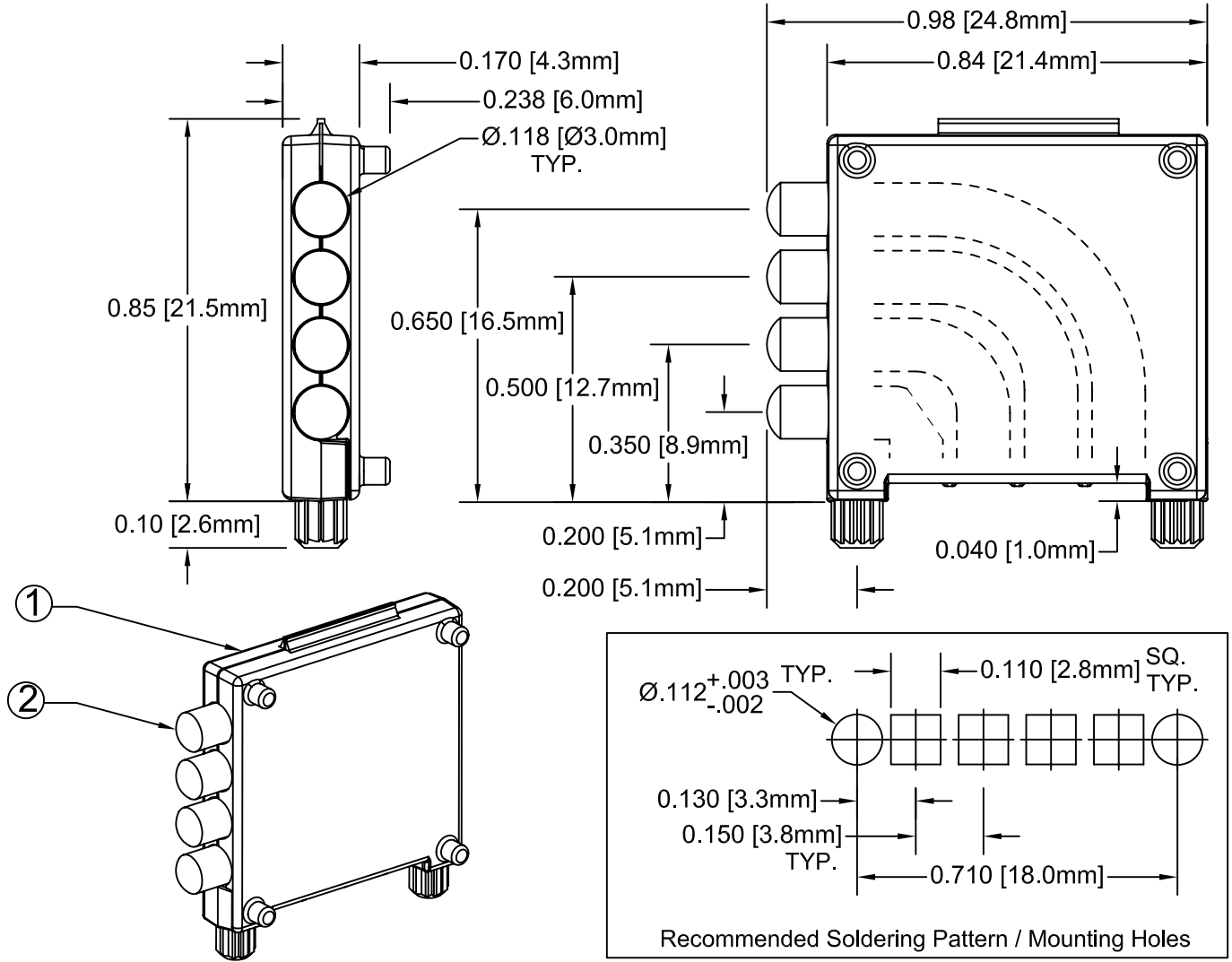


ITEM	Q'TY	PART NUMBER	PART DESCRIPTION
1	1	LP-4H	Shell, 4 High, Right Angle Light Pipe
2	1	LP-4EP	Light Pipe, 4 High, Right Angle, Extend Profile

REV.	DESCRIPTION	DATE	APPROVED
B	Engineering Update w/o Changes	03/08/04	M. C.
C	Added Note	05/16/08	M. C.



Note: Pre-Assembled and Ultrasonically Welded

STANDARD TOLERANCE (UNLESS OTHERWISE SPECIFIED)		BIVAR®	
DECIMALS	ANGULAR	4 THOMAS, IRVINE, CA. 92618	
.X ± .1	X° ± 1°	TEL: (949) 951-8808	FAX: (949) 951-3974
.XX ± .02		<b>TITLE:</b> QUAD-LEVEL LIGHT PIPE ASSEMBLY, EXTENDED LENS	
.XXX ± .010		<b>PART NO:</b> LP4-EP	<b>REVISION:</b> C
<b>DESIGNED:</b> Michael Chen	<b>DATE:</b> 08/26/02	<b>CAGE CODE:</b> 32559	<b>SHEET #</b> 1 OF 1
<b>CHECKED:</b> S. Irving	<b>DATE:</b> 08/26/02	CAD GENERATED DOCUMENT, DO NOT MEASURE DRAWING.	

# Mouser Electronics

Authorized Distributor

Click to View Pricing, Inventory, Delivery & Lifecycle Information:

[BIVAR:](#)

[LP4-EP](#)