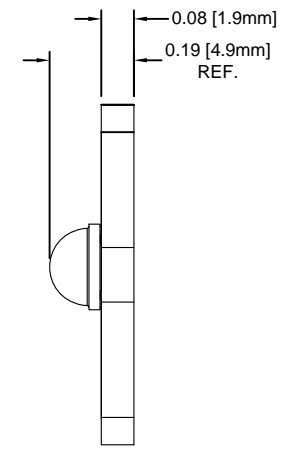
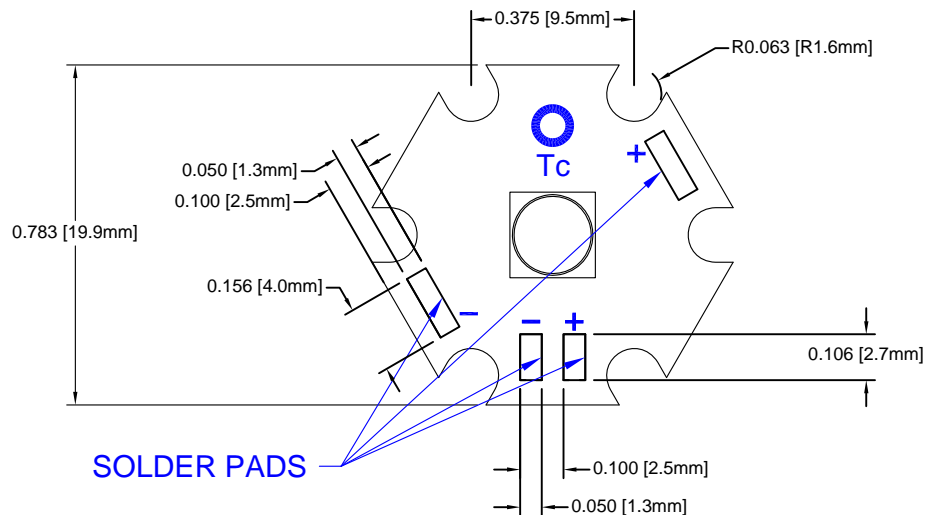


REV.	DESCRIPTION	DATE	APPROVED
F	Engineering Release	10/03/12	T. Y.
G	Added LED P/N	04/01/16	J. C.
H	Updated Tables	08/08/16	J. C.


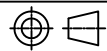


Part Number	CCT (K)	CRI	Typical Luminous Flux @ If = 400mA, Tc=70C (lm)	Typical Luminous Flux @ If = 750mA, Tc=100C (lm)	Typical DC Forward Current, Vf (V)	Viewing Angle (°)	LED P/N
L2-MLC1-S	6500	65	144	236	2.8 ~ 2.9	125	BDL-1436
L2-MLN1-S	4100	75	124	202	2.8 ~ 2.9	125	BDL-1437
L2-MLW1-S	3100	80	103	169	2.8 ~ 2.9	125	BDL-1438

Part Number	CCT (K)	CRI	Typical Luminous Flux @ If = 1000mA, Tc=110C (lm)	Typical Luminous Flux @ If = 3000mA, Tc=60C (lm)	Typical DC Forward Current, Vf (V)	Viewing Angle (°)	LED P/N
L2-MLC1-S	6500	65	281	660	3.0 ~ 3.3	125	BDL-1436
L2-MLN1-S	4100	75	241	566	3.0 ~ 3.3	125	BDL-1437
L2-MLW1-S	3100	80	201	472	3.0 ~ 3.3	125	BDL-1438

NOTES:

- BDL-1436: Reference Cree part number XMLAWT-00-0000-0000T6051 for characteristics.
- BDL-1437: Reference Cree part number XMLAWT-00-0000-000LT40E4 for characteristics.
- BDL-1438: Reference Cree part number XMLAWT-00-0000-000LT20E7 for characteristics.

STANDARD TOLERANCE (UNLESS OTHERWISE SPECIFIED)		 4 THOMAS, IRVINE, CA. 92618 TEL: (949) 951-8808 FAX: (949) 951-3974			
DECIMALS	ANGULAR				
.X ± .1	X° ± 1°	 TITLE: L2 Starboard Light Engine			
.XX ± .02					
.XXX ± .010		DESIGNED:	DATE:	PART NO: L2-MLXX-S CAGE CODE : 32559	REVISION: H SHEET # 1 OF 1
		B. Oliver	11/02/11		
		CHECKED:	DATE:	CAD GENERATED DOCUMENT. DO NOT MEASURE DRAWING.	
		M. Chen	11/02/11		

Mouser Electronics

Authorized Distributor

Click to View Pricing, Inventory, Delivery & Lifecycle Information:

[BIVAR:](#)

[L2-MLN1-S](#) [L2-MLW1-S](#) [L2-MLC1-S](#)