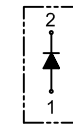
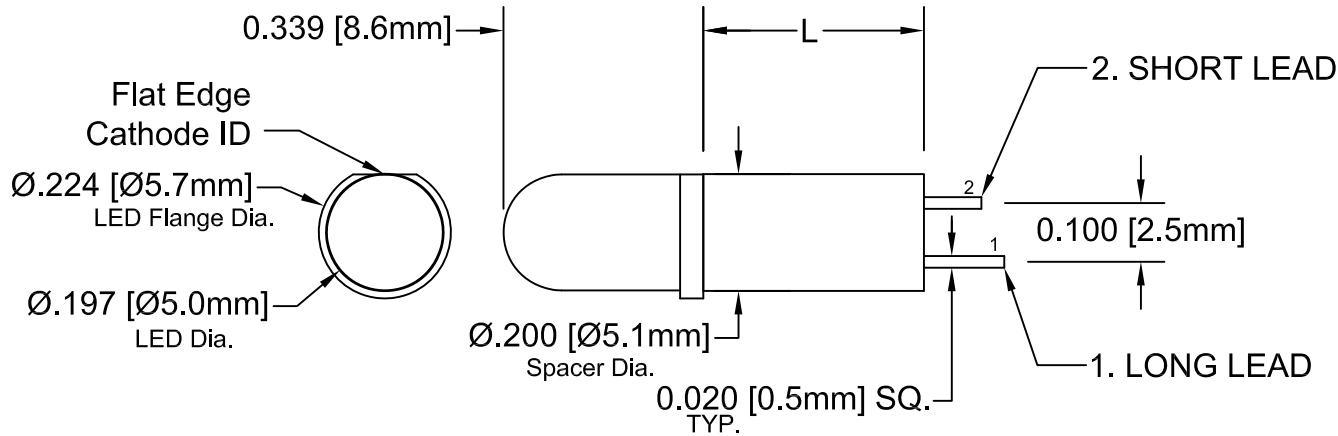
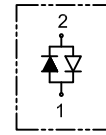


REV.	DESCRIPTION	DATE	APPROVED
M	LED Offering List Update	07/26/12	T. Y.
N	Removed LED Duplication From Offering List	11/09/12	T. Y.
P	Corrected P/N Typo in BOM	09/20/13	T. Y.
R	Updated LED Optical Characteristics	09/12/15	J. C.
T	Corrected P/N Typo in Sheet#3 & #4	07/27/17	J. C.
U	Updated per EOL Notice	06/26/20	A. V.

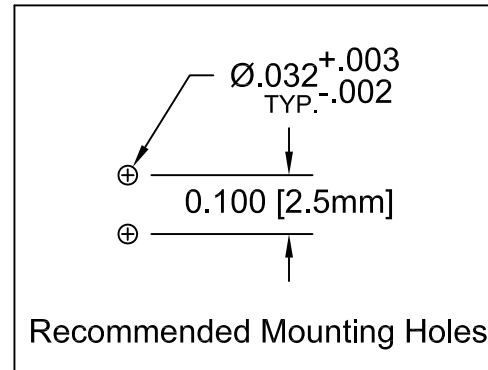
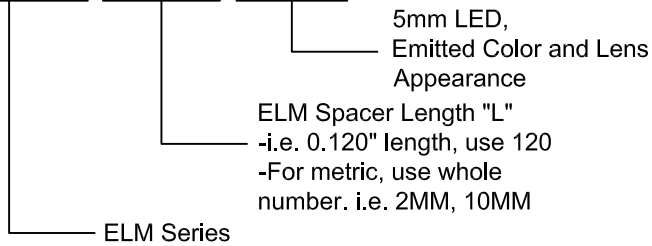


Single Color



Bi-Color

ELM 1 XXX 5 XX



BI-COLOR POLARITY		
LED P/N	(1) Cathode	(2) Cathode
5BC-F	Green	Red
5BC-Y/G-F	Green	Yellow

ABSOLUTE MAXIMUM RATINGS (Ta=25°C)

REVERSE VOLTAGE _____	5V
REVERSE CURRENT _____	100uA
OPERATING TEMPERATURE RANGE _____	-25° C - 85° C
STORAGE TEMPERATURE _____	-30° C - 100° C
LEAD SOLDERING TEMPERATURE(1/16" FROM BODY) _____	260° C FOR 5 SECONDS

CUSTOMER USE DRAWING

STANDARD TOLERANCE (UNLESS OTHERWISE SPECIFIED)		BIVAR®	
DECIMALS	ANGULAR	4 THOMAS, IRVINE, CA. 92618 TEL: (949) 951-8808 FAX: (949) 951-3974	
.X ±.1	X° ± 1°	TITLE: EXTRUDED VERTICAL T-1¼ (5mm) LED NARROW PROFILE ASSY	
.XX ±.01			
.XXX ±.005			
DESIGNED: M. Doan	DATE: 07/26/12	DRAWING NO: ELM1XXX5XX	REVISION: U
REVISED: V. Chavez	DATE: 06/26/20	SHEET SIZE: A	CAGE CODE: 32559
CHECKED: A. Valdez	DATE: 06/26/20	SCALE: N/A	SHEET # 1 OF 3
CAD GENERATED DOCUMENT, DO NOT MEASURE DRAWING			

REV.	DESCRIPTION	DATE	APPROVED
	SEE SHEET #1		

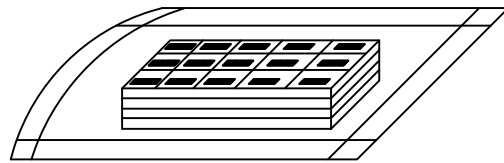
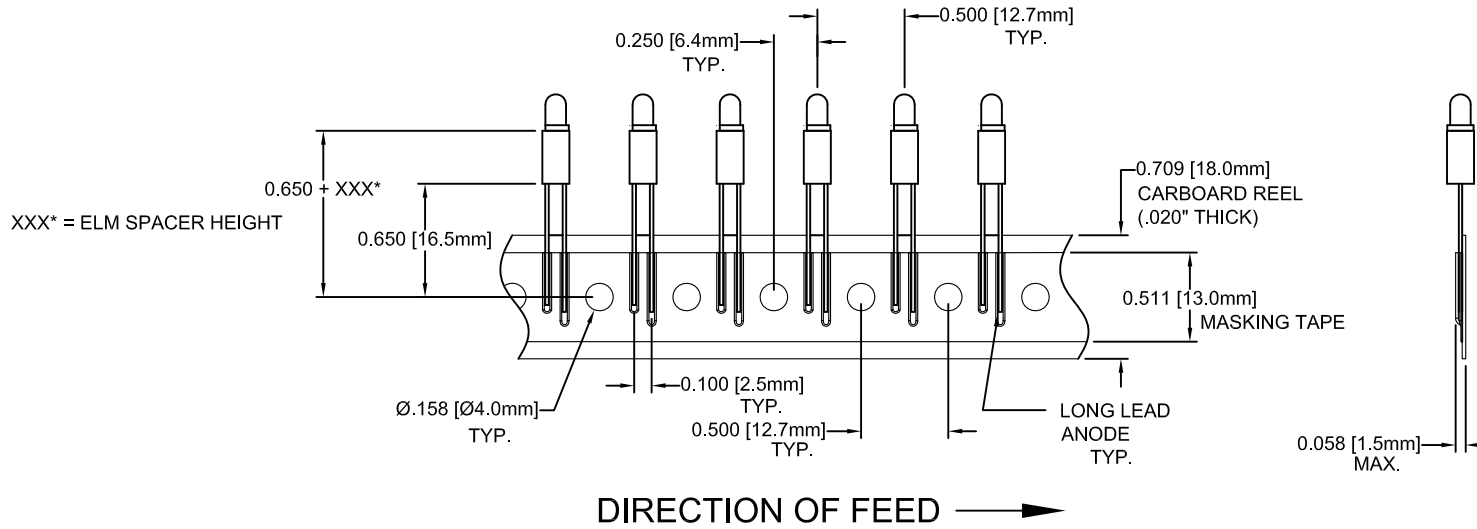
LED Assy. No.	Chip			Lens Appearance	Electro-Optical Data @ 20mA				Viewing Angle 2 θ ½ (Deg)	LED P/N	
	Material	Peak Wave Length λp (nm)	Emitted Color		If (mA)	Vf (V)		Iv (mcd)			
						MAX	TYP	MAX			TYP
ELM1XXX5BWD	GaN/SiC	430	BLUE	DIFFUSED	25	4	4.5	15	45	5BWD-F	
ELM1XXX5GD	GaP/GaP	568	GREEN	DIFFUSED	30	2.1	2.8	25	45	5GD-F	
ELM1XXX5GT	GaP/GaP	568	GREEN	TINTED	30	2.1	2.8	40	35	5GT-F	
ELM1XXX5YD	GaAsP/GaP	590	YELLOW	DIFFUSED	30	2	2.8	25	45	5YD-F	
ELM1XXX5YT	GaAsP/GaP	590	YELLOW	TINTED	30	2	2.8	40	35	5YT-F	
ELM1XXX5AD	GaAsP/GaP	605	AMBER	DIFFUSED	30	2	2.8	25	45	5AD-F	
ELM1XXX5HD	GaAsP/GaP	625	HE RED	DIFFUSED	30	2	2.8	25	45	5HD-F	
ELM1XXX5HT	GaAsP/GaP	625	HE RED	TINTED	30	2	2.8	40	35	5HT-F	
ELM1XXX5RD	GaP/GaP	700	RED	DIFFUSED	20	2.1	2.8	2	45	5RD-F	
ELM1XXX5BC	GaAsP/GaP	625	RED	WHITE DIFFUSED	30	2.0	2.8	6	45	5BC-F	
	GaP/GaP	568	GREEN		30	2.1	2.8	8			
ELM1XXX5BC-Y/G	GaAsP/GaP	590	YELLOW	WHITE DIFFUSED	30	2.0	2.8	5	45	5BC-Y/G-F	
	GaP/GaP	568	GREEN		30	2.1	2.8	8			
ELM1XXX5SRC	GaAlAs/GaAs	645	SUPER RED	WATER CLEAR	30	1.7	2.4	60	35	5SRC-F	

LED Assy. No.	Peak Wave Length λp (nm)	Emitted Color	Lens Appearance	Electro-Optical Data				Viewing Angle 2 θ ½ (Deg)	LED P/N
				If (mA)	Vf (V)		Iv (mcd)		
					TYP	TYP			
LOW CURRENT				Data @ 2mA					
ELM1XXX5GDL	568	GREEN	DIFFUSED	2	2.1	2.6	4	40	5GDL-F

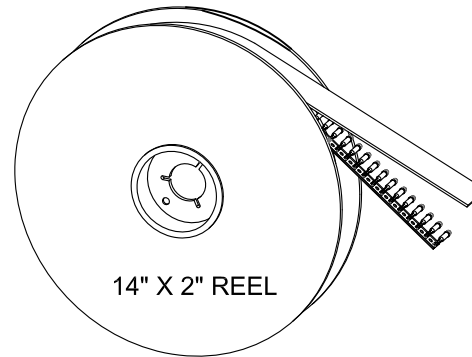
CUSTOMER USE DRAWING

		BIVAR [®]			
CAGE CODE	32559	DRAWING NO:	ELM1XXX5XX	REVISION:	U
SHEET SIZE	A	SCALE:	N/A	SHEET #	2 OF 3
CAD GENERATED DOCUMENT, DO NOT MEASURE DRAWING					

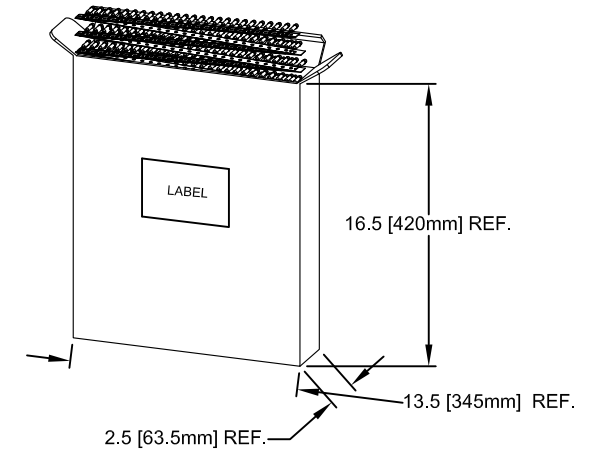
REV.	DESCRIPTION	DATE	APPROVED
	SEE SHEET #1		



STANDARD PACKAGING TRAY



TAPE & REEL
1,000 pcs / reel



AMMO PACK
2,000 pcs / box

CUSTOMER USE DRAWING

NOTE:

1. STANDARD PART NUMBERS ARE PACKAGED IN LOOSE PIECES USING PACKAGING TRAYS
2. ADD "T" SUFFIX TO PART NUMBER FOR TAPE AND REEL PACKAGING OPTION (1,000 PCS/REEL)
3. ADD "A" SUFFIX TO PART NUMBER FOR AMMO PACK OPTION (2,000 PCS/BOX)
4. TAPE AND REEL PACKAGING COMPLY TO EIA-468-C

BVAR[®]

CAGE CODE	32559	DRAWING NO:	ELM1XXX5XX	REVISION:	U
SHEET SIZE	A	SCALE:	N/A	SHEET #	3 OF 3
CAD GENERATED DOCUMENT, DO NOT MEASURE DRAWING					

Mouser Electronics

Authorized Distributor

Click to View Pricing, Inventory, Delivery & Lifecycle Information:

BIVAR:

[ELM10505GDL](#) [ELM10505HD](#) [ELM10505YD](#) [ELM10555GD](#) [ELM10605GD](#) [ELM10605HD](#) [ELM10605SRC](#)
[ELM10705GD](#) [ELM10705GDL](#) [ELM10705RD](#) [ELM10705YD](#) [ELM10805GD](#) [ELM10805GDL](#) [ELM11005GD](#)
[ELM11005HD](#) [ELM11005YD](#) [ELM110MM5GD](#) [ELM110MM5RD](#) [ELM111405YD](#) [ELM11205GD](#) [ELM11255GD](#)
[ELM11255HD](#) [ELM11255YD](#) [ELM113MM5GD](#) [ELM113MM5HD](#) [ELM11405GD](#) [ELM11405RD](#) [ELM11405YD](#)
[ELM114MM5GD](#) [ELM114MM5RD](#) [ELM11555GD](#) [ELM11555RD](#) [ELM115MM5HD](#) [ELM115MM5RD](#) [ELM11605BWD](#)
[ELM11605GD](#) [ELM11605RD](#) [ELM11605YD](#) [ELM11655GD](#) [ELM11655RD](#) [ELM11655YD](#) [ELM116MM5GDL](#)
[ELM11705HD](#) [ELM11905GD](#) [ELM11905RD](#) [ELM11MM5GD](#) [ELM11MM5RD](#) [ELM11MM5YD](#) [ELM12005GD](#)
[ELM12005HD](#) [ELM12005YD](#) [ELM120MM5BC](#) [ELM12205GDL](#) [ELM12205HD](#) [ELM12205RD](#) [ELM12355BC](#)
[ELM12355BWD](#) [ELM12355GDL](#) [ELM12355RD](#) [ELM12355YD](#) [ELM12355YDL](#) [ELM12505BC](#) [ELM12505GD](#)
[ELM12505HD](#) [ELM12505RD](#) [ELM12505YD](#) [ELM12605BC](#) [ELM12755BC](#) [ELM12755GD](#) [ELM12755GDL](#)
[ELM12755RD](#) [ELM12955BC](#) [ELM12955GDL](#) [ELM12MM5BWD](#) [ELM13005GD](#) [ELM13005GDL](#) [ELM13005HD](#)
[ELM13005RD](#) [ELM13005YD](#) [ELM13105SRC](#) [ELM13155GD](#) [ELM13155RD](#) [ELM13205GD5V](#) [ELM13305GD](#)
[ELM13405RD](#) [ELM13505GD](#) [ELM13505HD](#) [ELM13505RD](#) [ELM13505YD](#) [ELM13705BWD](#) [ELM13755HD](#)
[ELM13755SRD](#) [ELM13805RD](#) [ELM13955RD](#) [ELM13MM5GD](#) [ELM13MM5HD](#) [ELM13MM5RD](#) [ELM13MM5YD](#)
[ELM14005GD](#) [ELM14005GDL](#)