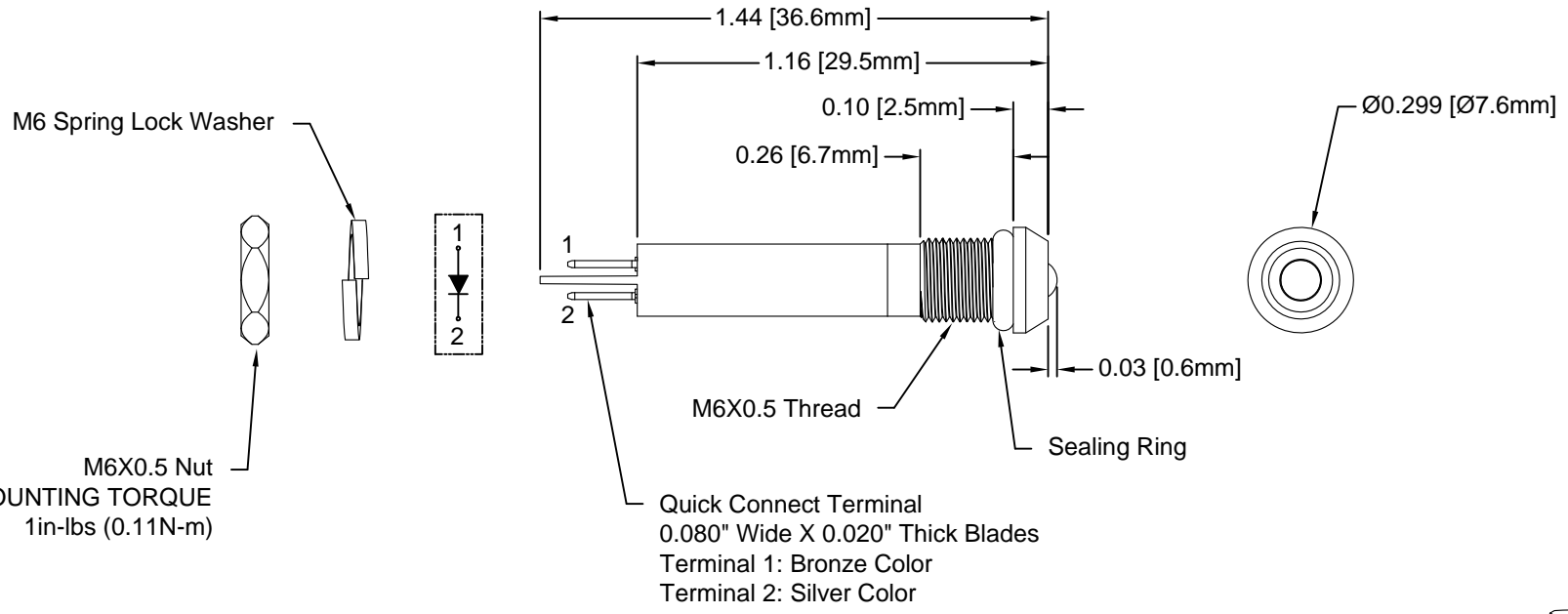
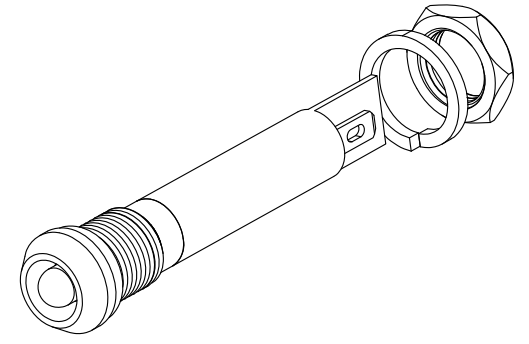
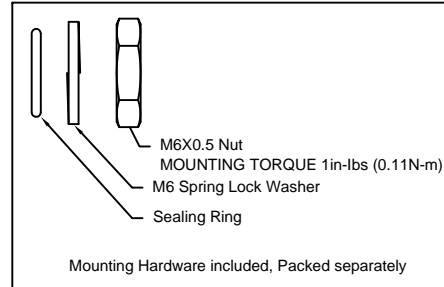
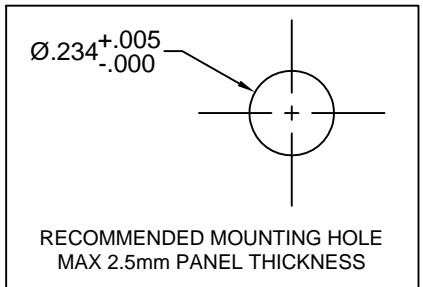


REV.	DESCRIPTION	DATE	APPROVED
A	Engineering Release	08/15/14	J. C.
B	Engineering Update w/o Changes	08/11/16	J. C.



RECOMMENDED MOUNTING TORQUE
1 in-lbs (0.11N-m)



- NOTES:
1. SEALED TO IP54 RATING
 2. VOLTAGE INPUT OPTIONS: 12V/24V/110V/220V
 3. ROHS COMPLIANT
 4. MOUNTING HARDWARE PACKED SEPARATELY NON-ASSEMBLED
 5. INSERT SEALING RING ON PANEL MOUNT ASSEMBLY PRIOR TO PANEL INSTALLATION


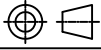
STANDARD TOLERANCE (UNLESS OTHERWISE SPECIFIED)		 4 THOMAS, IRVINE, CA. 92618 TEL: (949) 951-8808 FAX: (949) 951-3974	
DECIMALS	ANGULAR		
.X ± .1	X° ± 1°	 TITLE: MPC6-1 SERIES, IP54 RATED PANEL MOUNT INDICATOR	
.XX ± .02			
.XXX ± .010			
DESIGNED: M. Doan	DATE: 08/15/14	PART NO: MPC6-1XDXXV	REVISION: B
CHECKED: B. Oliver	DATE: 08/15/14	CAGE CODE : 32559	SHEET # 1 OF 2
CAD GENERATED DOCUMENT. DO NOT MEASURE DRAWING.			

REV.	DESCRIPTION	DATE	APPROVED
	SEE SHEET #1		

Part Number	Dominant Wave Length λ_d (nm)	Emitted Color	Lens Appearance	Voltage	Luminous Intensity (mcd)	Viewing Angle (degree)
MPC6-1RD12V	625	Red	Diffused	12V	310	45
MPC6-1GD12V	525	Green	Diffused	12V	2090	45
MPC6-1YD12V	590	Yellow	Diffused	12V	520	45
MPC6-1BWD12V	465	Blue	Diffused	12V	310	45
MPC6-1WD12V	x=0.28, y=0.30	White	Diffused	12V	2610	45
MPC6-1RD24V	625	Red	Diffused	24V	310	45
MPC6-1GD24V	525	Green	Diffused	24V	2090	45
MPC6-1YD24V	590	Yellow	Diffused	24V	520	45
MPC6-1BWD24V	465	Blue	Diffused	24V	310	45
MPC6-1WD24V	x=0.28, y=0.30	White	Diffused	24V	2610	45
MPC6-1RD110V	625	Red	Diffused	110V	20	45
MPC6-1GD110V	525	Green	Diffused	110V	165	45
MPC6-1YD110V	590	Yellow	Diffused	110V	40	45
MPC6-1BWD110V	465	Blue	Diffused	110V	20	45
MPC6-1WD110V	x=0.28, y=0.30	White	Diffused	110V	145	45
MPC6-1RD220V	625	Red	Diffused	220V	10	45
MPC6-1GD220V	525	Green	Diffused	220V	80	45
MPC6-1YD220V	590	Yellow	Diffused	220V	20	45
MPC6-1BWD220V	465	Blue	Diffused	220V	10	45
MPC6-1WD220V	x=0.28, y=0.30	White	Diffused	220V	70	45

ABSOLUTE MAXIMUM RATINGS (Ta = 25°C)

POWER INPUT _____ 0.5W MAX
 OPERATING TEMPERATURE RANGE _____ -40°C ~ 80°C
 STORAGE TEMPERATURE _____ -40°C ~ 80°C
 TERMINAL SOLDERING TEMPERATURE _____ 260°C, 5s

STANDARD TOLERANCE (UNLESS OTHERWISE SPECIFIED) DECIMALS ANGULAR		 4 THOMAS, IRVINE, CA. 92618 TEL: (949) 951-8808 FAX: (949) 951-3974	
			
DESIGNED: M. Doan	DATE: 08/15/14	TITLE: MPC6-1 SERIES, IP54 RATED PANEL MOUNT INDICATOR	
CHECKED: B. Oliver	DATE: 08/15/14	PART NO: MPC6-1XDXXV	REVISION: B
		CAGE CODE : 32559	SHEET # 2 OF 2
CAD GENERATED DOCUMENT. DO NOT MEASURE DRAWING.			

Mouser Electronics

Authorized Distributor

Click to View Pricing, Inventory, Delivery & Lifecycle Information:

[BIVAR:](#)

[MPC6-1BWD110V](#) [MPC6-1GD220V](#) [MPC6-1RD110V](#) [MPC6-1YD110V](#) [MPC6-1YD220V](#) [MPC6-1BWD220V](#)
[MPC6-1WD110V](#) [MPC6-1WD220V](#)