

80 mm sq.

San Ace 80W



General Specifications

- Material Frame: Plastics (Flammability: UL94V-0),
Impeller: Plastics (Flammability: UL94V-1)
- Expected Life Refer to specifications (Indoor, L10:Survival rate: 90% at 60°C ,
rated voltage, and continuously run in a free air state)
- Lead Wire ⊕red ⊖black (Sensor) yellow
- Storage Temperature -30°C to +70°C (Non-condensing)

80×80×25 mm (Mass : 130g) **IP 68** **9WP** type

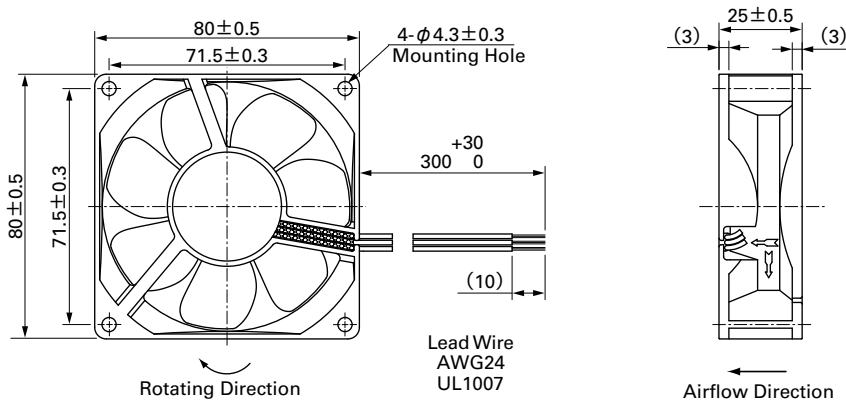
Specifications

The following nos. **have pulse sensors and ribs**. For ribless, append "1" to the model no.

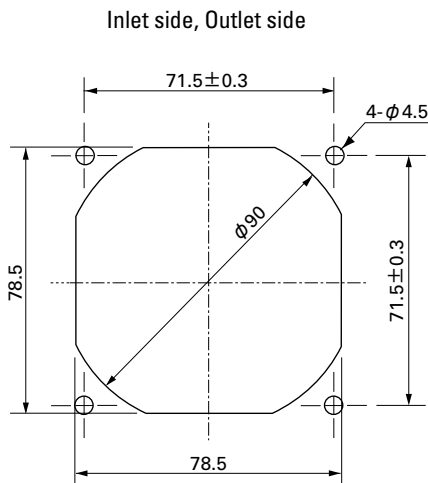
Model No.	Rated Voltage [V]	Operating Voltage Range [V]	Rated Current [A]	Rated Input [W]	Rated Speed [min ⁻¹]	Max. Airflow [m ³ /min] [CFM]	Max. Static Pressure [Pa] [inchH ₂ O]	SPL [dB(A)]	Operating Temperature [°C]	Expected Life [h]
9WP0812G401	12	10.8 to 13.2	0.38	4.56	4,500	1.50 53	80.4 0.323	40	-20 to +60	40,000/60°C
9WP0812H401		10.2 to 13.8	0.13	1.56	2,900	1.03 36.4	35.3 0.142	29		60,000/60°C
9WP0824S401	24	20.4 to 27.6	0.1	2.4	3,400	1.20 42.4	48.0 0.193	34		40,000/60°C
9WP0824H401			0.07	1.68	2,900	1.03 36.4	35.3 0.142	29		60,000/60°C
9WP0848S401	48	40.8 to 55.2	0.06	2.88	3,400	1.20 42.4	48.0 0.193	34		40,000/60°C

Other sensor specifications are available as options. Please refer to the index (p. 512).

Dimensions (unit: mm) (With ribs)



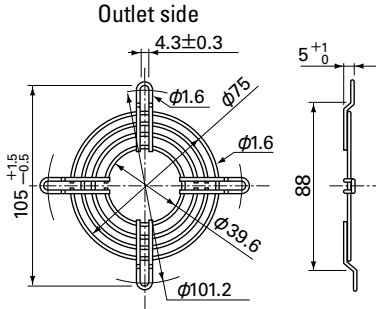
Reference Dimensions of Mounting Holes and Vent Opening (unit: mm)



Options (unit: mm)

Finger Guards

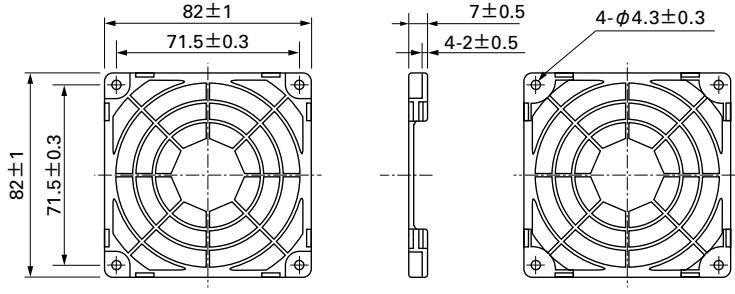
Model : 109-049C Surface treatment : Nickel-chrome plating (silver) Color : Silver



Mass : 17g

Resin Finger Guards

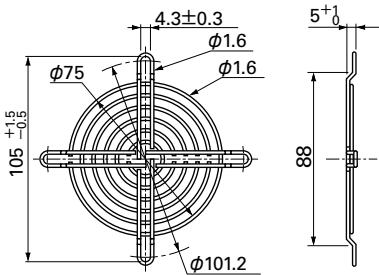
Model : 109-1002G



Mass : 10g

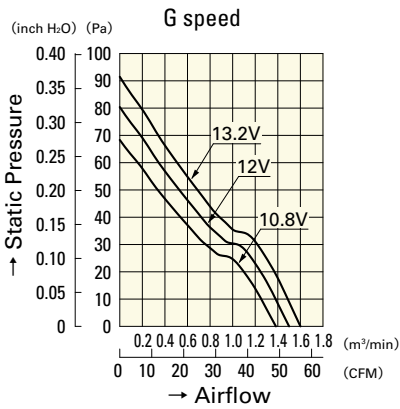
Model : 109-049E Surface treatment : Nickel-chrome plating (silver) Color : Silver
 : 109-049H : Cation electropainting (black)

Inlet side, Outlet side

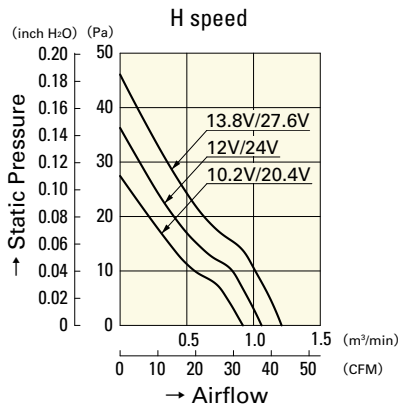


Mass : 21g

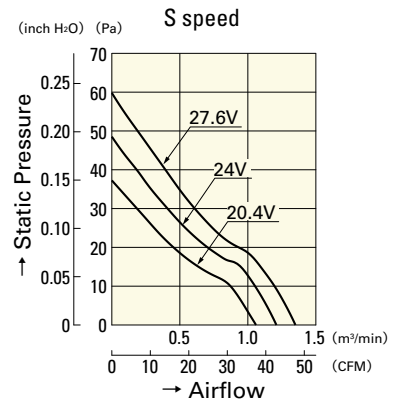
Airflow - Static Pressure Characteristics



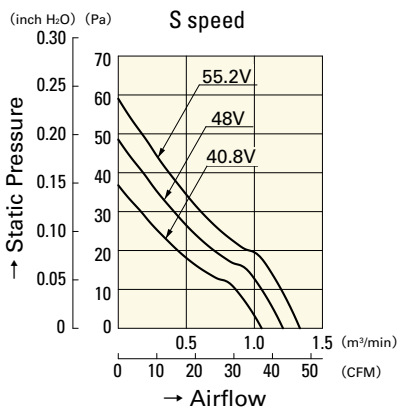
9WP0812G401



9WP0812H401
9WP0824H401



9WP0824S401



9WP0848S401

Mouser Electronics

Authorized Distributor

Click to View Pricing, Inventory, Delivery & Lifecycle Information:

[Sanyo Denki:](#)

[9WP0824H401](#) [9WP0812H401](#) [9WP0812H4011](#) [9WP0824H4011](#) [9WP0812G401](#) [9WP0848S401](#) [9WP0812G4011](#)