

80mm sq.

San Ace 80W



General Specifications

- Material Frame: Aluminum (Black coating),
Impeller: Plastics (Flammability: UL94V-1)
- Expected Life Refer to specifications (Indoor, L10: Survival rate: 90% at 60°C ,
rated voltage, and continuously run in a free air state)
- Lead Wire ⊕ red ⊖ black (Sensor) yellow (Control) brown
- Storage Temperature -30°C to +70°C (Non-condensing)

80×80×25mm (Mass : 150g) **IP68** **9WL_{type}** **High Airflow Long Life Fan**

Specifications

The following nos. **have PWM controls and pulse sensors.**

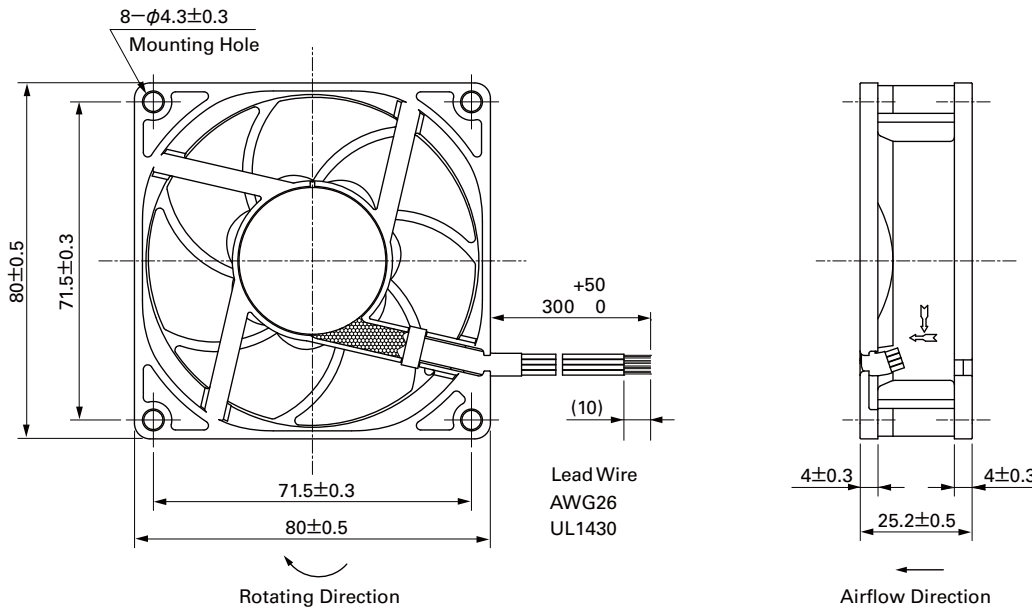
| Model No. | Rated Voltage [V] | Operating Voltage Range [V] | PWM duty cycle ^{Min/Max} [%] | Rated Current [A] | Rated Input [W] | Rated Speed [min ⁻¹] | Max. Airflow [m ³ /min] [CFM] | Max. Static Pressure [Pa] [inchH ₂ O] | SPL [dB(A)] | Operating Temperature [°C] | Expected Life [h] |
|----------------------|-------------------|-----------------------------|---------------------------------------|-------------------|-----------------|----------------------------------|--|--|-------------|----------------------------|-------------------|
| 9WL0812P4J001 | 12 | 10.8 to 13.2 | 100 | 0.6 | 7.2 | 7,400 | 2.07 73.0 | 177 0.71 | 49 | -20 to +70 | 180,000/60°C |
| | | | 20 | 0.06 | 0.72 | 1,800 | 0.50 17.6 | 10.4 0.04 | 16 | | |
| 9WL0812P4G001 | | | 100 | 0.30 | 3.60 | 5,500 | 1.54 54.3 | 98 0.39 | 43 | | |
| | | | 25 | 0.05 | 0.60 | 1,400 | 0.39 13.7 | 6.3 0.02 | 14 | | |
| 9WL0812P4H001 | | | 100 | 0.12 | 1.44 | 3,700 | 1.03 36.3 | 44 0.17 | 31 | | |
| | | | 25 | 0.04 | 0.48 | 1,100 | 0.30 10.5 | 3.9 0.01 | 13 | | |
| 9WL0824P4J001 | 24 | 21.6 to 26.4 | 100 | 0.28 | 6.72 | 7,400 | 2.07 73.0 | 177 0.71 | 49 | | |
| | | | 20 | 0.05 | 1.20 | 2,400 | 0.67 23.6 | 18.6 0.07 | 22 | | |
| 9WL0824P4G001 | | | 100 | 0.14 | 3.36 | 5,500 | 1.54 54.3 | 98 0.39 | 43 | | |
| | | | 20 | 0.02 | 0.48 | 1,200 | 0.33 11.6 | 4.6 0.01 | 13 | | |
| 9WL0824P4H001 | | | 100 | 0.05 | 1.2 | 3,700 | 1.03 36.3 | 44 0.17 | 31 | | |
| | | | 30 | 0.02 | 0.48 | 1,100 | 0.30 10.5 | 3.9 0.01 | 13 | | |

Note : Fan does not rotate when PWM duty cycle is 0%.

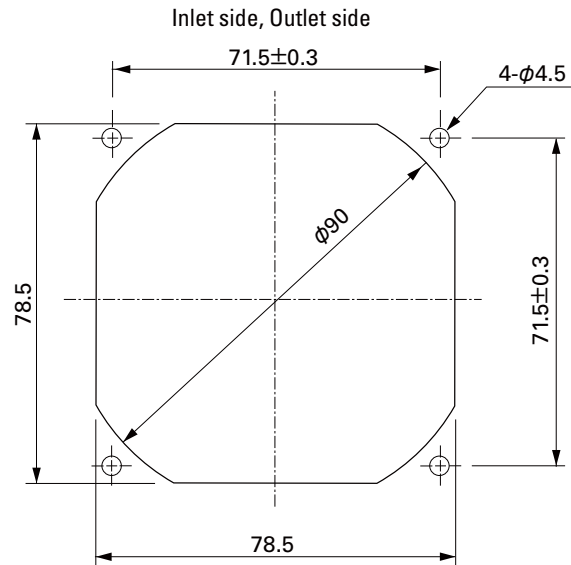
※PWM Frequency : 25kHz

Other sensor specifications are available as options. Please refer to the index (pp. 511 to 512).

Dimensions (unit: mm)



Reference Dimensions of Mounting Holes and Vent Opening (unit: mm)



Options (unit: mm)

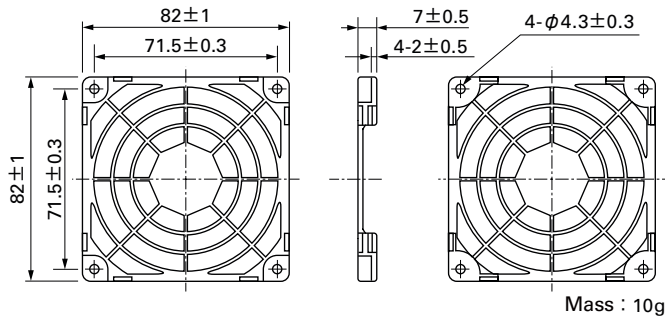
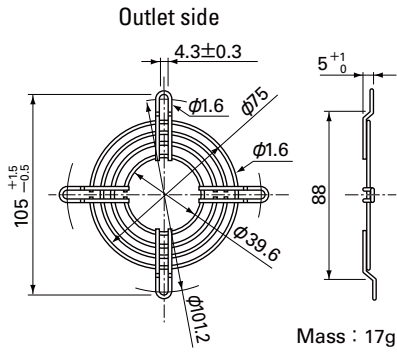
Finger Guards

Model : 109-049C Surface treatment : Nickel-chrome plating (silver) Color

Color

Resin Finger Guards

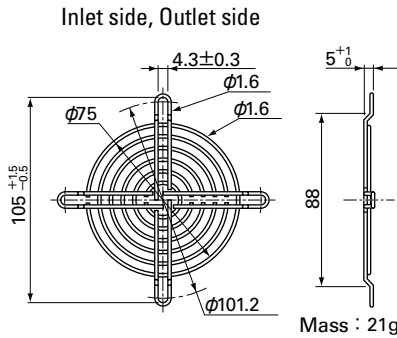
Model : 109-1002G



Model : 109-049E Surface treatment : Nickel-chrome plating (silver) Color

Color

: 109-049H : Cation electropainting (black)



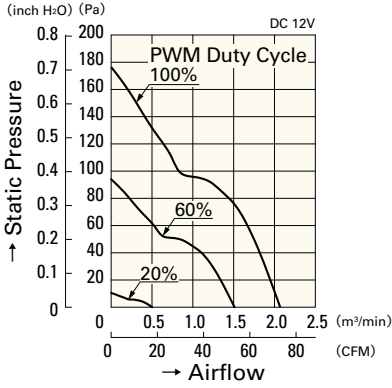
80mm sq.

San Ace 80W

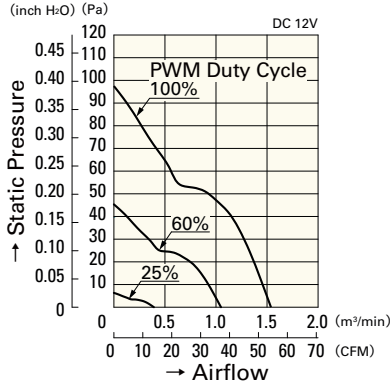
80×80×25mm [Mass : 150g]

Airflow - Static Pressure Characteristics

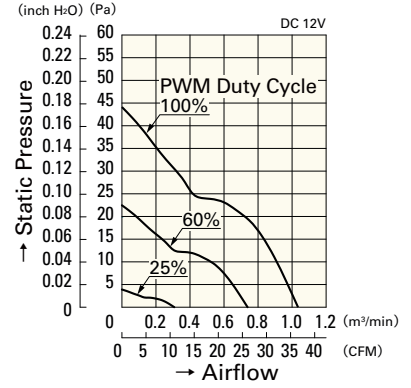
PWM Duty Cycle



9WL0812P4J001

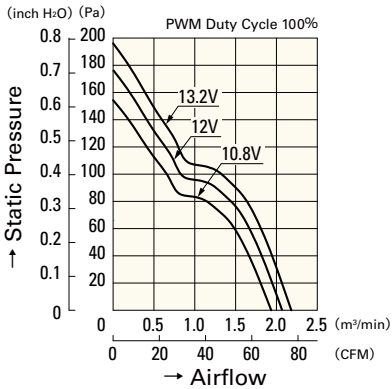


9WL0812P4G001

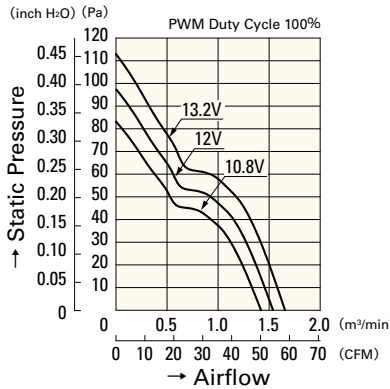


9WL0812P4H001

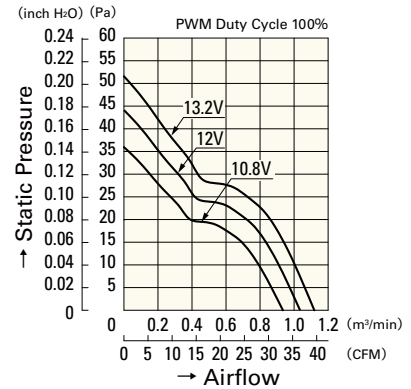
Operating Voltage Range



9WL0812P4J001

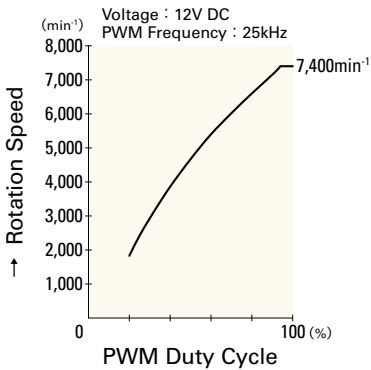


9WL0812P4G001

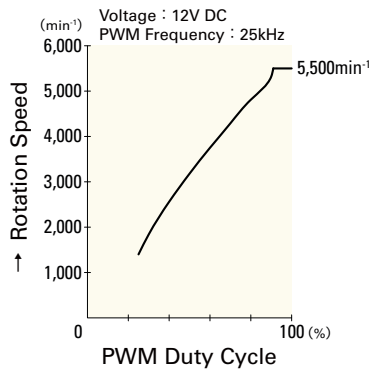


9WL0812P4H001

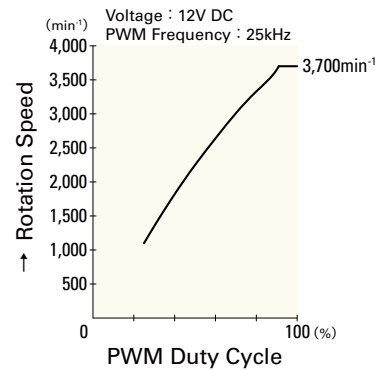
PWM Duty - Speed Characteristics Example



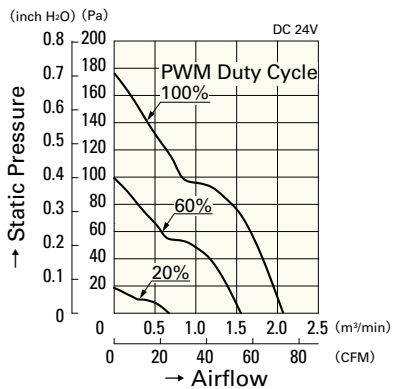
9WL0812P4J001



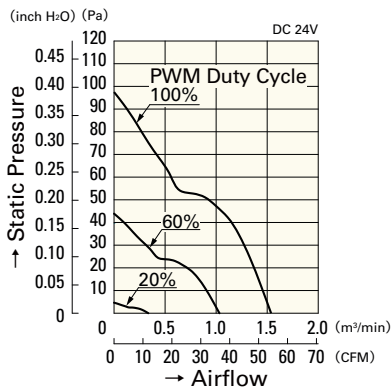
9WL0812P4G001



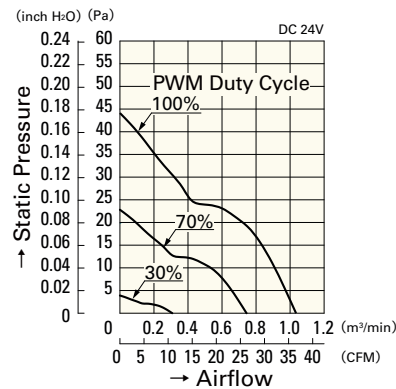
9WL0812P4H001



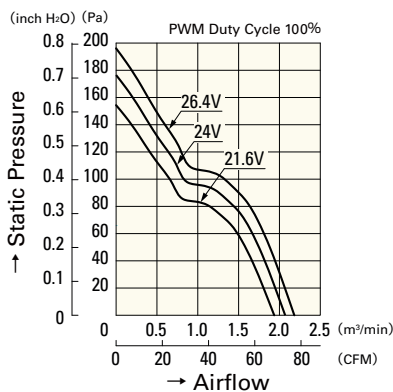
9WL0824P4J001



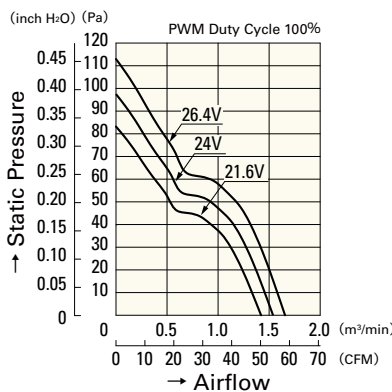
9WL0824P4G001



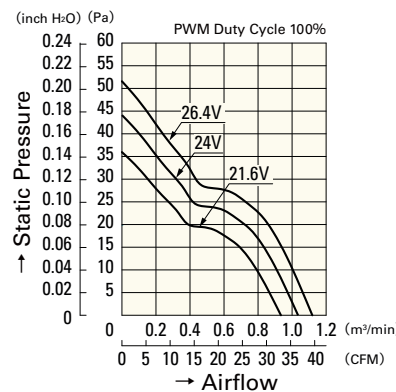
9WL0824P4H001



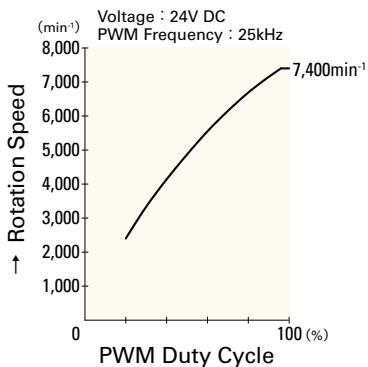
9WL0824P4J001



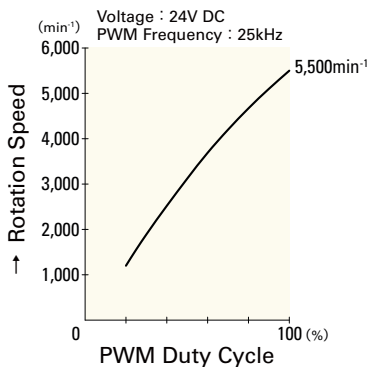
9WL0824P4G001



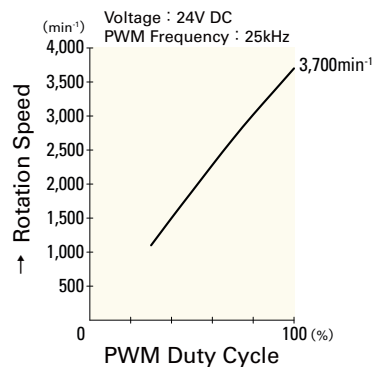
9WL0824P4H001



9WL0824P4J001



9WL0824P4G001



9WL0824P4H001

Mouser Electronics

Authorized Distributor

Click to View Pricing, Inventory, Delivery & Lifecycle Information:

Sanyo Denki:

[9WL0924P4S001](#) [9WL0812P4J001](#) [9WL0912P4J001](#) [9WL0824P4J001](#) [9WL0612P4H001](#) [9WL0624P4H001](#)
[9WL0624P4S001](#) [9WL0612P4J001](#) [9WL0612P4S001](#) [9WL0824P4G001](#) [9WL0912P4G001](#) [9WL0812P4G001](#)
[9WL0912P4H001](#) [9WL0924P4H001](#) [9WL0912P4S001](#) [9WL0624P4J001](#) [9WL0924P4J001](#) [9WL0812P4H001](#)
[9WL0824P4H001](#) [9WL0412P3J001](#) [9WL0424P3J001](#) [9WL0412P3G001](#) [9WL0424P3G001](#)