

60mm sq.

San Ace 60T



General Specifications

- Material Frame: Aluminum, Impeller: Plastics (Flammability: UL94V-1)
- Expected Life Refer to specifications (L10:Survival rate:90% at 85°C, rated voltage, and continuously run in a free air state)
- Lead Wire ⊕red ⊖black (Sensor) yellow (Control) brown
- Storage Temperature -40°C to +85°C (Non-condensing)

60×60×25mm (Mass : 100g) **9GT** type

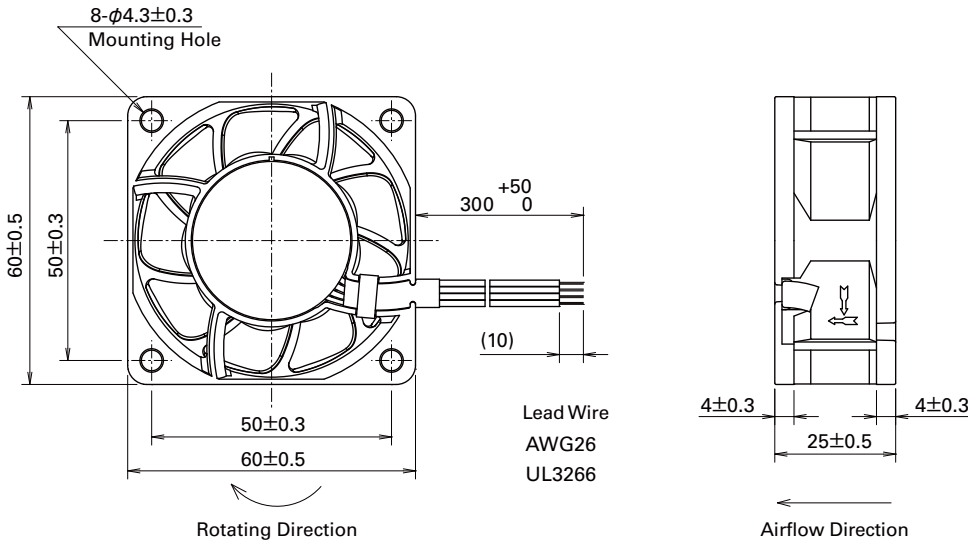
Specifications

The following nos. **have PWM controls and pulse sensors.**

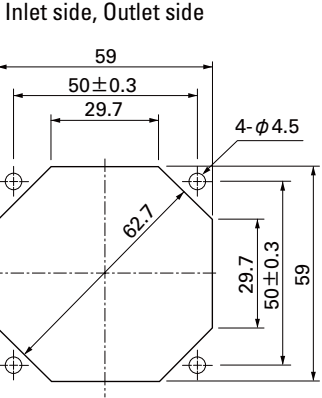
Model No.	Rated Voltage [V]	Operating Voltage Range [V]	PWM duty cycle ^{*)} [%]	Rated Current [A]	Rated Input [W]	Rated Speed [min ⁻¹]	Max. Airflow [m ³ /min] [CFM]	Max. Static Pressure [Pa] [InchH ₂ O]	SPL [dB(A)]	Operating Temperature [°C]	Expected Life [h]
9GT0612P4G001	12	10.2 to 13.8	100	0.56	6.72	10,000	1.26 44.5	243 0.97	52	-40 to +85	40,000/85°C
			30	0.11	1.32	4,100	0.52 18.3	42.8 0.17	25		
9GT0624P4G001	24	20.4 to 27.6	100	0.28	6.72	10,000	1.26 44.5	243 0.97	52		
			30	0.06	1.44	4,100	0.52 18.3	42.8 0.17	25		

Note : Fan does not rotate when PWM duty cycle is 0%. *)PWM Frequency : 25kHz
 Other sensor specifications are available as options. Please refer to the index (p. 506).

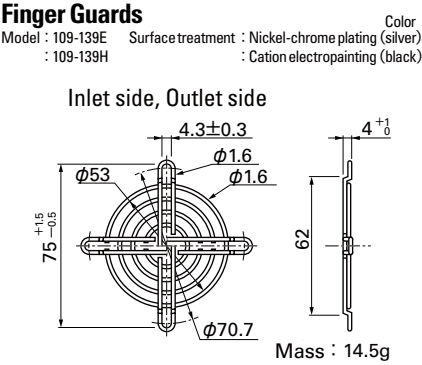
Dimensions (unit: mm)



Reference Dimensions of Mounting Holes and Vent Opening (unit: mm)

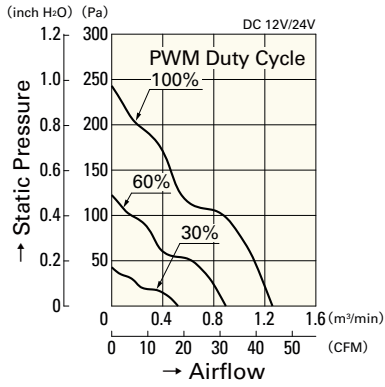


Options (unit: mm)



Airflow - Static Pressure Characteristics

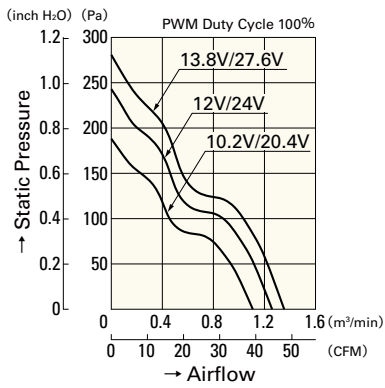
PWM Duty Cycle



9GT0612P4G001

9GT0624P4G001

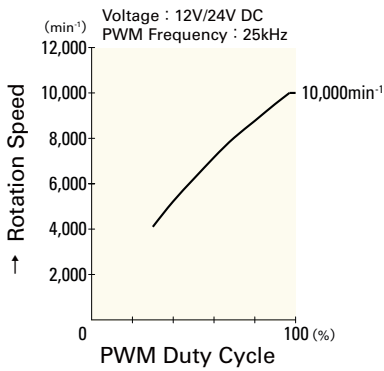
Operating Voltage Range



9GT0612P4G001

9GT0624P4G001

PWM Duty - Speed Characteristics Example



9GT0612P4G001

9GT0624P4G001

DC

Wide Temperature Range Fan 60mm

Mouser Electronics

Authorized Distributor

Click to View Pricing, Inventory, Delivery & Lifecycle Information:

Sanyo Denki:

[9GT0612P4G001](#) [9GT0624P4G001](#)