

φ172mm

San Ace 172L



General Specifications

- Material Frame: Aluminum,
Impeller: Plastics (Flammability: UL94V-1)
- Expected Life Refer to specifications (L10:Survival rate: 90% at 60°C ,
rated voltage, and continuously run in a free air state)
- Lead Wire ⊕red ⊖black or blue (Sensor) yellow
- Storage Temperature -30°C to +70°C (Non-condensing)

φ172mm × 150mm × 51mm (Mass : 760g) **9L type Sidecut type**

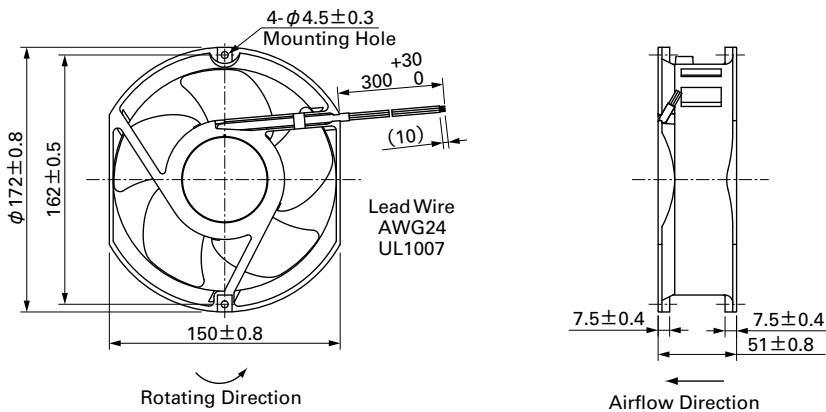
Specifications

The following nos. **have pulse sensors.**

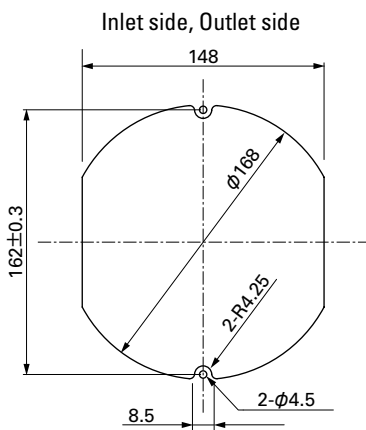
Model No.	Rated Voltage [V]	Operating Voltage Range [V]	Rated Current [A]	Rated Input [W]	Rated Speed [min ⁻¹]	Max. Airflow [m ³ /min] [CFM]	Max. Static Pressure [Pa] [inchH ₂ O]	SPL [dB(A)]	Operating Temperature [°C]	Expected Life [h]
109L5712H501	12	10.2 to 13.8	1.2	14.4	3,050	6.4 226	137.2 0.551	52	- 20 to + 70	100,000/60°C
109L5712M501			0.48	5.76	2,000	4.2 148	67.6 0.271	41		
109L5724H501	24	20.4 to 27.6	0.58	13.92	3,050	6.4 226	137.2 0.551	52		
109L5724M501			0.2	4.80	2,000	4.2 148	67.6 0.271	41		
109L5748H501	48	40.8 to 55.2	0.28	13.44	3,050	6.4 226	137.2 0.551	52		
109L5748M501			0.11	5.28	2,000	4.2 148	67.6 0.271	41		

Other sensor specifications are available as options. Please refer to the index (p. 496).

Dimensions (unit: mm)



Reference Dimensions of Mounting Holes and Vent Opening (unit: mm)



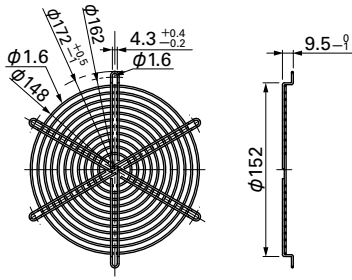
Options (unit: mm)

Finger Guards

Model : 109-319E Surface treatment : Nickel-chrome plating (silver) Color : 109-319H Cation electropainting (black)

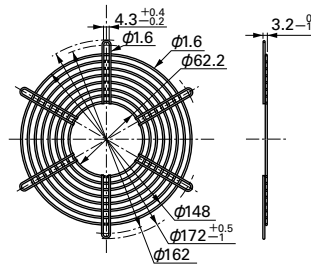
Model : 109-320 Surface treatment : Nickel-chrome plating (silver) Color

Inlet side, Outlet side



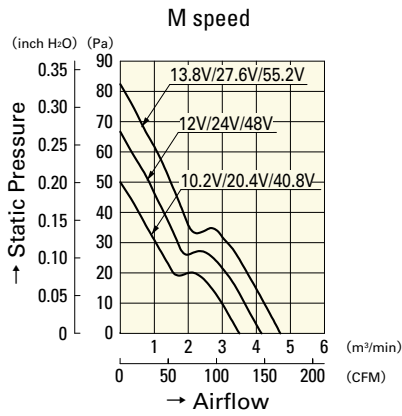
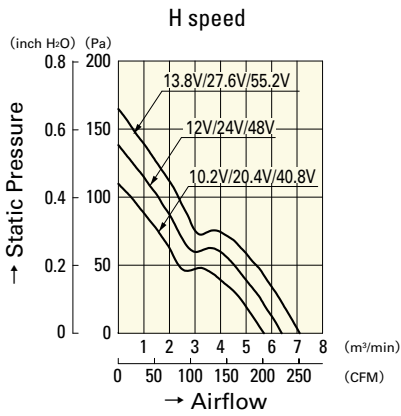
Mass : 69g

Outlet side



Mass : 53g

Airflow - Static Pressure Characteristics



109L5712H501

109L5724H501

109L5748H501

109L5712M501

109L5724M501

109L5748M501

DC

Long Life Fan 172mm

Mouser Electronics

Authorized Distributor

Click to View Pricing, Inventory, Delivery & Lifecycle Information:

[Sanyo Denki:](#)

[109L5712H501](#) [109L5712M501](#) [109L5724H501](#) [109L5724M501](#) [109L5748H501](#) [109L5748M501](#)