

CONFIDENTIAL

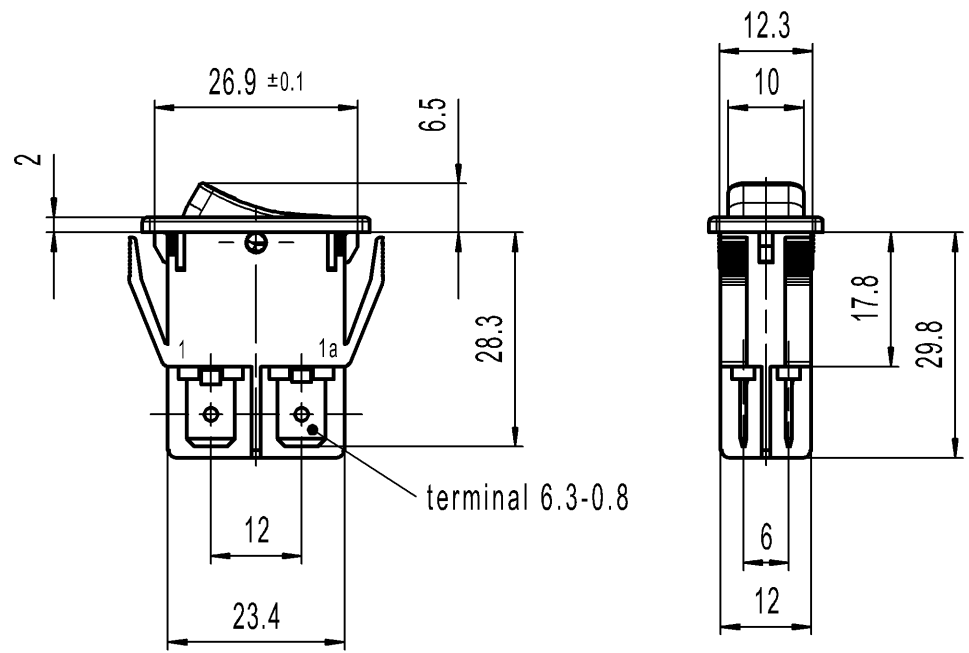
VERTRAULICH

THIS DRAWING IS THE EXCLUSIVE PROPERTY OF MARQUARDT. WITHOUT THEIR CONSENT IT MAY NOT BE REPRODUCED OR GIVEN TO THIRD PARTIES.

Alle Rechte bei Marquardt, auch fuer den Fall von Schutzrechtsanmeldungen. Jede Veruegungsbefugnis, wie Kopier- und Weitergaberecht, bei uns.

1	2	3	4
recommended cut-out for snap-in fixing (edge opposite to snap-in direction)	wall thickness	length of cut-out	width of cut-out
	0.8 to 5.0	27.2 ±0.1	12.2+0.2

A

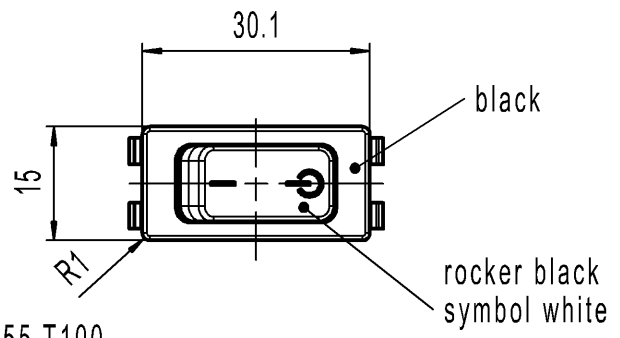


B

C

Marking

155..
 16 (4) / 250 ~ T100/55 T100
 10 (4) / 250 ~ 5E4
 5/100A 250V ~



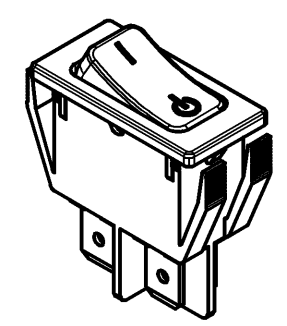
D

E

16A 125-250V AC
 1 HP 125V AC
 2 HP 250V AC
 R38

DPST

Suitable for appliances of class II



Code of manufacture:
place/year/week

-	-	-	1552.3111-XX																																								
Figure	Type	Customer No.	Art.No.-PI																																								
Shape and location	Angle ± 2°	Sheet 01	Ident. K																																								
	Edge tolerance	Format DIN A4	Document number 15523111																																								
	Length	Projection	Index C																																								
	Radii	Scale 1:1	Appliance Switch																																								
<table border="1"> <tr> <td>0-6</td><td>± 0.2</td><td>±</td><td>0-6</td><td>± 0.2</td></tr> <tr> <td>>6-15</td><td>± 0.4</td><td>±</td><td>>6-15</td><td>± 0.4</td></tr> <tr> <td>>15-30</td><td>± 0.4</td><td>±</td><td>>15-30</td><td>± 0.4</td></tr> <tr> <td>>30-70</td><td>± 0.6</td><td>±</td><td>>30-200</td><td>±</td></tr> <tr> <td>>70-120</td><td>±</td><td>±</td><td></td><td>±</td></tr> <tr> <td>>120-200</td><td>±</td><td>±</td><td></td><td>±</td></tr> <tr> <td></td><td>±</td><td>±</td><td></td><td>±</td></tr> <tr> <td></td><td>±</td><td>±</td><td></td><td>±</td></tr> </table>		0-6	± 0.2	±	0-6	± 0.2	>6-15	± 0.4	±	>6-15	± 0.4	>15-30	± 0.4	±	>15-30	± 0.4	>30-70	± 0.6	±	>30-200	±	>70-120	±	±		±	>120-200	±	±		±		±	±		±		±	±		±	All dimensions are in millimetres	
0-6	± 0.2	±	0-6	± 0.2																																							
>6-15	± 0.4	±	>6-15	± 0.4																																							
>15-30	± 0.4	±	>15-30	± 0.4																																							
>30-70	± 0.6	±	>30-200	±																																							
>70-120	±	±		±																																							
>120-200	±	±		±																																							
	±	±		±																																							
	±	±		±																																							
c	134536	2021-02-04	MATHPATIR																																								
b	69572	2010-10-04	HHE																																								
	28567	1999-11-30	MUT																																								
Index	MEC-No.	Date (YYYY-MM-DD)	Edited by																																								
System NX V11.0		Replacement of																																									
Zg.gl.Nr.v.30.11.1999		MARQUARDT																																									

Mouser Electronics

Authorized Distributor

Click to View Pricing, Inventory, Delivery & Lifecycle Information:

[Marquardt:](#)

[1552.3111](#)