

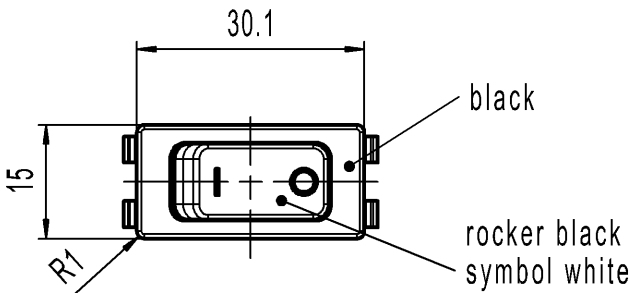
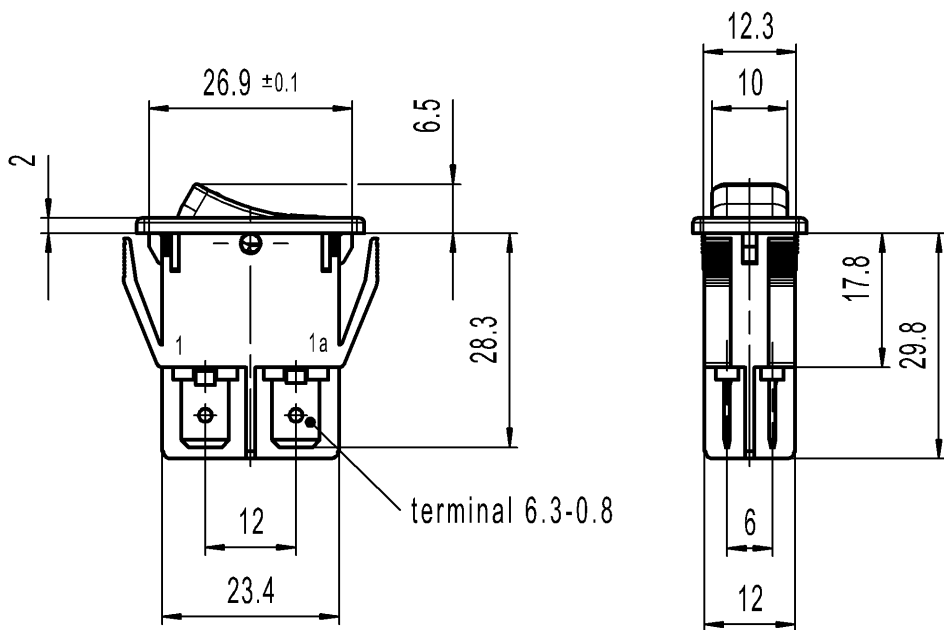
CONFIDENTIAL

VERTRAULICH

THIS DRAWING IS THE EXCLUSIVE PROPERTY OF MARQUARDT. WITHOUT THEIR CONSENT IT MAY NOT BE REPRODUCED OR GIVEN TO THIRD PARTIES.

Alle Rechte bei Marquardt, auch fuer den Fall von Schutzrechtsanmeldungen. Jede Verfuugungsbezugnis, wie Kopier- und Weitergaberecht, bei uns.

1	2	3	4
recommended cut-out for snap-in fixing (edge opposite to snap-in direction)	wall thickness	length of cut-out	width of cut-out
	0.8 to 5.0	27.2 ±0.1	12.2+0.2



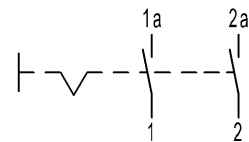
Marking

155..
16 (4) / 250 ~ T100/55 T100
10 (4) / 250 ~ 5E4
5/100A 250V ~



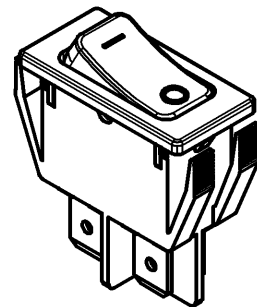
16A 125-250V AC
1 HP 125V AC
2 HP 250V AC
R38

Code of manufacture:
place/year/week



DPST

Suitable for appliances of class II



-	-	-	1552.3104-XX
Figure	Type	Customer No.	Art.No.-PI
Shape and location	Angle ± 2 °	Sheet 01	
	Edge tolerance	Ident. K	Document number 15523104
	Length	Index e	Appliance Switch
	Radii	All dimensions are in millimetres	
e	134536	2020-11-02	MATHPATIR
d	69572	2010-09-30	HHE
b	23635	1995-11-10	RS
a	21323	1992-04-22	MUT
Index	MEC-No.	Date (YYYY-MM-DD)	Edited by
Format DIN A4		Projection	Scale 1:1
System NX V11.0		Replacement of Zg.gl.Nr.v.09.01.1990	

Mouser Electronics

Authorized Distributor

Click to View Pricing, Inventory, Delivery & Lifecycle Information:

[Marquardt:](#)

[1552.3104](#)