

Rigid panel mounting socket retained in place by a nut, which accepts 4mm diameter plugs. Is suitable for panels up to 13,5mm thick. Connection is via a solder tag, although a solder bucket version is available.

MATERIAL SINGLE : Polypropylene

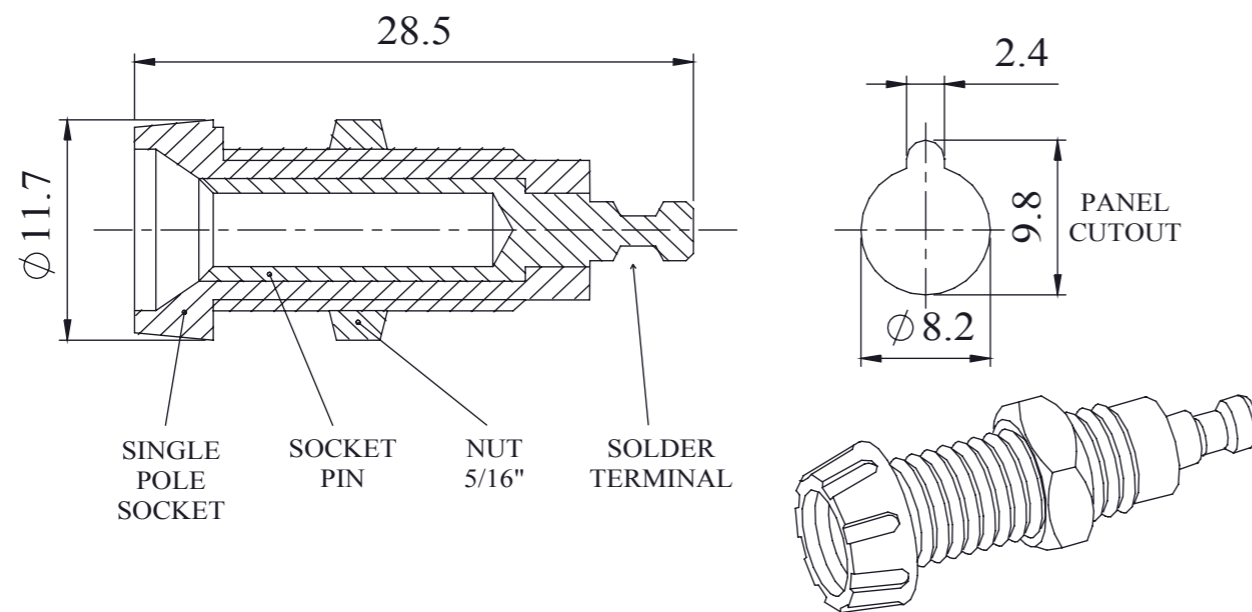
POLE SOCKET SOCKET PIN : Brass, BS2874 CZ121M silver plated

NUT : Brass, BS2874 nickel plated

Rating -  
 Rated Current : 10A.  
 Rated Voltage : 50V.

Nominal Working Voltage : 250 Volts R.M.S.  
 Absolute Max. Rating : 1500 Volts D.C.  
 Contact Resistance : less than 10 milli-ohms  
 Torque Max : 0.4Nm

Dimensions



COLOUR	ORDER CODE
BLACK	551-0100
BLUE	551-0200
BROWN	551-0300
GREEN	551-0400
RED	551-0500
WHITE	551-0600
YELLOW	551-0700

PROPRIETARY AND CONFIDENTIAL  
 THE INFORMATION CONTAINED IN THIS DRAWING IS THE SOLE PROPERTY OF DEM MANUFACTURING.  
 ANY REPRODUCTION IN PART OR AS A WHOLE WITHOUT THE WRITTEN PERMISSION OF DEM MANUFACTURING IS PROHIBITED.

Drawn by SPB 21/05/09

FINISH:

THIRD ANGLE PROJECTION

DEBUR AND BREAK SHARP EDGES

IF IN DOUBT ASK DO NOT SCALE DRAWING

UNLESS OTHERWISE SPECIFIED: DIMENSIONS ARE IN MILLIMETRES LINEAR TOLERANCES:

NO DECIMAL PLACES ±0.5mm  
 1 DECIMAL PLACE ±0.1mm  
 2 DECIMAL PLACES ±0.03mm

ANGULAR TOLERANCES: ±1°

MATERIAL:

A3

TITLE: GENERAL SPECIFICATION FOR 551 SERIES

DWG NO. 551 SERIES

05 ISSUE

# Mouser Electronics

Authorized Distributor

Click to View Pricing, Inventory, Delivery & Lifecycle Information:

[Deltron:](#)

[551-0400](#) [551-0200](#)