

## GENERAL PURPOSE CROCODILE CLIP.

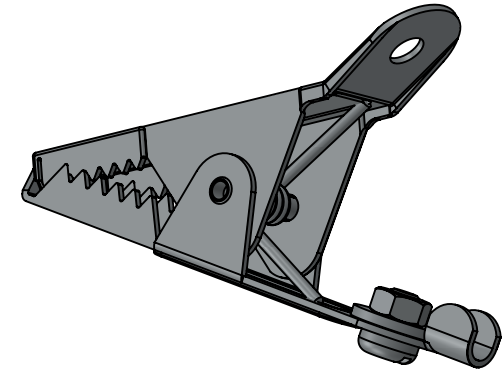
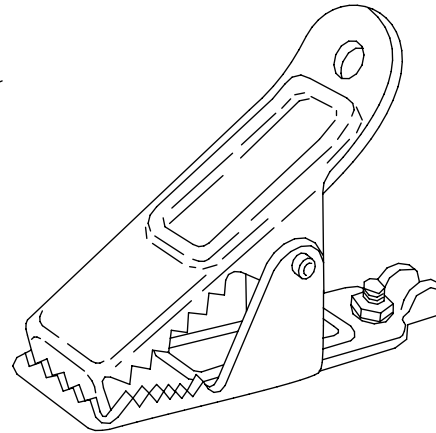
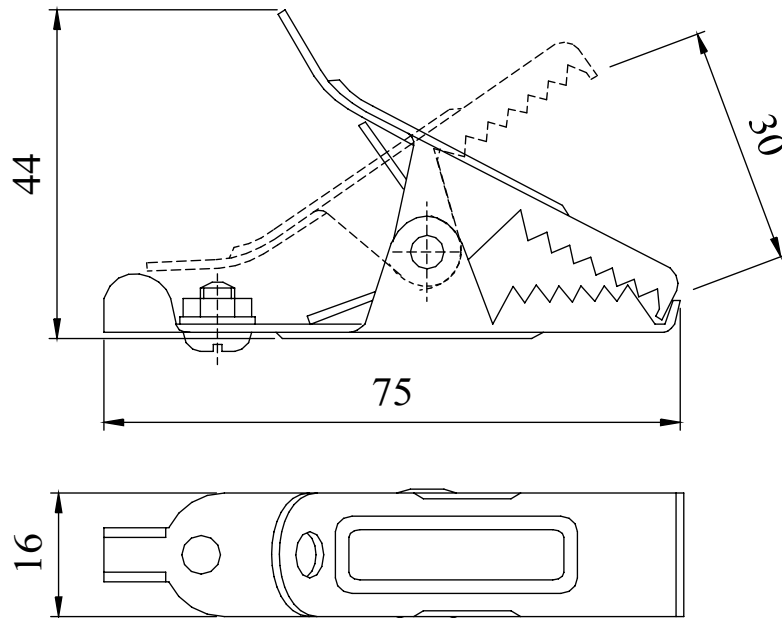
MANUFACTURED FROM BRIGHT MILD STEEL.  
 LARGE (30mm) JAW OPENING MAKES IT SUITABLE FOR USE  
 AS A BATTERY CLIP.  
 THE INTEGRAL CABLE CLAMP HAS A SECURE 4mm SCREW  
 FIXING.  
 THE ENHANCED FINGER GRIP ENSURES A SIMPLE OPERATION.

## MATERIAL

SCREW : M4 X 6mm, MILD STEEL  
 FINISH : NICKEL PLATED  
 NUT : M4, MILD STEEL  
 FINISH : NICKEL PLATED  
 WASHER : M4, MILD STEEL  
 FINISH : NICKEL PLATED

## PROPERTIES

CURRENT RATING : 25 AMPS  
 RATED VOLTAGE: : 50V  
 TEMPERATURE RATING : -20 TO + 200°C



PVC INSULATED BOOT AVAILABLE IN  
 RED 310-0500 OR BLACK 310-0100  
 OPERATING TEMPERATURE WITH BOOT FITTED -20 TO +60°C

# Mouser Electronics

Authorized Distributor

Click to View Pricing, Inventory, Delivery & Lifecycle Information:

[Deltron:](#)

[304-0000](#)