

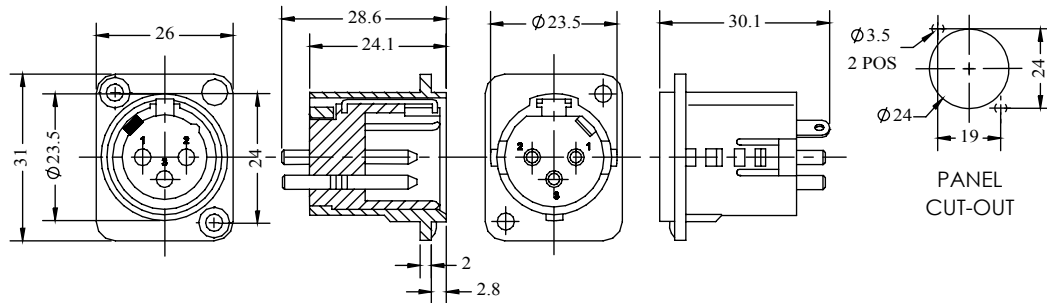
REV 012	1 DATE 23 Apr 2018	ECN NUMBER C03821	2 ECR COMMENT AMEND SILVER SPEC FOR CONTACTS ADD NEW BORDER	3	4	5	6	7
------------	--------------------------	----------------------	---	---	---	---	---	---

THE 7000 UNIVERSAL RANGE OF AUDIO AND VIDEO CONNECTORS EMPLOYS MANY INNOVATIVE FEATURES UNIQUE TO THE DELTRON SERIES. THEY ARE SUITABLE FOR USE IN BOTH COMMERCIAL AND INDUSTRIAL ELECTRONIC APPLICATIONS, WHERE RELIABILITY, SIMPLE OPERATION AND THE ELIMINATION OF RF AND MECHANICAL INTERFERENCE IS NECESSARY. COMMON USES INCLUDED MIXING DESKS, TAPE RECORDERS, VIDEO RECORDERS, DAT RECORDERS AND TEST INSTRUCTIONS.

FEATURES

COMPLETELY INTERCHANGEABLE WITH ALL LEADING MANUFACTURES OF XLRS. CAN BE MOUNTED FROM EITHER THE FRONT OR REAR FACE HOUSING IS A RUGGED DIE-CASTING OFFERING FULL RF PROTECTION, WITH SMALL INDUSTRIAL STANDARD FLANGE. INSERT IS THERMOPLASTIC WITH HIGH MECHANICAL, THERMAL AND ELECTRICAL PROPERTIES, EXCELLENT CHEMICAL RESISTANCE AND DIMENSIONAL STABILITY. CONTACTS ARE PRECISION MACHINED IN BRASS WITH GENEROUS SOLDER BUCKETS TO ACCEPT A WIDE RANGE OF CABLE SIZES. SHELL TO GROUND TERMINAL IS SILVER PLATED STRAIGHT THROUGH CONNECTION.

DIMENSIONS



PART No	SILVER CONTACTS		GOLD CONTACTS	
	NICKEL	BLACK	NICKEL	BLACK
3 WAY	717-0300	719-0300	723-0300	725-0300
4 WAY	717-0400	719-0400	723-0400	725-0400
5 WAY	717-0500	719-0500	723-0500	725-0500

MECHANICAL PROPERTIES

HOUSING FINISH: ZINC HIGH PRESSURE DIECAST SATIN NICKEL OR BLACK CHROME
 CONTACT BASE: VALOX DR48 UL 94V-0
 CONTACTS: BRASS, FLASH SILVER PLATE OR 0.5 MICRONS GOLD PLATE
 EARTH TAG: SPRING STEEL, NICKEL PLATE 3 MICRONS SILVER PLATE

ELECTRICAL

RATED VOLTAGE: 50 V A.C.
 TEST VOLTAGE: 1000 V R.m.s.
 INSULATION RESISTANCE: 103 MΩ
 AFTER DAMP HEAT: 500 MΩ
 CONTACT RESISTANCE: 10 MΩ MAX
 CURRENT RATING AT 40 DEG C: 3 PIN - 15 AMP, 4 PIN - 10, 5 PIN - 7.5 AMP
 CURRENT RATING AT 70 DEG C: 3 PIN - 7.5 AMP, 4 PIN - 5, 5 PIN - 3 AMP
 TERMINAL WIRE SIZES: 3 PIN 2.5 MM² / 14 AWG, 4 PIN 1.5 MM² / 16 AWG, 5 PIN 1.0 MM² / 18 AWG

CLIMATIC

CLIMATIC CATEGORY: 25/070/04
 TEMPERATURE RANGE: -25°C TO +70°C
 DAMP HEAT, STEADY STATE: 4 DAYS

DELTRON Components, bies DEM, DELTRON Enclosures, ROXBURGH EMC, Alpha3 manufacturing

+44(0)1724 273200 www.dem-uk.com

PROPRIETARY AND CONFIDENTIAL:
 THE INFORMATION CONTAINED IN THIS DRAWING IS THE SOLE PROPERTY OF ALPHA 3 MANUFACTURING. ANY REPRODUCTION IN PART OR AS A WHOLE WITHOUT THE WRITTEN PERMISSION OF ALPHA 3 MANUFACTURING IS PROHIBITED.
 DEM Manufacturing is a division of Alpha 3 Manufacturing LTD
 DEM Manufacturing, Deltron Emcon House, Hargreaves Way, Sawcliffe Ind. Park, Scunthorpe, North Lincolnshire, DN15 8RF, UK

UNLESS OTHERWISE SPECIFIED DIMENSIONS ARE IN MILLIMETRES
 LINEAR & RADIAL TOLERANCE:
 NO DECIMAL PLACES: ±0.2mm
 1 DECIMAL PLACE: ±0.1mm
 2 DECIMAL PLACES: ±0.05mm
 ANGULAR TOLERANCE: ±1°

IF IN DOUBT ASK! DO NOT SCALE DRAWING!
 FINISH: SEE NOTES
 MATERIAL: SEE NOTES
 THE FINISHED PRODUCT SHOULD BE CLEAN AND FREE FROM ALL LIQUIDS AND DEBRIS. SURFACES SHOULD BE OF UNIFORM APPEARANCE FREE FROM SHARP EDGES, BURRS AND CORROSION

AUTHOR	Shaun Barron	TITLE	GENERAL SPECIFICATION	
EDITOR	DT	FILE	717-719-723-725	
APPROVER	AY	PART	MULTIPOLE CONNECTOR	
THIRD ANGLE PROJECTION	SHEET 1 OF 1	ISSUE/REV.	012	VERSION 18
SCALE	1:1	A4	RELEASED	EDIT DATE 23 Apr 2018

Mouser Electronics

Authorized Distributor

Click to View Pricing, Inventory, Delivery & Lifecycle Information:

[Deltron:](#)

[717-0300](#) [719-0300](#) [723-0300](#)