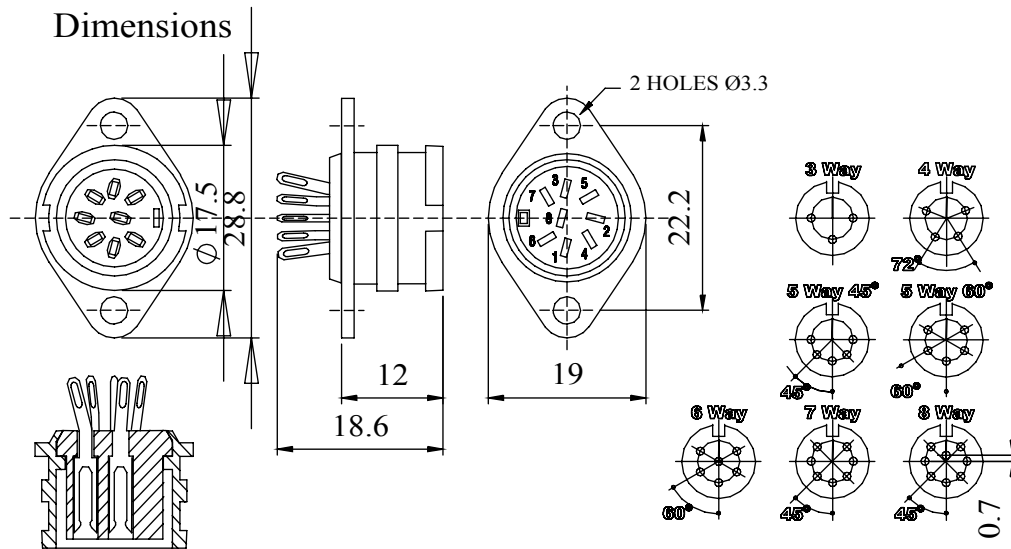


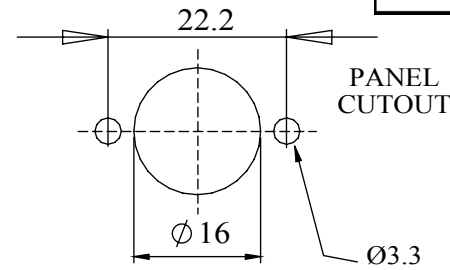
A range of professional chassis mounting sockets, designed for panel mounting via two flange fixing screws. These sockets mate with all standard DIN plugs, but are specifically designed for the Ring Lock Plug Range (592 SERIES), with a quick and simple quarter-turn of the locking ring to secure the plug in place. Can be colour coded via an interchangeable plastic ring, available in six colours.

Materials	
Housing	Mazak
	Bright Nickel Plated
Moulding	Lexan 500R
Contacts	Brass Silver Plated
Electrical	
Rated Voltage	34 V a.c. or d.c.
Current Rating	2.A
Test Voltage	500 V r.m.s.
Insulation Resistance	103 MΩ min at 100 V d.c
Contact Resistance	10 mΩ max
Capacitance (mated)	3pF
Climatic	
Climatic category	25/070/21
Temperature Range	-25°C to +70°C
Damp heat, steady state	21 days

Dimensions



Type	Deltron No
3 Way	593-0300
4 Way	593-0400
5 Way 45°	593-0500
5 Way 60°	593-0510
6 Way	593-0600
7 Way	593-0700
8 Way	593-0800



RoHS
2002/95/EC
Compliant

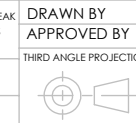
Tel No. +44(0)1724 273200 Website www.dem-uk.com

PROPRIETARY AND CONFIDENTIAL
THE INFORMATION CONTAINED IN THIS DRAWING IS THE SOLE PROPERTY OF
ALPHA 3 MANUFACTURING.
ANY REPRODUCTION IN PART OR AS A WHOLE WITHOUT THE WRITTEN PERMISSION OF
ALPHA 3 MANUFACTURING IS PROHIBITED.

UNLESS OTHERWISE SPECIFIED:
DIMENSIONS ARE IN MILLIMETRES
LINEAR TOLERANCE:
NO DECIMAL PLACES ±0.5mm
1 DECIMAL PLACE ±0.25mm
2 DECIMAL PLACES ±0.125mm
ANGULAR TOLERANCE: ±1°

FINISH RING LOCK DIN CONNECTORS CHASSIS SOCKET
DEBURR AND BREAK SHARP EDGES
DRAWN BY SPB
APPROVED BY WC
THIRD ANGLE PROJECTION
SHEET 1 OF 1
SCALE 1:1
A4

MATERIAL SEE NOTE



SCALE 1:1
A4

TITLE GENERAL SPECIFICATION
593 SERIES CONNECTORS
DRAWING NO. 593 SERIES
ISSUE 07
Release



DEM Manufacturing, Deltron Emcon House
Hargreaves Way, Sawcliffe Ind. Park,
Scunthorpe, North Lincolnshire, DN15 8RF, UK

Mouser Electronics

Authorized Distributor

Click to View Pricing, Inventory, Delivery & Lifecycle Information:

[Deltron:](#)

[593-0510](#)