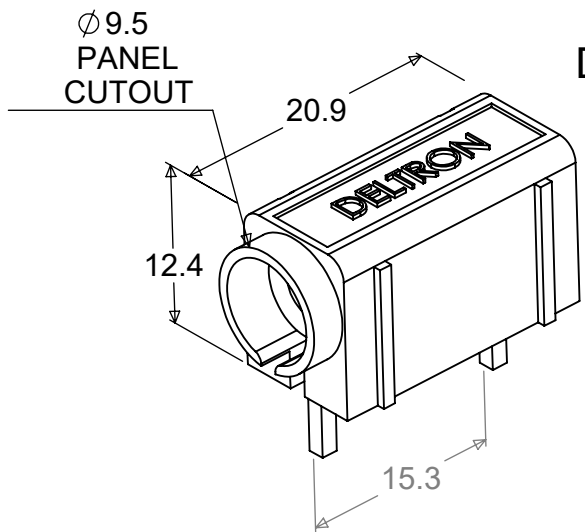


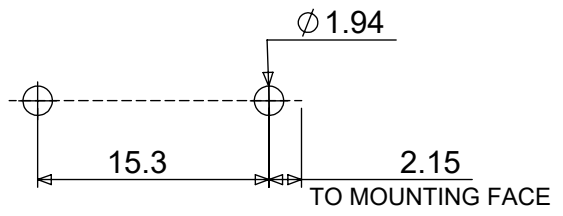
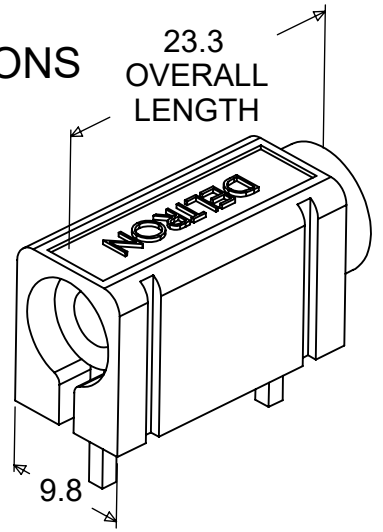
REV	DATE	ECN NUMBER	ECR COMMENT			
017	20 Feb 2019	C04140	Amend leg dimension 5mm to 5.5mm grid ref 3E			
016	12 Sep 2018	C03988	BORDER UPDATED			

AN INSULATED 4mm SOCKET, FOR DIRECT MOUNTING ONTO PRINTED CIRCUIT BOARDS. GROOVES IN THE OUTER ACETAL HOUSING PROVIDE STACKING ALIGNMENT FOR BOARD SPACE SAVING.

Insulant	Acetal
Pin	Brass, Silver Plate
Bush	Brass, Silver Plate
Amps	10A
Working Voltage	50V
Contact Resistance	10mΩ
Maximum Temperature RTI	+ 110°C
Minimum Temperature	-25°C
Recommended Temperature	10A @ 55°C
Voltage Breakdown	5000V
Recommended Conductor size	1.5mm ²
Colours	Order Code
Black	571-0100
Blue	571-0200
Brown	571-0300
Green	571-0400
Red	571-0500
White	571-0600
Yellow	571-0700

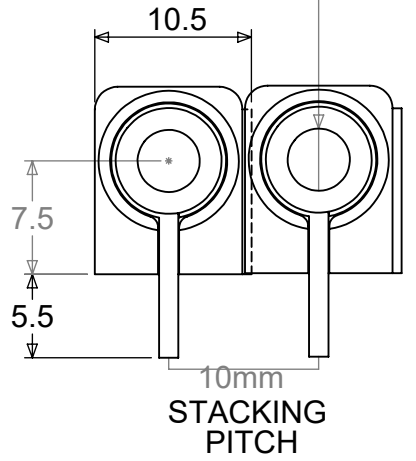


DIMENSIONS



PCB LAYOUT

PCB PIN LENGTH



STACKING PITCH

HOLE TO ACCEPT 4mm PLUG
Ø 4.1

Component complies with 260° deg J-STD-075 Non-IC Electronic Components Standard Met PSL W4

90° PCB MOUNTED INSULATED SOCKET-SINGLE



+44(0)1724 273200
 www.dem-uk.com

PROPRIETARY AND CONFIDENTIAL:
 THE INFORMATION CONTAINED IN THIS DRAWING IS THE SOLE PROPERTY OF ALPHA 3 MANUFACTURING. ANY REPRODUCTION IN PART OR AS A WHOLE WITHOUT THE WRITTEN PERMISSION OF ALPHA 3 MANUFACTURING IS PROHIBITED.
 DEM Manufacturing is a division of Alpha 3 Manufacturing LTD
 DEM Manufacturing, Deltron Emcon House, Hargreaves Way, Sawcliffe Ind. Park, Scunthorpe, North Lincolnshire, DN15 8RF, UK

UNLESS OTHERWISE SPECIFIED DIMENSIONS ARE IN MILLIMETRES
 LINEAR & RADIAL TOLERANCE:
NO DECIMAL PLACES
1 DECIMAL PLACE
2 DECIMAL PLACES
ANGULAR TOLERANCE:

IF IN DOUBT ASK! DO NOT SCALE DRAWING!
 FINISH SEE TABLE
 MATERIAL SEE TABLE
 THE FINISHED PRODUCT SHOULD BE CLEAN AND FREE FROM ALL LIQUIDS AND DEBRIS. SURFACES SHOULD BE OF UNIFORM APPEARANCE FREE FROM SHARP EDGES, BURRS AND CORROSION

AUTHOR SB
 EDITOR DT
 APPROVER WC
 THIRD ANGLE PROJECTION
 SHEET 1 OF 1
 SCALE 2:1 A4

TITLE GENERAL SPECIFICATION
 FILE 571-SERIES
 PART SINGLE 4mm PCB SOCKET
 ISSUE/REV. 017
 VERSION 19
 RELEASED
 EDIT DATE 20 Feb 2019

Mouser Electronics

Authorized Distributor

Click to View Pricing, Inventory, Delivery & Lifecycle Information:

[Deltron:](#)

[571-0700](#)