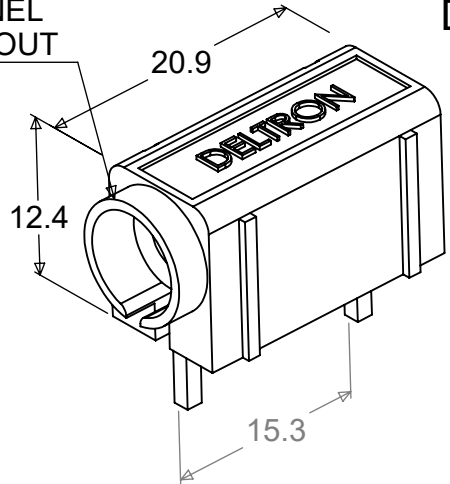


| REV | DATE | ECN NUMBER | ECR COMMENT |
|-----|-------------|------------|--|
| 017 | 20 Feb 2019 | C04140 | Amend leg dimension 5mm to 5.5mm grid ref 3E |
| 016 | 12 Sep 2018 | C03988 | BORDER UPDATED |

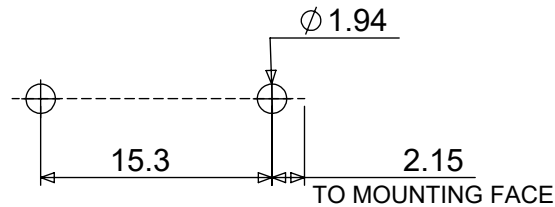
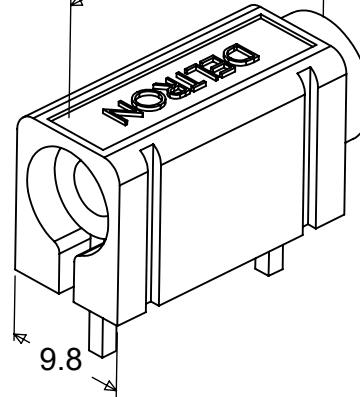
AN INSULATED 4mm SOCKET, FOR DIRECT MOUNTING ONTO PRINTED CIRCUIT BOARDS. GROOVES IN THE OUTER ACETAL HOUSING PROVIDE STACKING ALIGNMENT FOR BOARD SPACE SAVING.

Ø9.5
PANEL
CUTOUT



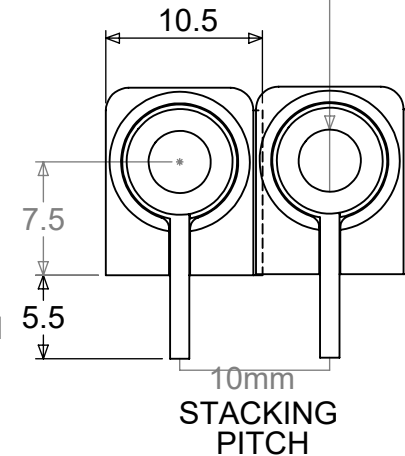
DIMENSIONS

23.3
OVERALL
LENGTH



PCB LAYOUT

HOLE TO ACCEPT
4mm PLUG
Ø4.1



PCB PIN
LENGTH

| | |
|-----------------------------------|---------------------|
| Insulant | Acetal |
| Pin | Brass, Silver Plate |
| Bush | Brass, Silver Plate |
| Amps | 10A |
| Working Voltage | 50V |
| Contact Resistance | 10mΩ |
| Maximum Temperature RTI | + 110°C |
| Minimum Temperature | -25°C |
| Recommended Temperature | 10A @ 55°C |
| Voltage Breakdown | 5000V |
| Recommended Conductor size | 1.5mm ² |
| Colours | Order Code |
| Black | 571-0100 |
| Blue | 571-0200 |
| Brown | 571-0300 |
| Green | 571-0400 |
| Red | 571-0500 |
| White | 571-0600 |
| Yellow | 571-0700 |

Component complies with 260° deg J-STD-075
Non-IC Electronic Components Standard
Met PSL W4

90° PCB MOUNTED INSULATED SOCKET-SINGLE



PROPRIETARY AND CONFIDENTIAL:

THE INFORMATION CONTAINED IN THIS DRAWING IS THE SOLE PROPERTY OF ALPHA 3 MANUFACTURING. ANY REPRODUCTION IN PART OR AS A WHOLE WITHOUT THE WRITTEN PERMISSION OF ALPHA 3 MANUFACTURING IS PROHIBITED.

DEM Manufacturing is a division of Alpha 3 Manufacturing LTD
DEM Manufacturing, Deltron Emcon House, Hargreaves Way,
Sawcliffe Ind. Park, Scunthorpe, North Lincolnshire, DN15 8RF, UK

UNLESS OTHERWISE SPECIFIED DIMENSIONS ARE IN MILLIMETRES
LINEAR & RADIAL TOLERANCE:
NO DECIMAL PLACES
1 DECIMAL PLACE
2 DECIMAL PLACES
ANGULAR TOLERANCE:

IF IN DOUBT ASK! DO NOT SCALE DRAWING!

| | |
|--|-----------|
| FINISH | SEE TABLE |
| MATERIAL | SEE TABLE |
| THE FINISHED PRODUCT SHOULD BE CLEAN AND FREE FROM ALL LIQUIDS AND DEBRIS. SURFACES SHOULD BE OF UNIFORM APPEARANCE FREE FROM SHARP EDGES, BURRS AND CORROSION | |

| | | | |
|------------------------|--------------|------------|-----------------------|
| AUTHOR | SB | TITLE | GENERAL SPECIFICATION |
| EDITOR | DT | FILE | 571-SERIES |
| APPROVER | WC | PART | SINGLE 4mm PCB SOCKET |
| THIRD ANGLE PROJECTION | SHEET 1 OF 1 | ISSUE/REV. | 017 |
| | SCALE 2:1 | A4 | RELEASED |
| | | | VERSION 19 |
| | | | EDIT DATE 20 Feb 2019 |

+44(0)1724 273200

www.dem-uk.com

Mouser Electronics

Authorized Distributor

Click to View Pricing, Inventory, Delivery & Lifecycle Information:

[Deltron:](#)

[571-0600](#)