

General purpose crocodile clip, manufactured from nickel plated steel. This product has been engineered to allow fine wires to be held securely by an undercut turned brass clamping screw. There is a rear entry that will accept 4mm plugs.

MATERIAL

CLIP

Mild Steel,
Nickel plated

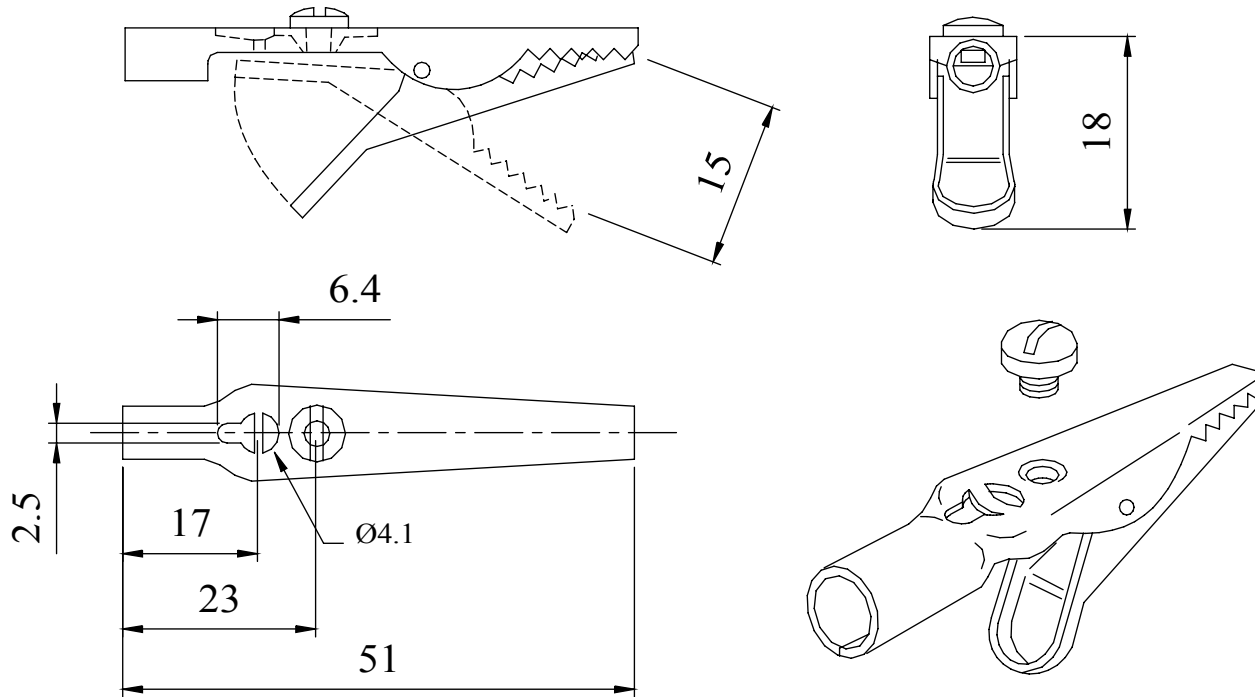
SCREW

Brass,
BS 2874 CZ121

Current Rating: 5 Amps

RATED VOLTAGE: 50V

Dimensions



Tel No. +44(0)1724 273200 Website www.dem-uk.com

PROPRIETARY AND CONFIDENTIAL
THE INFORMATION CONTAINED IN THIS DRAWING IS THE SOLE PROPERTY OF
ALPHA 3 MANUFACTURING.
ANY REPRODUCTION IN PART OR AS A WHOLE WITHOUT THE WRITTEN PERMISSION OF
ALPHA 3 MANUFACTURING IS PROHIBITED.

UNLESS OTHERWISE SPECIFIED:
DIMENSIONS ARE IN MILLIMETRES
LINEAR TOLERANCE:
NO DECIMAL PLACES $\pm 0.5\text{mm}$
1 DECIMAL PLACE $\pm 0.25\text{mm}$
2 DECIMAL PLACES $\pm 0.125\text{mm}$
ANGULAR TOLERANCE: $\pm 1^\circ$



DEM Manufacturing, Deltron Emcon House
Hargreaves Way, Sawcliffe Ind. Park,
Scunthorpe, North Lincolnshire, DN15 8RF, UK

FINISH	SEE NOTE	DEBURR AND BREAK SHARP EDGES
IF IN DOUBT ASK DO NOT SCALE DRAWING		
MATERIAL	SEE NOTE	

DRAWN BY	SPB
APPROVED BY	WC
THIRD ANGLE PROJECTION	

SHEET 1 OF 1
SCALE 1:1
A4

TITLE	GENERAL SPECIFICATION CROCODILE CLIP 303-0000	
DRAWING NO.	303-0000	ISSUE 04 Release

Mouser Electronics

Authorized Distributor

Click to View Pricing, Inventory, Delivery & Lifecycle Information:

[Deltron:](#)

[303-0000](#)