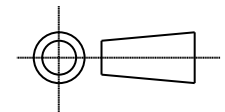


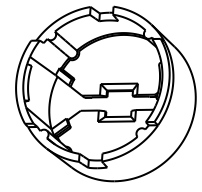
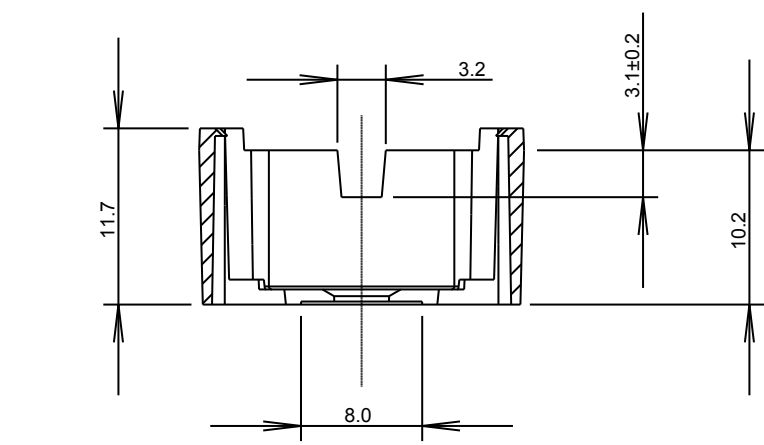
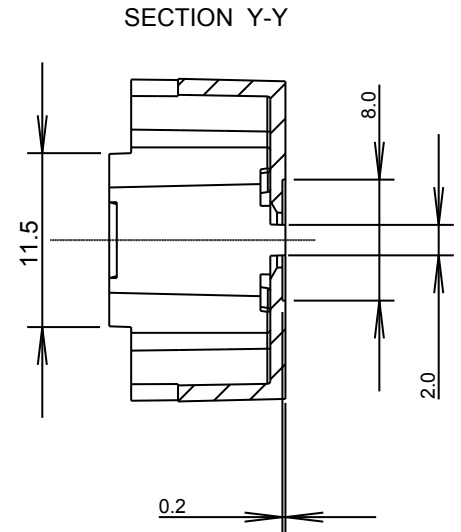
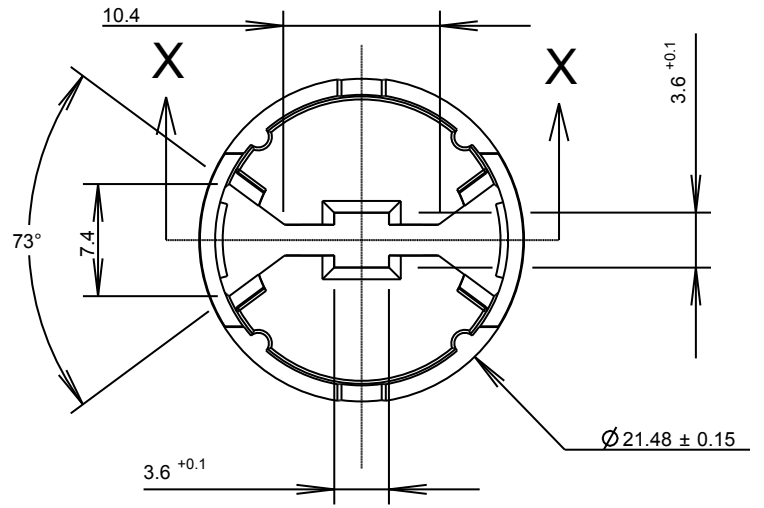
ISS.	DATE	E.C.N.	DESCRIPTION
1	14-Oct-08		FIRST ISSUE

© 2008 CARCLO
ALL DIMENSIONS IN mm



CARCLO TECHNICAL PLASTICS (SLOUGH)
111 BUCKINGHAM AVE, SLOUGH
SL1 4PF, ENGLAND
TEL: +44 1753 575011 FAX: +44 1753 811359
e-mail: design@carclo-optics.com}

CUSTOMER DRAWING



3D GENERAL VIEW
SCALE 1:1

NOTES:
1. MATERIAL: POLYCARBONATE
2. GENERAL WALL THICKNESS 1mm

PART No.	DESCRIPTION
10566	BLACK
10567	WHITE
10568	CLEAR

GENERAL TOLERANCES (UNLESS STATED)

LINEAR	ANGULAR
X +/- 0.25	X +/- 1°
X.X +/- 0.1	X.X +/- 0.5°
X.XX +/- 0.05	X.XX +/- 0.1°

CUSTOMER		
CARCLO		
TITLE		
20MM DIA LED OPTIC HOLDER FOR 3.5 x 3.5MM LEDS		
DRAWN	DATE	
AJD	14-Oct-08	
CHK'D	DATE	
APP'D	DATE	
SCALE	CARCLO PART No.	
2:1	SEE TABLE	
SIZE	CARCLO DRG. No.	SHEET
A4	60544	1 OF 1

Mouser Electronics

Authorized Distributor

Click to View Pricing, Inventory, Delivery & Lifecycle Information:

[Carclo:](#)

[10566](#)