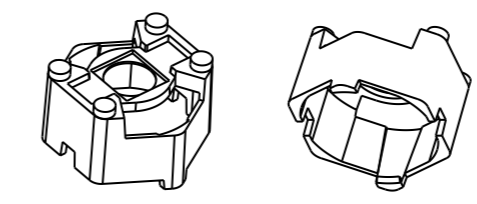
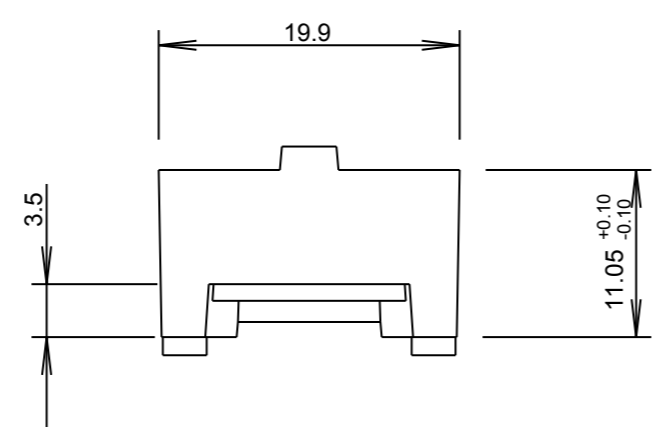
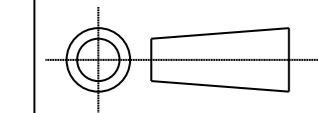


# CUSTOMER DRAWING

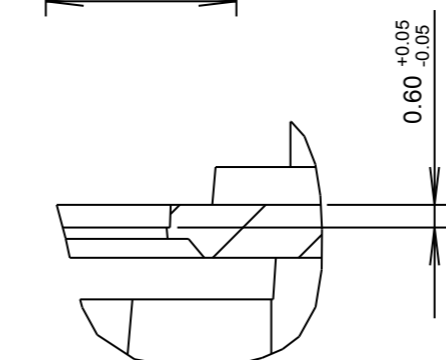
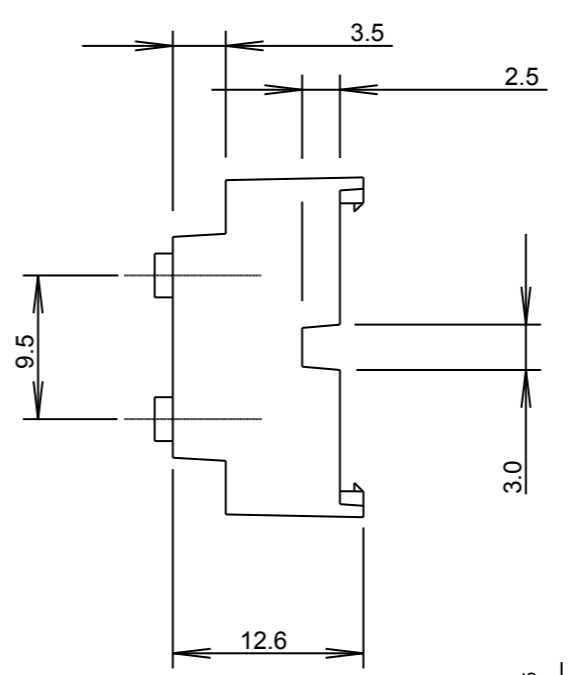
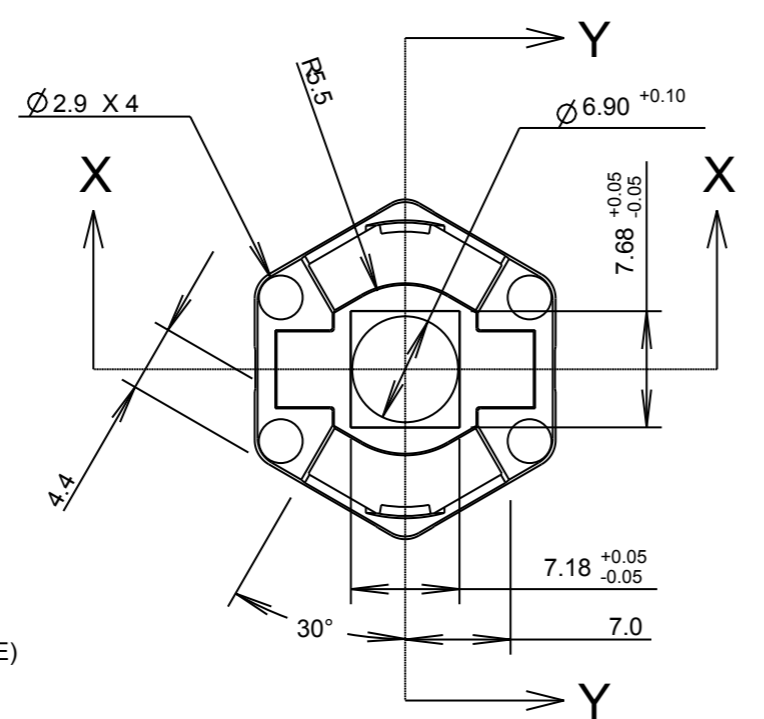
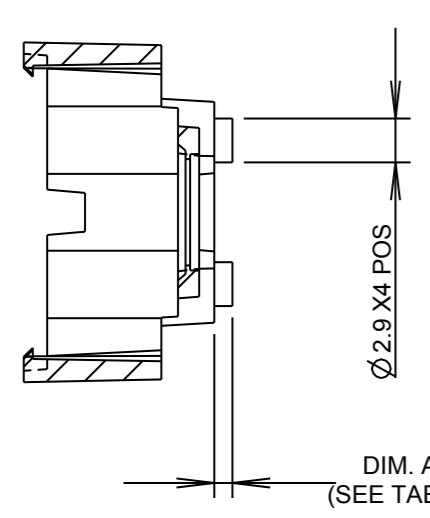
©2008 CARCLO  
ALL DIMENSIONS IN mm

ISS.	DATE	E.C.N.	DESCRIPTION
1	21-Aug-07		FIRST ISSUE
2	23-May-08	05/08/1222	LED HOLE DIAMETER INCREASED FROM 6.8 TO 6.9. POSN REF. 4D. RECTANGULAR RECESS ADDED 7.18 x 7.68. POSN REF. 4D.
3	17-Jul-08	07/08/1228	TWO LUGS REMOVED FROM UNDER SIDE. POSN. REF. D4



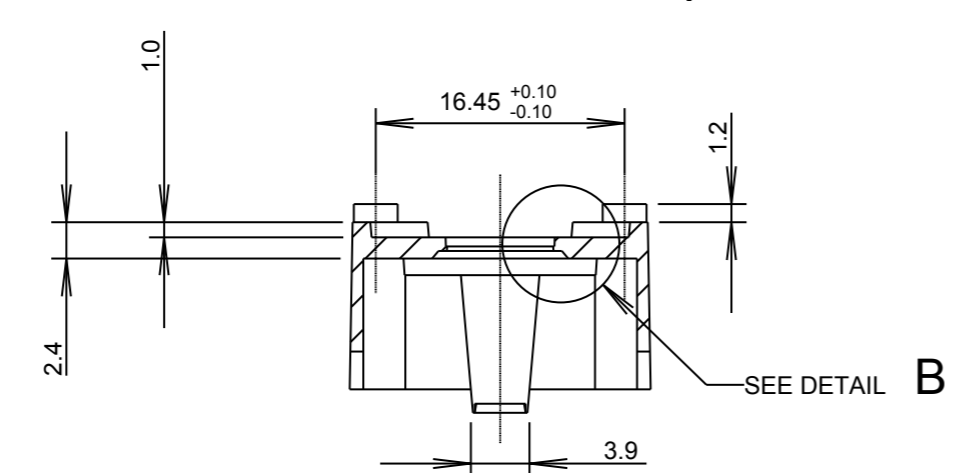
3D VIEWS  
SCALE 1:1

## SECTION Y-Y



DETAIL B  
SCALE 5:1

DIM. A  
(SEE TABLE)



## SECTION X-X

PART No.	DIM. A	MATERIAL
10425	1.2	BLACK POLYCARBONATE
10426	1.2	CLEAR POLYCARBONATE
10427	1.2	WHITE POLYCARBONATE
10428	0.0	BLACK POLYCARBONATE
10429	0.0	CLEAR POLYCARBONATE
10430	0.0	WHITE POLYCARBONATE

**CARCLO TECHNICAL PLASTICS (SLOUGH) LTD.**  
111 BUCKINGHAM AVE, SLOUGH  
SL1 4PF, ENGLAND  
TEL: +44 1753 575011 FAX: +44 1753 811359  
email: design@coil.co.uk

GENERAL TOLERANCES (UNLESS STATED)

LINEAR	ANGULAR
X +/- 0.25	X +/- 1°
X.X +/- 0.1	X.X +/- 0.5°
X.XX +/- 0.05	X.XX +/- 0.1°

CUSTOMER

TITLE

20MM DIA LED OPTIC HOLDER  
FOR CREE XR STAR BOARD

DRAWN	DATE
AJD	21-Aug-07
CHK'D	DATE
APP'D	DATE

SCALE	COIL PART No.
2:1	SEE TABLE

SIZE	COIL DRG. No.	SHEET
A3	60489	1 OF 1

# Mouser Electronics

Authorized Distributor

Click to View Pricing, Inventory, Delivery & Lifecycle Information:

[Carclo:](#)

[10425](#)