

NPN SILICON RF POWER TRANSISTOR

DESCRIPTION:

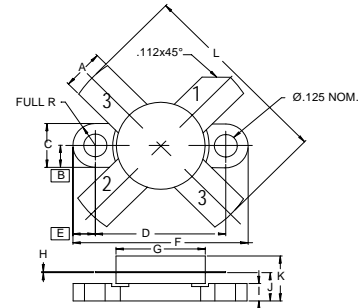
The **ASI MRF492** is a 12.5 V low band VHF large-signal power amplifier applications in commercial and industrial FM equipment.

FEATURES:

- $P_G = 11$ dB min. at 70 W/50 MHz
- $\eta = 50$ %
- **Omnigold™** Metalization System
- Common Emitter configuration

MAXIMUM RATINGS

I_C	20 A
V_{CBO}	36 V
V_{CEO}	18 V
V_{EBO}	4.0 V
P_{DISS}	250 W @ $T_C = 25$ °C
T_J	-65 °C to +200 °C
T_{STG}	-65 °C to +150 °C
θ_{JC}	0.70 °C/W

PACKAGE STYLE .500 4L FLG


DIM	MINIMUM inches / mm	MAXIMUM inches / mm
A	.220 / 5.59	.230 / 5.84
B	.125 / 3.18	
C	.245 / 6.22	.255 / 6.48
D	.720 / 18.28	.730 / 18.54
E	.125 / 3.18	
F	.970 / 24.64	.980 / 24.89
G	.495 / 12.57	.505 / 12.83
H	.003 / 0.08	.007 / 0.18
I	.090 / 2.29	.110 / 2.79
J	.150 / 3.81	.175 / 4.45
K	.280 / 7.11	
L	.980 / 24.89	1.050 / 26.67

1 = COLLECTOR 2 = BASE 3 & 4 = EMITTER

CHARACTERISTICS $T_C = 25$ °C

SYMBOL	TEST CONDITIONS	MINIMUM	TYPICAL	MAXIMUM	UNITS
BV_{CEO}	$I_C = 100$ mA	18			V
BV_{CES}	$I_C = 50$ mA	36			V
BV_{EBO}	$I_E = 10$ mA	4.0			V
I_{CES}	$V_{CE} = 13.6$ V			5	mA
h_{FE}	$V_{CE} = 5.0$ V $I_C = 5.0$ A	10		150	---
C_{ob}	$V_{CB} = 15$ V $f = 1.0$ MHz		275	450	pF
G_P	$V_{CC} = 12.5$ V $P_{OUT} = 70$ W $f = 50$ MHz	11	13		dB
η_C		50			%

Mouser Electronics

Authorized Distributor

Click to View Pricing, Inventory, Delivery & Lifecycle Information:

[Advanced Semiconductor, Inc.:](#)

[MRF492](#)