



**4D SYSTEMS**  
*TURNING TECHNOLOGY INTO ART*

microLCD Display Modules

# DATASHEET

DOCUMENT DATE: 06<sup>th</sup> MARCH 2019  
DOCUMENT REVISION: 1.5



**uLCD-144G2**

Uncontrolled Copy when printed or downloaded.  
Please refer to the 4D Systems website for the latest  
Revision of this document

## Table of Contents

|   |           |
|---|-----------|
| <b>1. Description</b> .....                   | <b>3</b>  |
| <b>2. Features</b> .....                      | <b>3</b>  |
| <b>3. Pin Configuration and Summary</b> ..... | <b>4</b>  |
| <b>4. Hardware Interface - Pins</b> .....     | <b>5</b>  |
| 4.1. Serial Ports – COM0 UART .....           | 5         |
| 4.2. General Purpose I/O .....                | 5         |
| 4.3. System Pins .....                        | 7         |
| <b>5. Module Features</b> .....               | <b>7</b>  |
| 5.1. Display – 1.44” LCD TFT .....            | 7         |
| 5.2. Goldebox Processor .....                 | 7         |
| 5.3. SD/SDHC Memory Cards.....                | 8         |
| <b>6. Display Precautions</b> .....           | <b>8</b>  |
| <b>7. Hardware Tools</b> .....                | <b>9</b>  |
| 7.1. 4D Programming Cable/Adaptor .....       | 9         |
| <b>8. Software Overview - Language</b> .....  | <b>9</b>  |
| <b>9. 4D Systems - Workshop 4 IDE</b> .....   | <b>10</b> |
| 9.1. Workshop4 - Designer .....               | 10        |
| 9.2. Workshop4 – ViSi .....                   | 10        |
| 9.3. Workshop4 – Serial.....                  | 10        |
| 9.4. PmmC/Firmware Programming.....           | 11        |
| <b>10. Starter kit</b> .....                  | <b>11</b> |
| <b>11. Display Module Part Numbers</b> .....  | <b>12</b> |
| <b>12. Mechanical Details</b> .....           | <b>13</b> |
| <b>13. Schematic Diagram – REV 5.0</b> .....  | <b>14</b> |
| <b>14. Specifications</b> .....               | <b>15</b> |
| <b>15. Hardware Revision History</b> .....    | <b>17</b> |
| <b>16. Document Revision History</b> .....    | <b>18</b> |
| <b>17. Legal Notice</b> .....                 | <b>19</b> |
| <b>18. Contact Information</b> .....          | <b>19</b> |

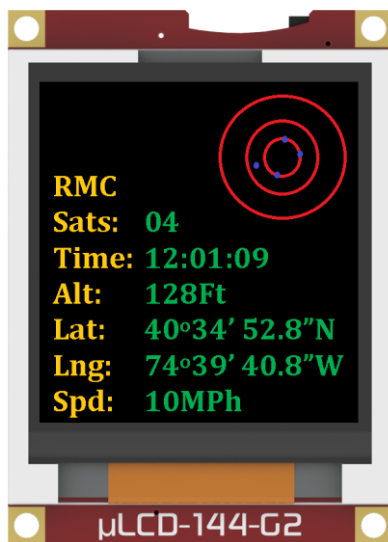
## 1. Description

The uLCD-144G2 is a nifty little display module in 4D Systems microLCD graphics display range. Combining a resolution of 1.44" 128x128 pixels with 65K True to Life colours, this display module is perfect for animations, slideshows and other multimedia presentations. It is the ideal size for attractive embedded display applications.

This module is compact and cost effective and features a 1.44" LCD TFT screen, which is the smallest LCD TFT module available from 4D Systems. Driving the module and its peripherals is the GOLDELOX processor, a very capable chip which provides impressive graphics power, programmed with 4D Systems Workshop IDE Software.

4D Systems Workshop enables graphic solutions to be constructed rapidly and with ease due to its design being solely for 4D's graphics controllers.

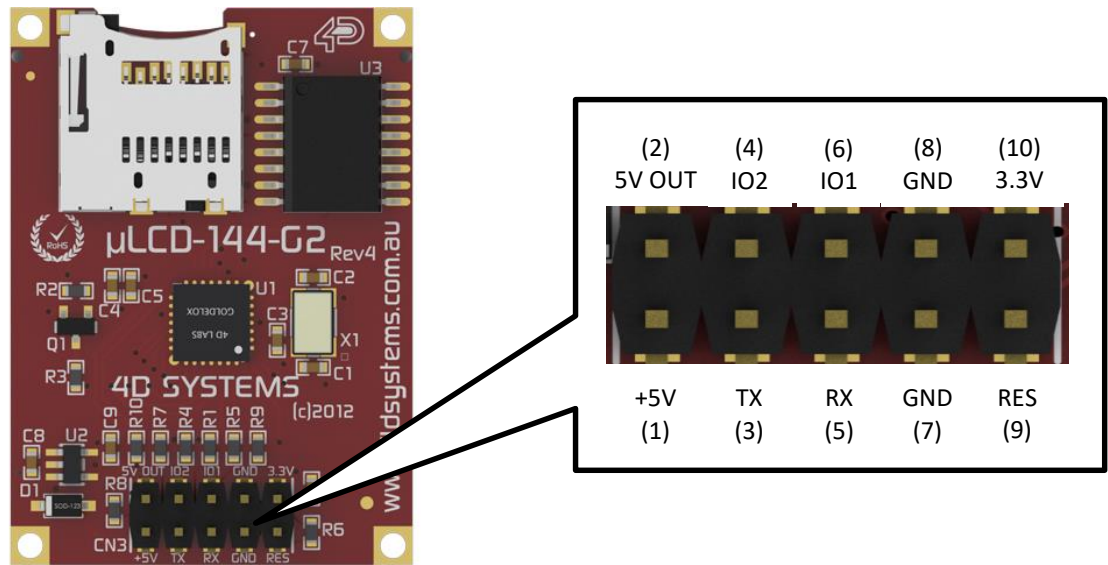
The uLCD-144G2 has a modest but comprehensive range of features suited for an application requiring a bright eye catching display, an analog input, Dallas 1-wire sensor capability, audio generation, or simply digital I/O. This is truly an impressive little module.



## 2. Features

- Low-cost 1.44" OLED display graphics user interface solution.
- 128 x 128 resolution, RGB 65K true to life colours, PMOLED Screen.
- LED back lighting with greater than 150° viewing angle.
- Easy 10 pin interface to any host device: 3.3Vout, IO2, GND, IO1, RESET, GND, RX, TX, +5V, 5V OUT
- Powered by the 4D-Labs GOLDELOX processor (also available as separate OEM IC).
- 10KB of flash memory for user code storage and 510 bytes of RAM for user variables (255 x 16bit vars).
- Asynchronous hardware serial UART port with auto-baud, TTL interface, with 300 to 600K baud
- 2 x General Purpose I/O pins.
- IO1 supports:
  - Digital I/O
  - A/D Converter with 8/0 bit resolution
  - Complex sound generation
  - Dedicated RTTTL tune engine
  - Multi-Switch Joystick, Buttons
  - Dallas 1-Wire
- IO2 supports:
  - Digital I/O
  - Complex sound generation
  - Dedicated RTTTL tune engine
  - Dallas 1-Wire
- On board micro-SD memory card adaptor for multimedia storage and data logging purposes. HC memory card support is also available for cards larger than 4GB.
- Built in extensive 4DGL graphics and system library functions
- Display full colour images, animations, icons and video clips (no audio support for video).
- Supports all available Windows fonts and characters (imported as external fonts).
- 4.0V to 5.5V range operation (single supply), nominal 5.0V.
- Module dimensions: 31.0 x 42.0 x 14 mm (including header pins)
- Weight ~ 10g.
- Display Viewing Area: 25.5 x 26.5 mm
- RoHS Compliant.

### 3. Pin Configuration and Summary



| Interface/Programming Header |        |     |   |
|------------------------------|--------|-----|---|
| Pin                          | Symbol | I/O | Description   |
| 1                            | +5V    | P   | Main Voltage Supply +ve input pin. Reverse polarity protected. Range is 4.0V to 5.5V, nominal 5.0V.   |
| 2                            | 5V OUT | P   | 5V OUT provides approximately 4.7 V through a protection diode.   |
| 3                            | TX     | O   | Asynchronous Serial Transmit pin. Output data is at TTL voltage levels. Connect this pin to external device Serial Receive (Rx) signal. This pin is tolerant up to 5.0V levels.   |
| 4                            | IO2    | I/O | General purpose IO2 pin. See section 4.2 for more detail.   |
| 5                            | RX     | I   | Asynchronous Serial Receive pin. Connect this pin to external device Serial Transmit (Tx) signal. This pin is tolerant up to 5.0V levels.   |
| 6                            | IO1    | I/O | General purpose IO1 pin. See section 4.2 for more detail.   |
| 7                            | GND    | P   | Supply Ground.  |
| 8                            | GND    | P   | Supply Ground.  |
| 9                            | RESET  | I   | Master Reset signal. Internally pulled up to 3.3V via a 4.7K resistor. An active Low pulse greater than 2.0 $\mu$ s will reset the module. If the module needs to be reset externally, only use open collector type circuits. This pin is not driven low by any internal conditions. The host should control this pin via one of its port pins using an open collector/drain arrangement. |
| 10                           | 3.3V   | P   | Regulated 3.3 Volts output, maximum available current 50mA to power external circuitry.   |

I = Input, O = Output, P = Power

## 4. Hardware Interface - Pins

The uLCD-144G2 provides both a hardware and software interface. This section describes in detail the hardware interface pins of the device.

### 4.1. Serial Ports – COM0 UART

The uLCD-144G2 has a dedicated hardware UART that can communicate with external serial devices.

The primary features are:

- Full-Duplex 8 bit data transmission and reception through the TX and RX pins.
- Data format: 8 bits, No Parity, 1 Stop bit.
- Auto Baud feature.
- Baud rates from 300 baud up to 600K baud.

The Serial port is also the primary interface for downloading compiled 4DGL application code as well as future PmmC/Firmware updates for the on-board GOLDELOX processor. Refer to *Section 5. PmmC/Firmware Programming* for more details.

#### TX pin 3 (Serial Transmit):

Asynchronous Serial port Transmit pin, TX. The serial output data is at TTL voltage levels. Connect this pin to external serial device Rx signal.

#### Rx pin 5 (Serial Receive):

Asynchronous Serial port Receive pin, RX. Connect this pin to external serial device Transmit Tx signal.

### 4.2. General Purpose I/O

There are 2 GPIO pins available, IO1 and IO2. Each GPIO has a multitude of high level functions associated with it and these can be selected within 4DGL user application code.

Refer to the separate document titled **“Goldelox-4DGL-Internal-Functions.pdf”** for a complete set of built in 4DGL library functions.

#### IO1 pin 6 (General Purpose IO1):

General purpose IO1 pin. The following table lists the available GPIO functions and features.

#### IO2 pin 4 (General Purpose IO2):

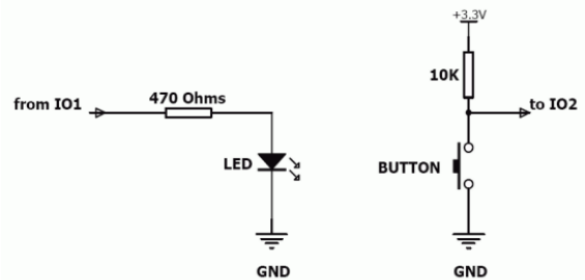
General purpose IO2 pin. The following tables lists the available GPIO functions and features

**Note:** Digital GPIO pins are 5.0V tolerant

| GPIO Functions and Features        |     |     |
|------------------------------------|-----|-----|
| Function                           | IO1 | IO2 |
| Digital Input                      | ✓   | ✓   |
| Digital Output                     | ✓   | ✓   |
| A/D Converter 8/10 bits            | ✓   |     |
| Joystick – 5 position multi-switch | ✓   |     |
| Dallas 1-Wire support              | ✓   | ✓   |
| Sound Generation, RTTL Tune        | ✓   | ✓   |

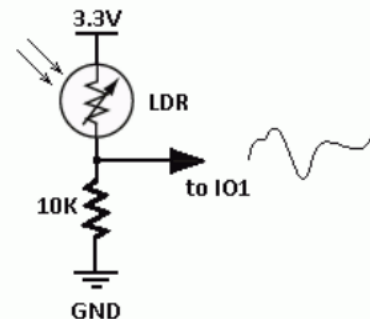
#### Input/Output:

Both IO1 and IO2 pins can be programmed to be Inputs or Outputs. Diagram below shows a LED connected to IO1 (programmed as an output) and a button connected to IO2 (programmed as an input).



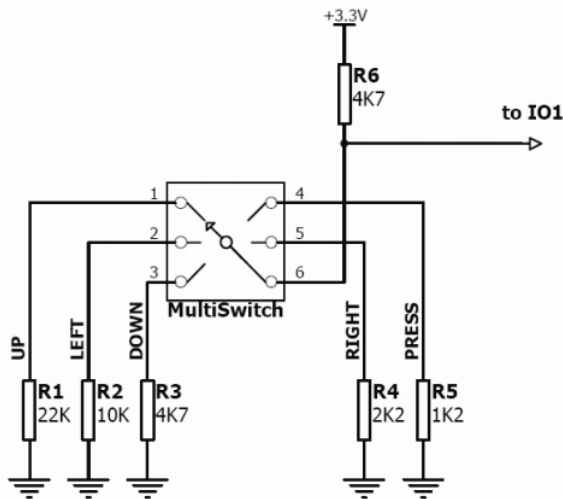
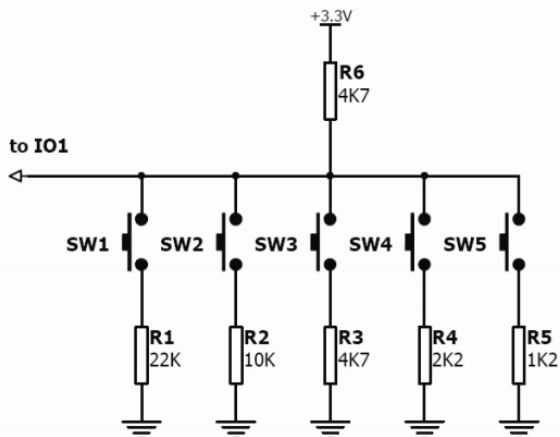
#### Analogue to Digital Converter:

The IO1 pin can be programmed as an A/D input. Option is available to select 8 bit or 10 bit resolution. Diagram below is a circuit of a Light Dependent Resistor (LDR) connected to IO1 to measure and record changes in ambient light.



**Joystick – Multi Switch:**

Multiple buttons or a multi-switch Joystick can be connected to the IO1 pin on the uLCD-144G2 module. Up to five buttons or a 5 position multi-switch joystick connects to a junction of a resistor ladder network that forms a voltage divider. The A/D converter of the IO1 pin internally reads the analogue value and decodes it accordingly. This feature is supported by dedicated 4DGL library functions. The following diagrams indicate how to connect up to five individual buttons or a multi switch joystick to the IO1 pin.



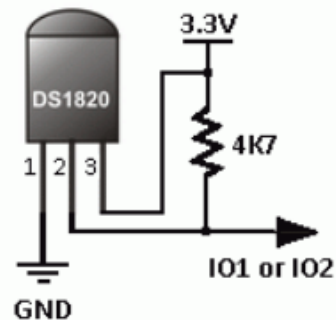
Unused buttons do not need resistors to be connected to the circuit. Table below lists the buttons and corresponding resistor values.

| GPIO Functions and Features |               |                |
|-----------------------------|---------------|----------------|
| Number of Buttons           | Button Number | Resistor Value |
| 1                           | SW1           | 22K            |
| 2                           | SW2           | 10K            |
| 3                           | SW3           | 4.7K           |
| 4                           | SW4           | 2.2K           |
| 5                           | SW5           | 1.2K           |

**Dallas 1-Wire**

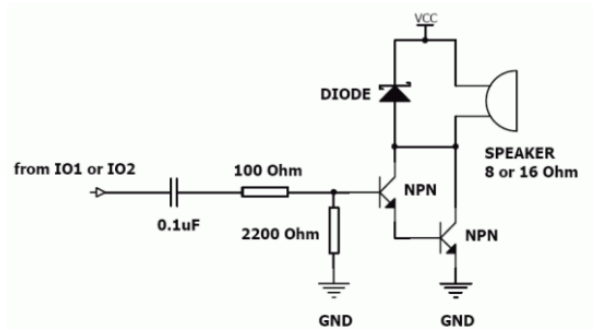
The Dallas 1-Wire protocol is a form of serial communications designed to operate over a single data line plus ground reference. Multiple 1 Wire devices can be attached to the same shared data line to network many devices. One wire device support is available on both the IO1 and the IO2 pins on the uLCD-144G2 module.

The following diagram depicts a typical 1-Wire temperature sensor interface.



**Sound Output:**

The uLCD-144G2 module is capable of generating complex sounds and RTTL tunes from its IO1 and IO2 pins. A simple speaker circuit as shown below can be utilised.



### 4.3. System Pins

#### +5V (Module Voltage Input)

##### Pin 1:

Module supply voltage input pin. This pin must be connected to a regulated supply voltage in the range of 4.0 Volts to 5.5 Volts DC. Nominal operating voltage is 5.0 Volts.

#### 5V Out(~4.7V)

##### Pin 2:

External circuitry that requires approximately 5V supply can be powered up via this pin. Maximum available current is 50 mA

#### GND (Module Ground)

##### Pins 7, 8:

Device ground pins. These pins must be connected to ground

#### RESET (Module Master Reset)

##### Pin 9:

Module Master Reset pin. An active low pulse of greater than 2 micro-seconds will reset the module. Internally pulled up to 3.3V via a 4.7K resistor. Only use open collector type circuits to reset the device if an external reset is required.

#### 3.3 Vout (3.3V Regulated Output)

##### Pin 10:

External circuitry that requires a regulated 3.3 V supply can be powered up via this pin. Maximum available current is 50mA.

## 5. Module Features

The uLCD-144G2 module is designed to accommodate most applications. Some of the main features of the module are listed below.

### 5.1. Display – 1.44” LCD TFT

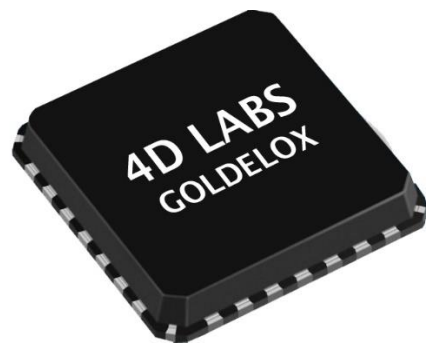
The uLCD-144G2 is equipped with a full colour LCD TFT screen. Some of the features of the screen are:

- Screen Size: 1.44” diagonal
- 128 x 128 Resolution LCD TFT display
- Screen Dimensions: 30.9 x 36.5 mm.
- Viewing Area: 25.5 x 26.5 mm
- 65K true to life colours
- Luminance: 250 cd/m<sup>2</sup>
- Contrast Ratio: 450
- Viewing Angle: > 150 degrees
- LED Back lighting

**Note:** The Displays used are the highest rated ‘Grade A’ Displays, which allow for 0-4 defective pixels. A defective pixel could be solid Black (Dead), White, Red, Green or Blue

### 5.2. Goldelox Processor

The module is designed around the GOLDELOX Graphics Processor from 4D-Labs



The GOLDELOX is a custom embedded graphics processor designed to interface with many popular OLED and LCD display panels. Powerful graphics, text, image, animation and countless more features are built right inside the chip. It offers a simple plug-n-play interface to many 8bit 80-Series colour LCD and OLED displays.

The chip is designed to work with minimal design effort and all of the data and control signals are provided by the chip to interface directly to the

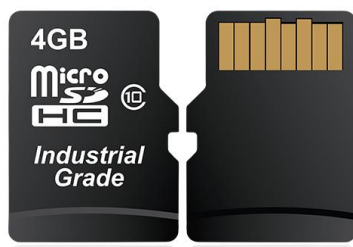


display. Simply choose your display and interface it to the GOLDELOX on your application board. This offers enormous advantage to the designer in development time and cost saving and takes away all of the burden of low level design.

The data sheet for the processor is available from the <http://www.4dsystems.com.au> website: *"GOLDELOX-DS-revx.pdf"*

### 5.3. SD/SDHC Memory Cards

The module supports micro-SD memory cards via the on-board micro-SD connector. The memory card is used for all multimedia file retrieval such as images, animations and movie clips. The memory card can also be used as general purpose storage for data logging applications. Support is available for off-the-shelf micro-SD and high capacity HC memory cards (4GB and above).



**Note:** A microSD card capable of SPI is a requirement for all 4D Systems' display modules powered by Goldelox, Picaso or Diablo16 Processors. If a non-SPI compatible card is used, it will simply fail to mount, or may cause intermittent issues resulting in lock ups and crashing of the application. Please refer to the 4D Systems website for microSD cards offered by 4D Systems.



## 6. Display Precautions

- Avoid having to display the same image/object on the screen for lengthy periods of time. This will cause a burn-in which is a common problem with all types of display technologies. Blank the screen after a while or dim it very low by adjusting the contrast. Better still; implement a screen saver feature.
- Moisture and water can damage the display. Moisture on the surface of a powered display will cause the electrodes to corrode. Wipe off any moisture gently or let the display dry before usage.
- Dirt from fingerprint oil and fat can easily stain the surface of the display. Gently wipe off any stains with a soft lint-free cloth.
- The performance of the display will degrade under high temperature and humidity. Avoid such conditions when storing.
- Do not tamper with the display flex cable that is connected to the control board. This may affect the connection between the display and the driving circuitry and cause failure.
- Displays are susceptible to mechanical shock and any force exerted on the module may result in deformed zebra strips and cracks, a cracked display cell and broken backlight.
- Always use the mounting holes on the module's printed circuit board to mount the display.



## 7. Hardware Tools

The following hardware tools are required for full control of the uLCD-144G2 module.

### 7.1. 4D Programming Cable/Adaptor

The 4D Programming Cable and uUSB-PA5-II Programming Adaptor are essential hardware tools to program, customise and test the GOLDELOX Processor.

Either the 4D Programming Cable or the uUSB-PA5-II Programming Adaptor can be used

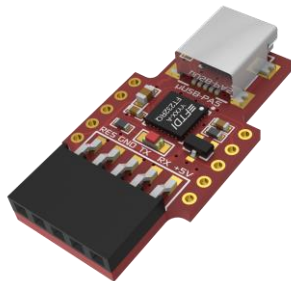
The 4D programming interfaces are used to program a new Firmware/PmmC, Display Driver and for downloading compiled 4DGL code into the processor. They even serve as an interface for communicating serial data to the PC.

The 4D Programming Cable and uUSB-PA5-II Programming Adaptor are available from 4D Systems, [www.4dsystems.com.au](http://www.4dsystems.com.au)

Using a non-4D programming interface could damage your processor, and **void your Warranty.**



[4D Programming Cable](#)



[uUSB-PA5-II Programming Adaptor](#)

## 8. Software Overview - Language

The heart of the uLCD-144G2 module is the GOLDELOX graphics processor from 4D Labs. The GOLDELOX belongs to a family of processors powered by a highly optimised soft core virtual engine, EVE (Extensible Virtual Engine).

EVE is a proprietary, high performance virtual machine with an extensive byte-code instruction set optimised to execute compiled 4DGL programs. 4DGL (4D Graphics Language) was specifically developed from ground up for the EVE engine core. It is a high level language which is easy to learn and simple to understand yet powerful enough to tackle many embedded graphics applications.

4DGL is a graphics oriented language allowing rapid application development, and the syntax structure was designed using elements of popular languages such as C, Basic, Pascal and others.

Programmers familiar with these languages will feel right at home with 4DGL. It includes many familiar instructions such as IF..ELSE..ENDIF, WHILE..WEND, REPEAT..UNTIL, GOSUB..ENDSUB, GOTO, PRINT as well as some specialised instructions SERIN, SEROUT, GFX\_LINE, GFX\_CIRCLE and many more.

For detailed information pertaining to the 4DGL language, please refer to the following documents: **"4DGL-Programmers-Reference-Manual.pdf"** **"GOLDELOX-4DGL-Internal-Functions.pdf"**

To assist with the development of 4DGL applications, the Workshop 4 IDE combines a full-featured editor, a compiler, a linker and a downloader into a single PC-based application. It's all you need to code, test and run your applications.

4DGL is available to be written in two of the three environments offered by the Workshop 4 IDE, Designer and ViSi.

## 9. 4D Systems - Workshop 4 IDE

Workshop 4 is a comprehensive software IDE that provides an integrated software development platform for all of the 4D family of processors and modules. The IDE combines the Editor, Compiler, Linker and Downloader to develop complete 4DGL application code. All user application code is developed within the Workshop 4 IDE.



The Workshop 4 IDE supports multiple development environments for the user, to cater for different user requirements and skill levels.

- The **Designer** environment enables the user to write 4DGL code in its natural form to program the range of 4D Systems intelligent displays.
- A visual programming experience, suitably called **ViSi**, enables drag-and-drop type placement of objects to assist with 4DGL code generation and allows the user to visualise how the display will look while being developed.
- A **Serial** environment is also provided to transform the display module into a slave serial module, allowing the user to control the display from any host microcontroller or device with a serial port.

The Workshop 4 IDE is available from the 4D Systems website. [www.4dsystems.com.au](http://www.4dsystems.com.au)

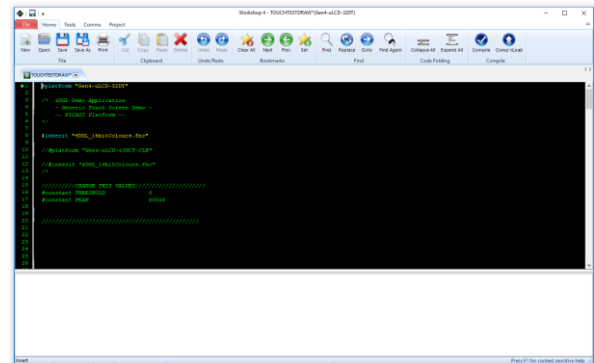
For comprehensive manuals on the Workshop 4 IDE Software, the language, and its environments, refer to the documentation from the 4D Systems website, on the [Workshop 4 product page](#).

### 9.1. Workshop4 - Designer

Choose the Designer environment to write 4DGL code in its raw form.

The Designer environment provides the user with a simple yet effective programming environment where pure 4DGL code can be written, compiled and

downloaded to the range of 4D Systems intelligent display modules.

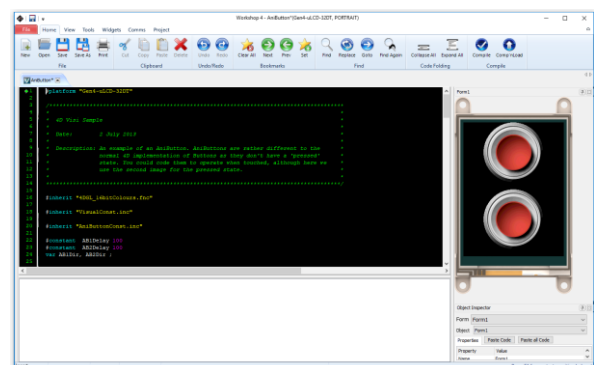


Designer is a very powerful environment, for those use to developing without any form of GUI aid, or for those developing complex systems where no aid is required.

### 9.2. Workshop4 – ViSi

ViSi was designed to make the creation of graphical displays a more visual experience.

ViSi is a great software tool that allows the user to see the instant results of their desired graphical layout. Additionally, there is a selection of inbuilt dials, gauges and meters that can simply be placed onto the simulated module display. From here each object can have its properties edited, and at the click of a button all relevant 4DGL code associated with that object is produced in the user program. The user can then write 4DGL code around these objects to utilise them in the way they choose.



### 9.3. Workshop4 – Serial

The Serial environment in the Workshop 4 IDE provides the user the ability to transform a 4D Systems Intelligent Display, into a slave serial graphics controller.

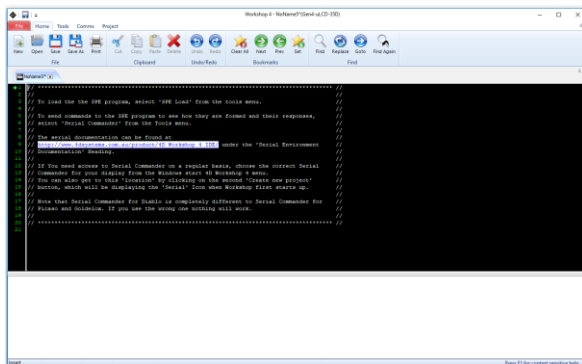
This enables the user to use their favourite microcontroller or serial device as the Host, without having to learn 4DGL or program in a separate IDE.

Once the display module is configured by the Serial Environment (by downloading what is called the SPE application to the module), commands can be sent from the users host microcontroller to display primitives, images, sound and video, and can even be used to display ViSi generated graphics and widgets.

The Serial Environment should not be taken as being basic in terms of its capabilities, as it has the full 4DGL command set behind it, but available from the Host rather than from programming the display module itself using the Workshop4 IDE.

Virtually anything created in Designer or ViSi, can be designed or controlled from the Serial Environment.

Please refer to the *“Goldelox Serial Command Set Reference Manual”* from the [Workshop 4 product page](#) on the 4D Systems website for a complete listing of all the supported Serial commands



## 9.4. PmmC/Firmware Programming

The Goldelox processor on the uLCD-144G2 module can be reprogrammed with the latest PmmC configuration for updates and future proofing. The chip-level configuration is available as a PmmC (Personality-module-micro-Code) file and the programming must be performed over the serial interface. The chip-resident internal 4DGL functions are part of the GOLDELOX PmmC configuration file so please check regularly for the latest updates and enhancements.

The PmmC file is programmed into the device with the aid of Workshop4, the 4D Systems IDE software (See Section 10). To provide a link between the PC and the ICSP interface, a specific 4D Programming Cable is required and is available from 4D Systems. Using a non-4-D programming interface could damage your display, and **void your Warranty**.

## 10. Starter kit

4D Systems highly recommends all first time buyers of 4D Systems' displays, to purchase the Starter Kit when purchasing their first 4D Systems display solution.

The Starter Kit provides all the hardware that is required to get the User up and running.

Not all development environments and features will be needed by every User. However, by purchasing the display solution in a Starter Kit allows you to take full advantage of all of the features of the 4D Systems Display Solution and try out each of the 4D Workshop4 Environments prior to settling with the preferred feature-set.

The **Designer** environment can utilise every feature of the display, however depending on the user requirements, a micro-SD (uSD) card may not be required. The uSD card is used when displaying images/video/sound, along with datalogging to uSD, and a programming cable or adaptor is required for downloading compiled code and PmmC/Firmware updates.

The **ViSi** environment is the same as Designer in terms of feature utilisation, but is image based so requires a uSD card, along with a programming cable.

The **Serial** environment does not require either a uSD or Programming cable to be used once the module has been configured as a Serial device, however can utilise both depending on the user requirements. The uSD card can be used for such things as storage and display of multimedia files, datalogging, and the Programming cable for PmmC/Firmware updates, or changing to one of the other three programming environments.

Starter Kits typically include:

- uLCD-144G2 Display Module
- uUSB-PA5-II Programming Adaptor
- 4GB micro-SD Card
- 5-way Male to Male adaptor (for converting the Female-Female cable to be Male-Female)
- 150mm 5 way Female-Female jumper cable, for quick connection to another device or breadboard
- Quick Start Guide

Please refer to the 4D Systems website for current components included in the Starter Kit.

Simply select the Starter Kit option when purchasing the chosen display module on the 4D Systems shopping cart, or from your local distributor.

## 11. Display Module Part Numbers

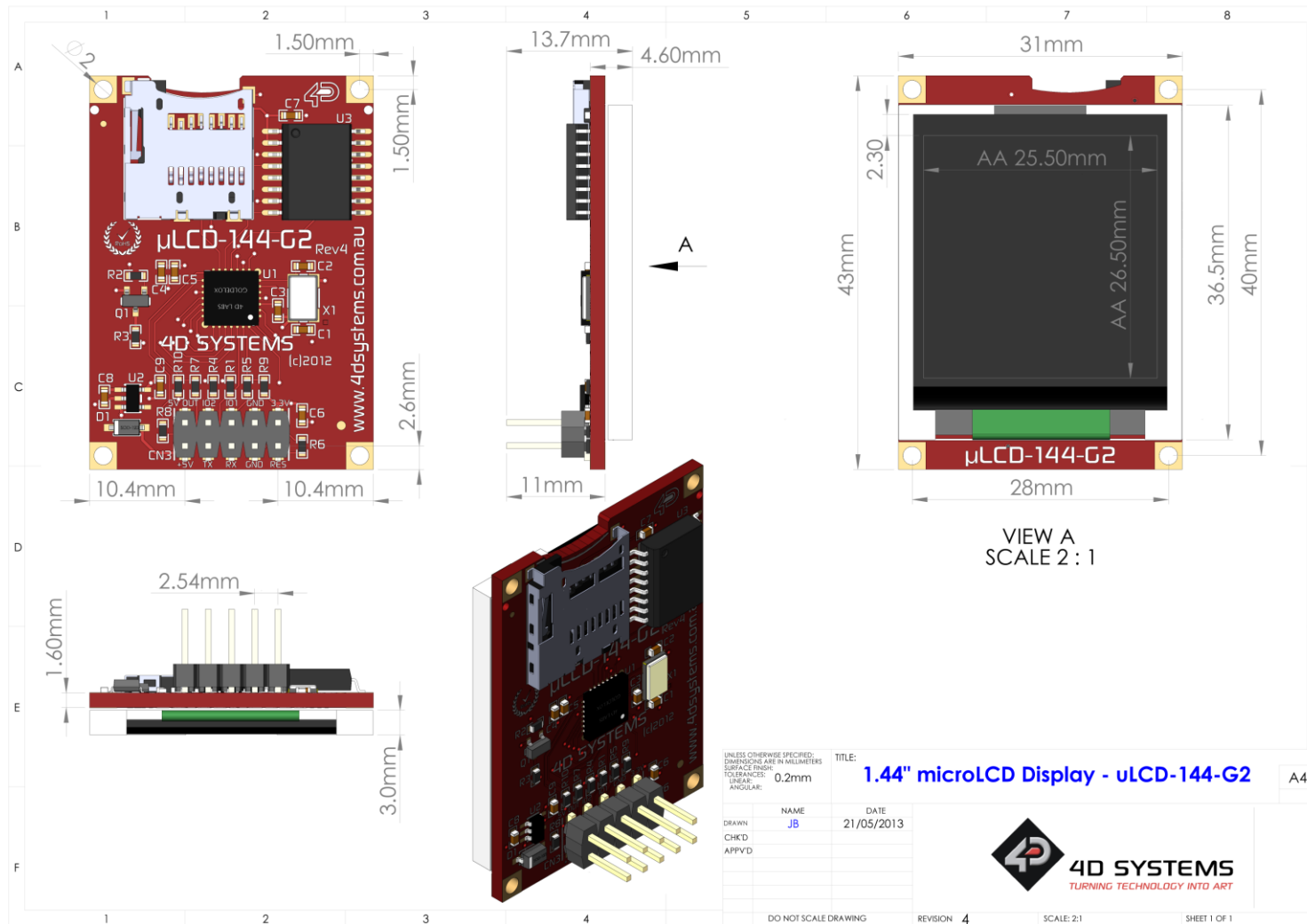
The following is a breakdown on the part numbers and what they mean.

**Example:**

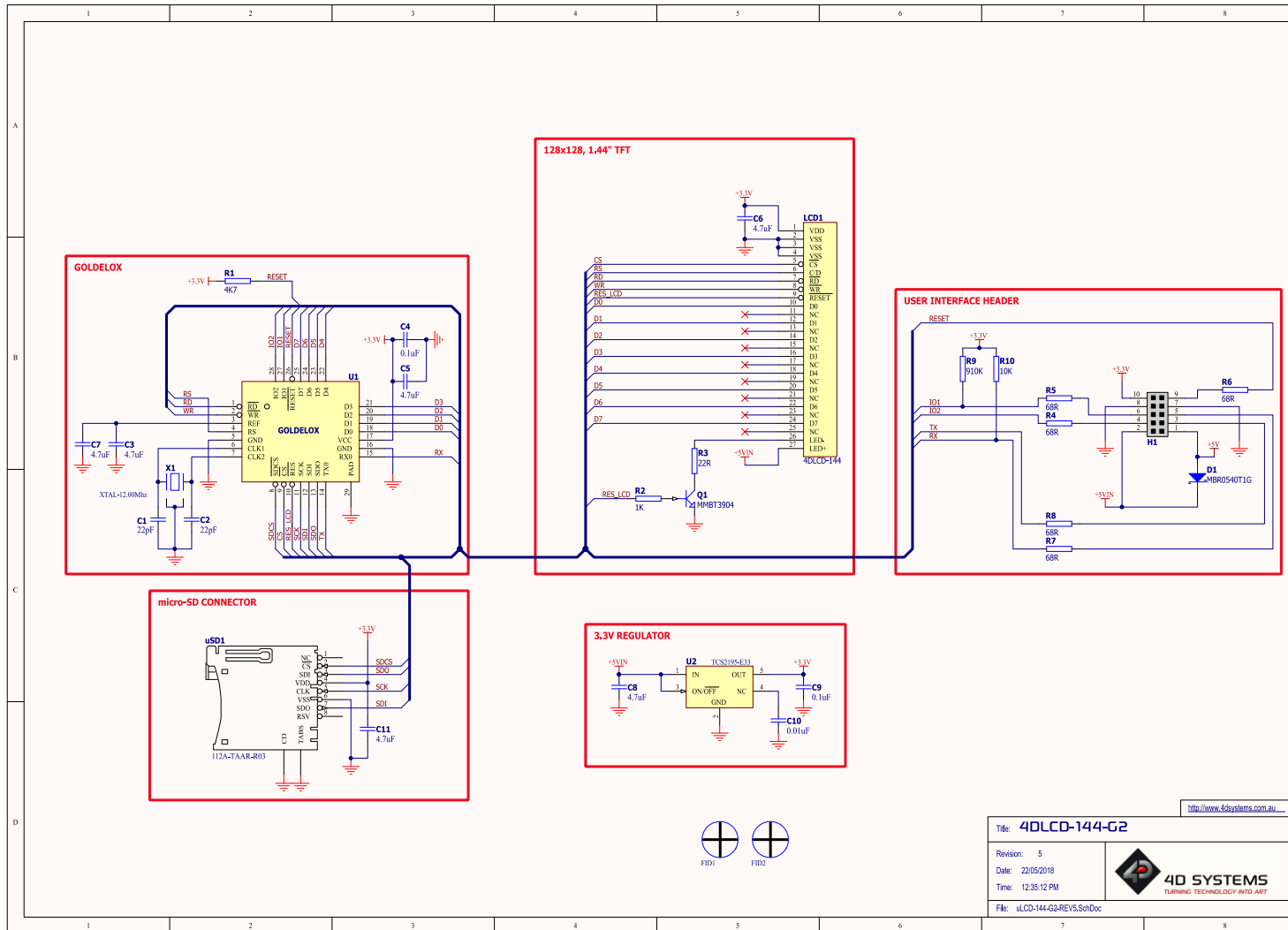
uLCD-144G2

|      |                           |
|------|---------------------------|
| uLCD | - microLCD Display Family |
| 144  | - Display size (1.44")    |
| G    | - Goldelox Processor      |
| 2    | - Generation 2            |

12. Mechanical Details



13. Schematic Diagram – REV 5.0



http://www.4dsystems.com.au

Title: 4DLCD-144-G2

Revision: 5

Date: 22/05/2018

Time: 12:35:12 PM

File: uLCD-144-G2-REV5.SchDoc

4D SYSTEMS  
TURNING TECHNOLOGY INTO ART



## 14. Specifications

### ABSOLUTE MAXIMUM RATINGS

|  |                |
|--|----------------|
| Operating ambient temperature .....                        | -20°C to +70°C |
| Storage temperature .....                                  | -30°C to +80°C |
| Voltage on any digital input pin with respect to GND ..... | -0.3V to 6.0V  |
| Voltage on SWITCH pin with respect to GND .....            | -0.3V to 6.0V  |
| Voltage on VCC with respect to GND .....                   | -0.3V to 6.0V  |
| Maximum current out of GND pin .....                       | 300mA          |
| Maximum current into VCC pin .....                         | 250mA          |
| Maximum output current sunk/sourced by any pin .....       | 4mA            |
| Total power dissipation .....                              | 1.0W           |

**NOTE:** Stresses above those listed here may cause permanent damage to the device. This is a stress rating only and functional operation of the device at those or any other conditions above those indicated in the recommended operation listings of this specification is not implied. Exposure to maximum rating conditions for extended periods may affect device reliability.

### RECOMMENDED OPERATING CONDITIONS

| Parameter                | Conditions  | Min | Typ  | Max | Units |
|--------------------------|---|-----|------|-----|-------|
| Supply Voltage (VCC)     |   | 4.0 | 5.0  | 5.5 | V     |
| Operating Temperature    |   | -10 | --   | +60 | °C    |
| Input Low Voltage (VIL)  | RX Pin  | GND | --   | 0.8 | V     |
| Input High Voltage (VIH) | RX Pin  | 2.0 | 3.3  | 5.0 | V     |
| Reset Pulse              | External Open Collector   | 2.0 | --   | --  | µs    |
| Operational Delay        | Power-Up or External Reset until the module has been able to communicate or until the application has started | --  | 3000 | --  | ms    |

### GLOBAL CHARACTERISTICS BASED ON OPERATING CONDITIONS

| Parameter                 | Conditions  | Min | Typ  | Max | Units |
|---------------------------|---|-----|------|-----|-------|
| Supply Current (ICC)      | VCC = 5.0V, very dependent on operating conditions, uSD usage, screen display colour (ie White) | 25  | 40   | 70  | mA    |
| Low Power Current (ICC)   | VCC = 5.0V, Contrast = 0  | 300 | 500  | --  | µA    |
| Output Low Voltage (VOL)  | TX, IO1, IO2, IOL = 3.4mA   | --  | --   | 0.4 | V     |
| Output High Voltage (VOH) | TX, IO1, IO2, IOL = -2.0mA  | 2.4 | --   | 3.3 | V     |
| A/D Converter Resolution  | IO1 Pin   | --  | 8    | 10  | bits  |
| Capacitive Loading        | All pins  | --  | --   | 50  | pF    |
| Flash Memory Endurance    | PmmC/4DGL Programming   | --  | 1000 | --  | E/W   |

## OPTICAL CHARACTERISTICS

| Parameter                         |                            | Conditions          | Min | Typ | Max | Units             |
|-----------------------------------|----------------------------|---------------------|-----|-----|-----|-------------------|
| Contrast Ratio (Centre point)     |                            | Back-light On       | 300 | 450 | --  | --                |
| Luminance of white (Centre point) |                            |                     | 160 | 200 | 230 | cd/m <sup>2</sup> |
| White Uniformity                  |                            |                     | 80  | --  | --  | %                 |
| Response Time                     | Rising + Falling (Tr + Tf) |                     | --  | --  | 240 | ms                |
| Viewing Angle                     | Vertical above Centre      | Contrast Ratio ≥ 10 | 30  |     |     | Degrees           |
|                                   | Vertical below Centre      |                     | 30  |     |     |                   |
|                                   | Horizontal Left of Centre  |                     | 30  |     |     |                   |
|                                   | Horizontal Right of Centre |                     | 30  |     |     |                   |

## ORDERING INFORMATION

**Order Code:** uLCD-144G2

**Package:** 65mm x 50mm x 30mm

**Packaging:** Module sealed in antistatic foam padded 4D Systems Box

## 15. Hardware Revision History

| Revision Number | Date       | Description  |
|-----------------|------------|--|
| 4.1             | 24/18/2012 | Initial Public Release Version   |
| 5.0             | 22/05/2018 | <ul style="list-style-type: none"><li>• Changing the 3.3V Regulator</li><li>• Component changed from 0603 to 0402</li><li>• Crystal has been changed</li></ul> |
|                 |            |  |
|                 |            |  |
|                 |            |  |

## 16. Document Revision History

| Revision Number | Date       | Description                        |
|-----------------|------------|------------------------------------|
| 1.4             | 04/05/2017 | Initial Public Release Version     |
| 1.5             | 06/03/2019 | Cosmetic changes to uLCD Datasheet |
|                 |            |                                    |
|                 |            |                                    |
|                 |            |                                    |

## 17. Legal Notice

### Proprietary Information

The information contained in this document is the property of 4D Systems Pty. Ltd. and may be the subject of patents pending or granted, and must not be copied or disclosed without prior written permission.

4D Systems endeavours to ensure that the information in this document is correct and fairly stated but does not accept liability for any error or omission. The development of 4D Systems products and services is continuous and published information may not be up to date. It is important to check the current position with 4D Systems. 4D Systems reserves the right to modify, update or makes changes to Specifications or written material without prior notice at any time.

All trademarks belong to their respective owners and are recognised and acknowledged.

### Disclaimer of Warranties & Limitation of Liability

4D Systems makes no warranty, either expressed or implied with respect to any product, and specifically disclaims all other warranties, including, without limitation, warranties for merchantability, non-infringement and fitness for any particular purpose.

Information contained in this publication regarding device applications and the like is provided only for your convenience and may be superseded by updates. It is your responsibility to ensure that your application meets with your specifications.

Images and graphics used throughout this document are for illustrative purposes only. All images and graphics used are possible to be displayed on the 4D Systems range of products, however the quality may vary.

In no event shall 4D Systems be liable to the buyer or to any third party for any indirect, incidental, special, consequential, punitive or exemplary damages (including without limitation lost profits, lost savings, or loss of business opportunity) arising out of or relating to any product or service provided or to be provided by 4D Systems, or the use or inability to use the same, even if 4D Systems has been advised of the possibility of such damages.

4D Systems products are not fault tolerant nor designed, manufactured or intended for use or resale as on line control equipment in hazardous environments requiring fail – safe performance, such as in the operation of nuclear facilities, aircraft navigation or communication systems, air traffic control, direct life support machines or weapons systems in which the failure of the product could lead directly to death, personal injury or severe physical or environmental damage ('High Risk Activities'). 4D Systems and its suppliers specifically disclaim any expressed or implied warranty of fitness for High Risk Activities.

Use of 4D Systems' products and devices in 'High Risk Activities' and in any other application is entirely at the buyer's risk, and the buyer agrees to defend, indemnify and hold harmless 4D Systems from any and all damages, claims, suits, or expenses resulting from such use. No licenses are conveyed, implicitly or otherwise, under any 4D Systems intellectual property rights.

## 18. Contact Information

For Technical Support: [www.4dsystems.com.au/support](http://www.4dsystems.com.au/support)

For Sales Support: [sales@4dsystems.com.au](mailto:sales@4dsystems.com.au)

Website: [www.4dsystems.com.au](http://www.4dsystems.com.au)

Copyright 4D Systems Pty. Ltd. 2000-2019.

# Mouser Electronics

Authorized Distributor

Click to View Pricing, Inventory, Delivery & Lifecycle Information:

## 4D Systems:

[SK-144-G2](#) [uLCD-144-G2](#) [SK-144G2](#) [SK-144G2-AR](#) [uLCD-144G2-AR](#)