

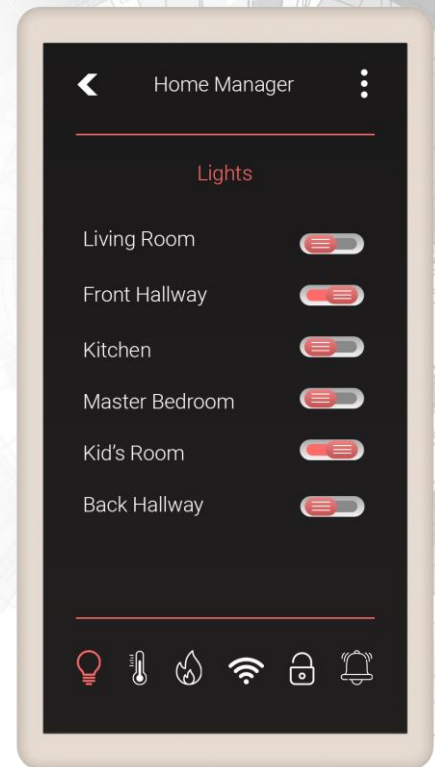


4D SYSTEMS
MAKING HUMAN INTELLIGENCE SMARTER

Wall Mountable Display Solution

DATASHEET

DOCUMENT DATE: 27th January 2021
DOCUMENT REVISION: 1.4



4Discovery-50 – 5.0" Wall Mountable Display Solution

Uncontrolled Copy when printed or downloaded.
Please refer to the 4D Systems website for the
latest Revision of this document

Table of Contents

1. Description	4
2. Features.....	4
3. Configurations – Daughter Boards	5
3.1. Daughter Board DB01	5
3.2. Daughter Board DB02	5
3.3. Future.....	5
4. RJ45 Pin Configuration and Summary.....	6
4.1. DB01 Pin Configuration	6
4.2. DB02 Pin Configuration	7
5. Hardware Interface	9
5.1. Serial Port(s).....	9
5.2. Power Pins – DB01 & DB02	9
5.3. GPIO Pins and Connections	9
6. PmmC/Firmware Programming	10
6.1. 4D 485 Programmer – DB01	11
6.2. 4D-UPA Programmer – DB02	12
7. Module Features	12
7.1. DIABLO16 Processor	12
7.2. SD/SDHC Memory Cards	12
7.3. FAT16	13
7.4. Piezo Buzzer	13
7.5. WiFi and Bluetooth (Optional)	13
7.6. Proximity Sensor	14
7.7. SPI Flash Memory (Optional)	14
8. Universal Mounting Options.....	16
8.1. Mounting Example	16
8.2. Removable Front Cover and Module	18
9. Module Customisation Options	18
10. Display Precautions	19
11. 4DGL - Software Language	19
12. 4D Systems - Workshop 4 IDE	20
12.1. Workshop 4 – Designer	20
12.2. Workshop 4 – ViSi	20

12.3. Workshop 4 – ViSi Genie21

12.4. ViSi-Genie Limitations21

12.5. Workshop 4 – Serial22

13. Connecting to External Hardware (DB01 – RS485)23

13.1. Master and Slaves (DB01 – RS485)23

13.2. 4Discovery as a Host (DB01 – RS485)24

13.3. 4Discovery as a Slave – (DB01 – RS485).....25

13.4. 4Discovery Multiple Masters – (DB01 – RS485).....26

13.5. Programming 4Discovery – (DB01 – RS485)27

13.6. Termination Resistors – (DB01 – RS485).....28

14. Connecting to External Hardware (DB02 – RS232 and UART)30

14.1. RS232 Communications30

14.2. Serial UART Communications.....30

14.3. Programming 4Discovery – (DB02 – UART)31

15. WiFi Antenna Selection32

16. Display Module Part Numbers33

17. Notes34

18. Scribble Box34

19. Mechanical Details35

20. Schematic Diagram – Main PCB – REV 2.236

21. Schematic Diagram – Daughter Board DB01 – REV 1.137

22. Schematic Diagram – Daughter Board DB02 – REV 1.138

23. Appendix 1 – (DB01 – RS485)39

24. Specifications and Ratings40

25. Hardware Revision History42

26. Datasheet Revision History.....42

27. Legal Notice43

28. Contact Information43

1. Description

The 4Discovery-5.0 is a high resolution 480x854 pixel 4.95" (referred to as 5.0") Intelligent wall mounted display product from 4D Systems, featuring the DIABLO16 Processor.

The 4Discovery's 5" TFT display is IPS, giving it very wide viewing angles.

The 4Discovery is designed to be mounted directly onto a panel or wall, or any flat drillable surface. This universal mounting enables quick and easy installation almost anywhere in any orientation, enabling a wide range of customers to take advantage of this display product.

Driving the display and peripherals is the DIABLO16 processor, a very capable and powerful graphics processor from 4D Labs, which enables stand-alone functionality, and is programmed using the 4D Systems Workshop 4 IDE Software. The Workshop IDE enables graphic solutions to be constructed rapidly and with ease due to its design being solely for 4D's graphics processors.

The 4Discovery has an array of features including a 5.0" 480x854 pixel TFT LCD Display, Capacitive Touch, micro-SD memory storage, optional Flash memory storage, 2 wire RS485 Interface which can act as Master or Slave with additional changeover wire, Proximity sensor to wake (or otherwise) the unit as someone approaches, and a switch-mode power supply enabling a wide input voltage range, optional WiFi/Bluetooth, along with many more features.

Anything that has been designed to run on a PICASO or DIABLO16 module can theoretically run on this 4Discovery with minor changes. Please ensure you contact the 4D Systems' support team if unsure changing over from a 4D Systems' module to this 4Discovery.

The 4Discovery-5.0 can be customised for customers who require alterations to the pinout or to add some extra features. The 4Discovery features a daughter board that is attached at the factory which can be modified to suit specific requirements, simply by changing the design of the daughter board. More details can be found in later sections on this topic.

For other customisations such as plastics colour, or for more detailed enquiries specific to your application, please contact the 4D Systems sales team.

2. Features

- Powerful 5.0" Intelligent TFT IPS display module powered by DIABLO16.
- 480x854 FWVGA Resolution (Full Wide Video Graphics Array), RGB 65K true to life colours, TFT Screen with integrated Capacitive Touch Panel.
- Wide viewing angles from all directions.
- Programmed over RS485 using a special programmer designed specifically for the 4Discovery.
- 6 banks of 32750 bytes of Flash memory for User Application Code and Data
- 32Kb of SRAM purely for the User.
- On-board micro-SD memory card connector for multimedia storage and data logging purposes. HC memory card support is also available for cards larger than 4GB.
- Optional Flash Memory can be ordered for internal storage of multimedia, data files, fonts, or for holding extra code functions (to expand the code storage of the processor), This secondary storage could be utilised where microSD card storage is undesirable – however space is limited.
- On board proximity sensor found behind the top edge of the display glass, can be used for activation of the display, wake from sleep, or other functions as programmed by the User.
- Optional On board WiFi and Bluetooth using the Espressif ESP32-PICO-D4 SoC, with both an integrated ceramic antenna and a u.FL connector for an external antenna.
- DOS compatible file access (FAT16 format) as well as low level access to microSD card memory.
- Display full colour images, animations, icons and video clips on chosen 4D Systems display.
- Supports all available Windows fonts.
- 5.0V or 7.0V-to-30V input voltage range operation (single supply).
- Module dimensions: 76.2 x 139.4 x 24.8mm
- Weight approximately 130g.
- Display Viewing Area: 62.56 x 110.53mm
- Easily mounted to the wall, enclosure, panel or virtually any flat drillable surface.
- RoHS and CE Compliant.
- PCB is UL 94V-0 Flammability Rated

3. Configurations – Daughter Boards

There is a daughter board inside the 4Discovery 5" module which is permanently attached at the factory.

There are multiple configurations that the 4Discovery 5" can be ordered in. The default configuration utilizes a daughter board called DB01. Unless otherwise stated, 4Discovery 5" is assumed to have DB01 installed.

DB01 is the standard daughter board, and DB02 is a alternative providing different communication options. It is possible to also have a custom Daughter board designed to suit various customer requirements. The daughter board holds the 2x RJ45 Jacks which present at the back of the 4Discovery 5" module and is a separate PCB to the main 4Discovery PCB, connected with soldered header pins.

The Daughter Board is not user removable and is installed during manufacturing of the 4Discovery module.

Please ensure to contact our Sales team to discuss your requirements, as customisations are possible.

3.1. Daughter Board DB01

DB01 refers to 'Daughter Board 01' – Which is the default configuration which the 4Discovery 5" is sold in. Unless otherwise stated, 4Discovery 5" is assumed to have DB01 installed.

DB01 is a secondary PCB which is soldered onto the main PCB at the 4D Systems factory, and provides a looped dual port RS485 communications bus, which communicates to the electronics on the 4Discovery main PCB.

This default configuration enables RS485 communications using a 2-wire bus, and the dual RJ45 ports mean you can daisy chain multiple modules or other RS485 devices together on the bus, without the need for RS485 hubs or splitters.

In this configuration, to program the 4Discovery you will need the RS485 Programmer, which is discussed in a later section of this document.

3.2. Daughter Board DB02

DB02 refers to 'Daughter Board 02' – Which is a secondary configuration for the 4Discovery 5" and is available on request by discussing with our Sales team.

Like DB01, the DB02 is a daughter board which is mounted at our factory and provides various communication options to the Diablo16 processor. It also features dual RJ45 ports, however the pinout is different for each port.

DB02 features an RS232 communications port, a UART communications port, and 3 GPIO (including an I2C port). This option is useful when using the 4Discovery in local control applications, such as on a machine or to a local controller, where RS485 is not required. These communication signals are available across the 2 RJ45 ports, please refer to the pinout in [Section 4](#) for more information.

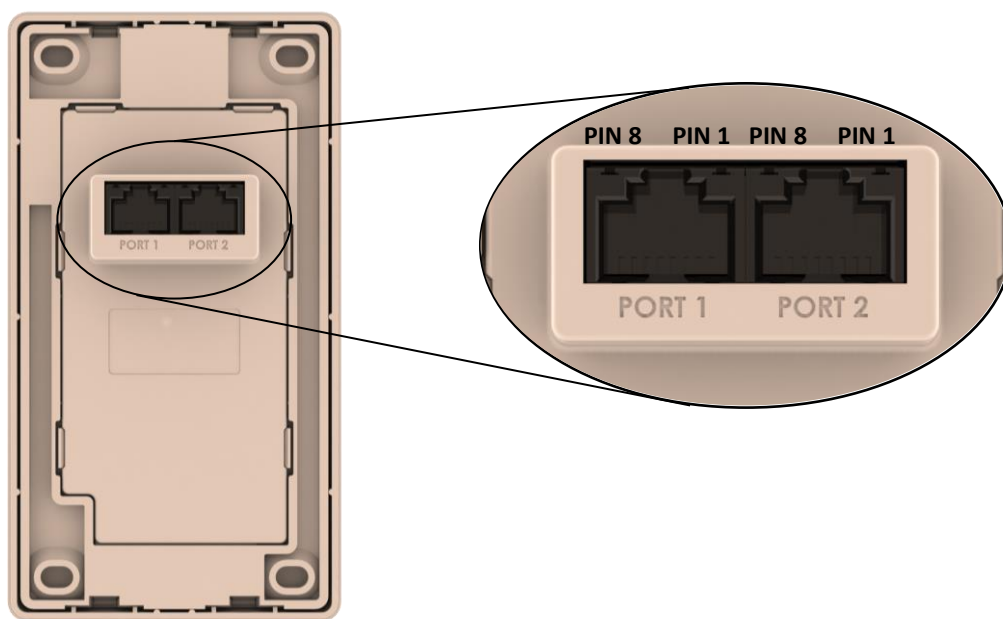
In this configuration, to program the 4Discovery you will program it over the serial UART, which is found on the RJ45 PORT 1, details can be found in later sections of this document.

3.3. Future

At the time of writing this document, 2 daughter board options were available, however more may be listed in the future.

If an application warrants a completely custom daughter board to be designed and produced, this is possible, please refer to [Section 9](#) for some more information, and be sure to contact our Sales team.

4. RJ45 Pin Configuration and Summary



4.1. DB01 Pin Configuration

Standard Model (using DB01) – Dual Looped RJ45 Pinout (Both PORT1 and PORT2)			
Pin	Symbol	I/O	Description
1	VIN	P	7.0V to 30VDC Input. Recommended range is 12V to 24V. This is the primary power source of the 4Discovery.
2	A	I/O	485 A Signal (non-Inverting) pulled to 3.3V internally, terminated to B with 120ohm.
3	B	I/O	485 B Signal (Inverting), pulled to GND internally, terminated to A with 120ohm.
4	GND	P	System Ground, relevant to VIN and 5V_IN
5	GND	P	System Ground, relevant to VIN and 5V_IN
6	5V_IN	P	5.0VDC Input. This is typically only used to power the 4Discovery from the 4D 485 Programmer, however, can be used to power the 4Discovery if a higher voltage power source into VIN is not available. Should be in the range of 4.5V to 5.5V, nominal 5.0V. Please see relevant section on System Pins. Take note of voltage drop across long cables, and the current requirements of the module, especially when powering off 5V.
7	TURN	I	Primarily used by the 4D 485 Programmer in conjunction to programming the 4Discovery, however can also be from an external device which is acting as Host when 4Discovery is programmed to be a slave. This is an input only to the 4Discovery (PA14). When 4Discovery is a Master, the slaves must determine the direction of transmit/receive themselves using an Auto Turnaround 485 IC or circuit.
8	RESET	I	Reset signal used by the 4D 485 Programmer. Can be used by an external device if the 4Discovery needs to be reset. Active Low.

I = Input, O = Output, P = Power

Note: PORT1 and PORT2 on the Standard Daughter board (DB01), are identical. They are looped together to enable daisy chaining the RS485 bus and contain the same signals as each other. Both PORT1 and PORT2 can be used with the RS485 Programmer.

4.2. DB02 Pin Configuration

Secondary Model (using DB02) – PORT 1			
Pin	Symbol	I/O	Description
1	VIN	P	7.0V to 30VDC Input. Recommended range is 12V to 24V. This is the primary power source of the 4Discovery.
2	RX0	I/O	Connected to the Diablo16 RX0 port, UART Receive, used for Programming Diablo16, but also for communications to external devices. This pin is 5V tolerant but operated at 3.3V logic levels.
3	TX0	I/O	Connected to the Diablo16 TX0 port, UART Transmit, used for Programming Diablo16, but also for communications to external devices. This pin outputs at 3.3V levels but is compatible with 5V logic systems.
4	GND	P	System Ground, relevant to VIN and 5V_IN
5	GND	P	System Ground, relevant to VIN and 5V_IN
6	5V_IN	P	5.0VDC Input. This is typically only used to power the 4Discovery during programming, however it can be used to power the 4Discovery if a higher voltage power source into VIN is not available. Should be in the range of 4.5V to 5.5V, nominal 5.0V. Please see relevant section on System Pins. Take note of voltage drop across long cables, and the current requirements of the module, especially when powering off 5V.
7	RESET	I	Reset signal used for programming the 4Discovery over the UART. Can be used by an external device if the 4Discovery needs to be reset. Active Low.
8	GPIO	I	This GPIO is connected to Diablo16 pin PA4 . Please refer to the Diablo16 Processor datasheet for specific information on the capabilities of this GPIO.

Secondary Model (using DB02) – PORT 2			
Pin	Symbol	I/O	Description
1	VIN	P	7.0V to 30VDC Input. Recommended range is 12V to 24V. This is the primary power source of the 4Discovery.
2	RS232-TX	I/O	This is connected to the Transmit output of the RS232 transceiver, and is controlled by Diablo16 pin PA1
3	RS232-RX	I/O	This is connected to the Receive input of the RS232 transceiver, and sends its data to the Diablo16 pin PA3
4	GND	P	System Ground, relevant to VIN and 5V_IN
5	GND	P	System Ground, relevant to VIN and 5V_IN
6	5V_IN	P	5.0VDC Input. This is typically only used to power the 4Discovery during programming, however it can be used to power the 4Discovery if a higher voltage power source into VIN is not available. Should be in the range of 4.5V to 5.5V, nominal 5.0V. Please see relevant section on System Pins. Take note of voltage drop across long cables, and the current requirements of the module, especially when powering off 5V.
7	I2C SDA (or GPIO)	I	This pin is connected to Diablo16 pin PA13 , and features in internal pullup resistor of 4.7Kohm. This pin can be used as an I2C SDA pin, a GPIO, or it could also function as another hardware serial UART. Please refer to the Diablo16 Processor datasheet for specific information on the capabilities of this GPIO.
8	I2C SCL (or GPIO)	I	This pin is connected to Diablo16 pin PA12 , and features in internal pullup resistor of 4.7Kohm. This pin can be used as an I2C SCL pin, a GPIO, or it could also function as another hardware serial UART. Please refer to the Diablo16 Processor datasheet for specific information on the capabilities of this GPIO.

I = Input, O = Output, P = Power

Note: PORT1 and PORT2 on the DB02 daughter board, are different. Please refer to the table above and connect to the appropriate port which is marked on the back of the 4Discovery module plastics.

Note: PORT1 RX0/TX0/RESET pins are required when programming the Diablo16 Processor, which are the UART pins. Programming is not possible over the RS232 network.

5. Hardware Interface

The 4Discovery provides both a hardware and software interface. This section describes in detail the hardware interface pins of the device.

5.1. Serial Port(s)

The 4Discovery **DB01** option provides one asynchronous serial port which interfaces via the RJ45 port and communicates using the RS485 protocol.

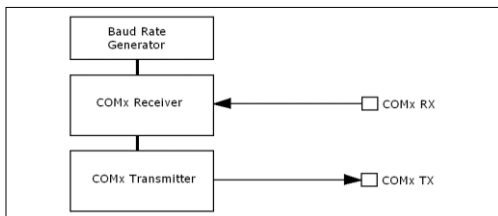
This serial port is used for both communications to various devices on the RS485 bus, but also for the programming of the 4Discovery itself, using the 4D 485 Programmer.

A RS485 IC is used inside the 4Discovery, to provide the RS485 interface, signals A and B.

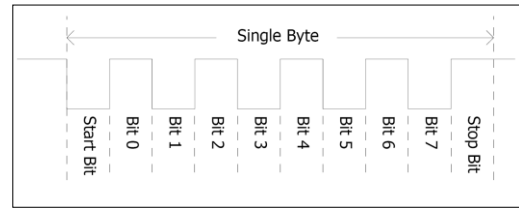
The 4Discovery **DB02** option provides one asynchronous serial UART, and one asynchronous RS232 serial port. The serial UART is used for programming the 4Discovery, however can also be used for general communications. The UART and the RS232 are separate buses and can be used at the same time.

The primary features are:

- Full-Duplex 8-bit data transmission and reception.
- Data format: 8 bits, No Parity, 1 Stop bit.
- Baud rates from 300 baud up to 250K baud.
- Single byte transmits and receives or a fully buffered service. The buffered service feature runs in the background capturing and buffering serial data without the user application having to constantly poll any of the serial ports. This frees up the application to service other tasks.



A single byte serial transmission consists of the start bit, 8-bits of data followed by the stop bit. The start bit is always 0, while a stop bit is always 1. The LSB (Least Significant Bit, Bit 0) is sent out first following the start bit. Image below shows a single byte transmission timing diagram.



5.2. Power Pins – DB01 & DB02

VIN (Primary Voltage Input)

Pin 1:

4Discovery supply voltage input pin. This pin must be supplied between 7.0VDC and 30VDC, and these must not be exceeded. Typical voltages are between 12V and 24VDC. Note if long cables are used, the minimum 7V needs to be presented at the module, so voltage drops need to be considered. If this pin is not used, a 5VDC source can be applied to pin 6 (5V_IN) instead.

GND (Module Ground)

Pins 4, 5:

Device ground pins. At least one of these pins must be connected to ground.

5V_IN (Secondary Voltage Input)

Pin 6:

4Discovery supply voltage input pin. This pin is typically used by the 4D 485 Programmer when programming from USB of a PC, however it can also be used in the case a suitable voltage cannot be applied to VIN. Supply to this pin must be between 4.5V to 5.5V DC. Nominal operating voltage is 5.0 Volts.

Note: When powering solely off 5V, the current requirements need to be taken into consideration. When all features are running on the 4Discovery, the current requirement of the 5V rail must be enough else the display may reset continuously in a loop. Please see the specification section for current requirements. Voltage drops across the cable need to also be considered, and the Pin 1 (VIN) option is recommended if cable lengths are more than a few meters.

5.3. GPIO Pins and Connections

Internal to the 4Discovery there are components such as the WiFi and Proximity Sensor, which are internally connected to GPIO on the Diablo16 processor itself. This section details the connections which can be controlled by the User, to aid in the programming of the 4Discovery Module.

This information can also be found from the schematic diagram, towards the end of this document.

The following four GPIO are used by the optional SPI Flash memory, which by default is not loaded onto 4Discovery modules (Please speak to Sales for more information if unsure).

If your module is loaded with Flash memory, then the following pins are therefore exclusively used by the Flash memory:

PA0 – SPI CS – Chip Select to Flash Memory

PA1 – SPI CLK – Clock to Flash Memory

PA2 – SPI SDI – Data In from Flash Memory

PA3 – SPI SDO – Data Out to Flash Memory

These four GPIO are also available to custom Daughter Boards (please refer to Section 9). Flash Memory is not supported if the custom Daughter Board also requires their use.

For models without Flash memory loaded (Default), the following applies:

PA1 – RS232-TX on **DB02** Option

PA3 – RS232-RX on **DB02** Option

The following apply to all configurations:

PA4 – Available as GPIO on **DB02** Option

PA5 – WiFi Main RX – Primary UART for ESP32

PA6 – WiFi Main TX – Primary UART for ESP32

PA7 – Prox INT (I2C) – Proximity Sensor I2C

PA8 – Prox SDA (I2C) – Proximity Sensor I2C

PA9 – Prox SCL (I2C) – Proximity Sensor I2C

PA10 – Unused

PA11 – SD Card Detect – Inserted/Ejected

PA12 – Available as GPIO or I2C on **DB02** Option

PA13 – Available as GPIO or I2C on **DB02** Option

PA14 – 485 Turn Pin – Send/Receive Turnaround

PA15 – WiFi/ESP32 Enable/Disable

PA0 – Not utilised on **DB01** or **DB02** – Available for future use or on a Custom Daughter Board

PA2 – Not utilised on **DB01** or **DB02** – Available for future use or on a Custom Daughter Board

6. PmmC/Firmware Programming

The 4Discovery features a 4D Systems DIABLO16 processor, which is a custom graphics processor. All functionality including the high-level commands are built into the chip. This chip level configuration is available as a PmmC (Personality-module-micro-Code) file, which can be likened to traditional Firmware. There is also a Display Driver file, which separates specific display settings from the PmmC.

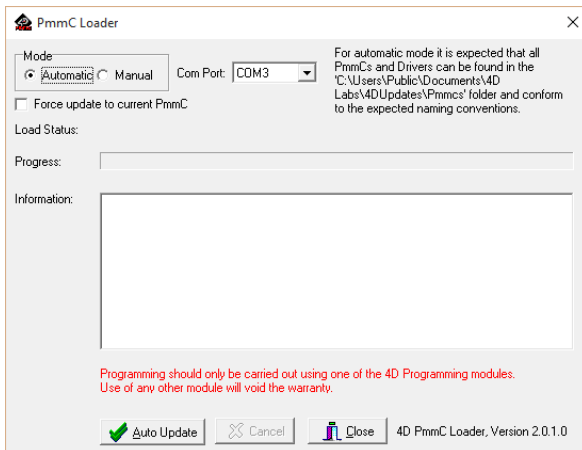
A PmmC file contains all the low-level micro-code information (analogy of that of a soft silicon) which define the characteristics and functionality of the device. The ability of programming the device with a PmmC file provides an extremely flexible method of customising as well as upgrading it with future enhancements.

The Display Driver contains the initialisation and parameters associated with the display that is to be connected to the DIABLO16 processor, along with any module specific customisations that may be required.

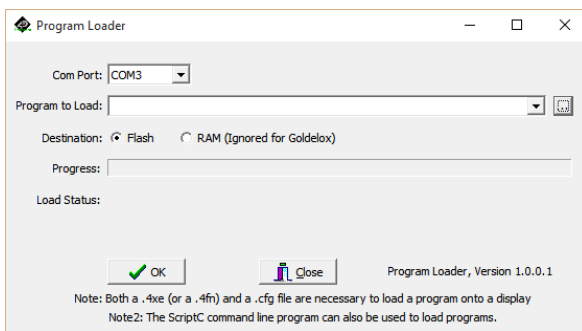
Solutions, which remove the need to use Workshop4 to program the display, are available for commercial customers requiring batch programming or production line programming. These solutions are practical for production staff to minimize the chance of unwanted or unauthorised modifications on the production line.

Three solutions come with the Workshop4 IDE, which can be separated out for production line computers if required, **PmmC Loader**, **Program Loader** and **ScriptC**.

PmmC Loader is a GUI interface designed to download PmmC's and Drivers to 4D Systems Processor. It has the ability to automatically update existing PmmC's and Drivers present on a module, or to manually change or force download to a blank processor or module, overwriting anything written in previously.



Program Loader is a GUI interface designed to download Applications to either Flash or RAM, useful for testing or production loading, without the need for Workshop4 itself.



ScriptC is a command line interface which can be controlled from a Batch Script or similar, useful for repetitive loading or when controlled from an external application. Example scripts are provided, showing how to load PmmC, Display Drivers and Applications using a batch script.

Please contact our Support Team for more information on what we can provide. Some solutions also exist for external processor based loading, if there is a requirement for that. This solution is available under NDA.

Using a non-4D programming interface could damage your module, and **void your Warranty.**

6.1. 4D 485 Programmer – DB01

The 4D 485 Programmer is an essential hardware tools to program, customise and test the 4Discovery module, when found in its standard configuration and utilising **DB01** daughter board. This section can be ignored if **DB01** is not used in your application.

The 4D 485 Programmer is used to program a new Firmware/PmmC, Display Driver and for transferring compiled Workshop4 Applications. It can even serve as an interface for communicating serial data to the PC. The 4D Programmer also supplies power to the 4Discovery so it can be programmed on the bench or in the field, as it must be disconnected from the RS485 network in order to be programmed with the 4D 485 Programmer and therefore needs a power source.

It is possible to change the application the 4Discovery is running, using just a microSD card. This is possible after loading the 'Update Banks and Run' application on to the Diablo16 processor, enabling it to check and update the microSD card on start-up for updates, and update the Diablo16 flash memory with the new application.

To connect the 4D 485 Programmer to the 4Discovery, requires a standard CAT5 Ethernet cable, straight through (NOT cross over). You can use CAT4, CAT5, CAT5e, CAT6 etc type cables, but all that is required is 8 wires/conductors and these are straight through, not crossed, to allow correct connection between the two RJ45 plugs/connectors on the 4Discovery and the 4D 485 Programmer. The speed rating of Ethernet cables is not relevant for the purpose of the 4Discovery since it uses RS485 which operates at a much slower speed to Ethernet.

Either PORT1 or PORT2 can be used for programming the 4Discovery, since they are looped ports (Standard Daughter Board **DB01**).

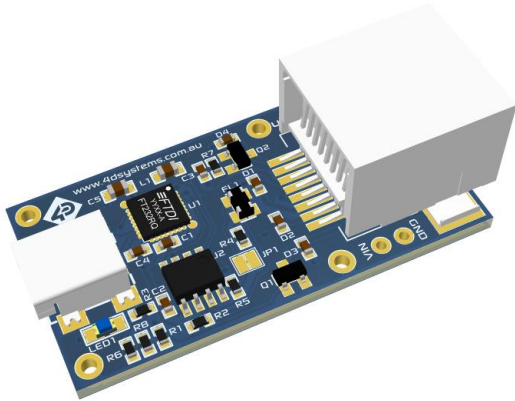
The maximum length of cable between the 4Discovery and the 4D 485 Programmer, should be kept below 10m. This is due to TTL signals on the RJ45 connector which need to be controlled by the 485 Programmer. Anything longer may be feasible depending on the type of cable used, however typically longer cables will cause voltage drops and capacitive loading which could cause programming to fail.

The PmmC file and Display Driver file can only be programmed into the device using the RJ45 connector when using the Standard 4Discovery configuration (**DB01**), using the 4D 485 Programmer

with the aid of Workshop 4, the 4D Systems IDE software.

No other RS485 device will be able to program the PmmC and Display Driver of the 4Discovery when set up in the Standard 4Discovery Configuration (**DB01**), the 4D 485 Programmer must be used.

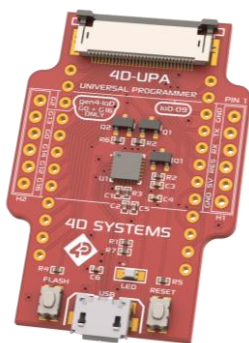
NOTE: The 4Discovery cannot be programmed when connected to the RS485 network. It needs to be 1:1 with the 4D 485 Programmer.



RS485 Programmer

6.2. 4D-UPA Programmer – DB02

When using a **DB02** or a custom Daughter Board (Please speak to our Sales team for more information), a 4D-UPA Programmer likely will be required, to program over the Serial UART instead of over the RS485 network, which is only present on **DB01**.



4D-UPA Programmer

Alternatively, a 4D Programming Cable could also be used.

Please speak to our Sales team for more information.

Additional information can be found in [Section 14.3](#)

7. Module Features

Some of the main features of the 4Discovery are listed below.

7.1. DIABLO16 Processor

The 4Discovery is designed around the DIABLO16 Graphics Controller from 4D-Labs.



The DIABLO16 is a smart Controller and the interface to the TFT- LCD displays is almost plug-n-play.

All of the data and control signals are provided by the chip to interface directly to the display.

Powerful graphics, text, image, animation and countless more features are built right inside the chip.

The data sheet for the processor is available from the <http://www.4dsystems.com.au> website:

"DIABLO16-Processor-Datasheet-REVx.pdf"

7.2. SD/SDHC Memory Cards

The 4Discovery supports micro-SD memory cards via the on-board micro-SD connector. The memory card is used for multimedia file retrieval such as images, animations and movie clips. The memory card can also be used as general-purpose storage for data logging applications. Support is available for off the shelf micro-SD (up to 2GB) and high capacity SDHC memory cards (4GB and above).



Note: A microSD card capable of SPI is a requirement for all 4D Systems' display modules powered by Goldelox, Picaso, Pixxi-28, Pixxi-44 or Diablo16 Processors. If a non-SPI compatible card is used, it will simply fail to mount, or may cause intermittent issues resulting in lock ups and crashing of the application. Please refer to the 4D Systems website for microSD cards offered by 4D Systems.

The micro-SD card can be used as an update medium for the 4Discovery, in conjunction with suitable application code being written. The microSD card can be mounted and used to update the application(s) stored on the onboard Flash of Diablo16. This is useful to roll out updates without having to reprogram the 4Discovery. This however is not able to update the PmmC/Firmware or Display Driver. These must still be updated via the RS485 Programmer on Standard 4Discovery Configurations (**DB01**), via the Serial UART on the Secondary Configuration (**DB02**) or over the network with suitable Host code.

The 4Discovery features a Card Detect on the microSD socket, which can be utilised by the User in their application, to determine if a microSD card is inserted or not. This could be used to switch in and out graphics which may rely on uSD card, or a simplified backup graphic which may be stored on Flash, for example.

GPIO **PA11** – SD Card Detect

PA11 is Active High when a card is detected, and Low when no card is detected.

Note: Read disturb is a well-known issue with flash memory devices, such as microSD cards, where reading data from a flash cell can cause the nearby cells in the same memory block to change over time. This issue can be prevented by using industrial-grade microSD cards with read disturb protection. Industrial-grade microSD cards have a firmware that actively monitors the read operation and refreshes areas of memory which have high traffic and even move data around to prevent read disturb error from occurring. Furthermore, manufacturers may choose to implement read disturb protection on a specific part of the flash memory only, such that the beginning part of the memory might not be protected. The RMPET utility in Workshop4 is designed to create the first partition at an offset from the start of the microSD card to account for this situation. It is therefore recommended to always partition and format an industrial microSD card using the RMPET utility before using it with 4D Systems processors.

7.3. FAT16

The 4Discovery Module uses off the shelf standard SDHC/SD/micro-SD memory cards with up to 4GB capacity usable with FAT16 formatting. For any FAT file related operations, before the memory card can be used it must first be formatted with FAT16 option.

The formatting of the card can be done on any PC system with a card reader. Select the appropriate drive and choose the FAT16 (or just FAT in some systems) option when formatting. The card is now ready to be used in the DIABLO16 based application.

The DIABLO16 Processor also supports high capacity HC memory cards (4GB and above). The available capacity of SD-HC cards varies according to the way the card is partitioned and the commands used to access it.

A Max of 4GB can be utilised by the FAT16 file system. The FAT partition is always first (if it exists). Any space larger than 4GB will be RAW, and can still be utilised by your 4D Systems module, using different functions. Please refer to Application Notes.

Partitioning of microSD cards should be carried out using the RMPET tool, which is included with the Workshop4 IDE. This tool enables you to partition and format your microSD card in a range of ways. It also then allows you to format the card so it is ready for the 4Discovery.

7.4. Piezo Buzzer

The 4Discovery has an on-board Piezo buzzer, which enables feedback to the user for a range of situations, such as when the screen is touched, or if an event occurs that needs an audio alert.

The Piezo buzzer uses the AUDIO pin on the Diablo16 processor, and can be controlled using the **snd_Freq()** function. The optimal frequency to use for this buzzer is 2731Hz.

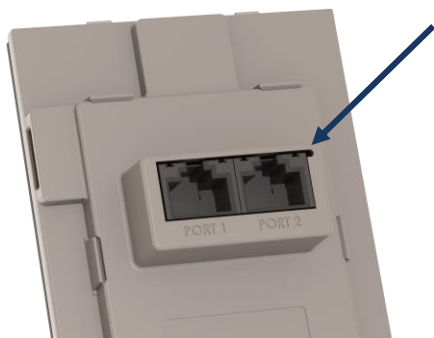
Please refer to the DIABLO16 Internal 4DGL Functions document for more information on this function, available from the 4Discovery Product Page, on the 4D Systems website. www.4dsystems.com.au

7.5. WiFi and Bluetooth (Optional)

The 4Discovery 5.0" module optionally features both WiFi and Bluetooth connectivity, utilising the Espressif ESP32-PICO-D4 SoC (System on Chip).

The 4Discovery features both an internal antenna, and facilities for an external u.FL style antenna to be connected. This allows flexibility if the 4Discovery is mounted in an enclosure or if WiFi reception is some distance away.

When using an external antenna, there is a slot cut-out to the top-right of the PORT2 RJ45 on the back of the 4Discovery. This slot enables a u.FL cable to exit next to the RJ45 port, for connection to an external cable. A suitable cable would be a u.FL to SMA cable (not included), and enables many common external antennas to be connected easily, with various mounting options and signal strengths. These types of cables are available online from many outlets and come in a range of lengths.



The 4Discovery comes preloaded with 4D written firmware in the ESP32, allowing the Diablo16 processor easy direct access to the functions of the ESP32 without having to learn longhand AT commands.

The ESP32 can be reprogrammed by the user by utilising a header found under the back cover. An external programmer is required, or the ESP32 can be updated OTA (Over The Air). Please discuss with our Support Team if you require this functionality.

Additionally, the Diablo processor and its uSD content can be programmed/updated OTA via the ESP32 WiFi, provided the application written into the Diablo contains the appropriate functionality to ready itself for OTA Updates. Please discuss with our Support Team if you require information about this functionality.

For full information on the ESP32 PICO D4, please refer to the Espressif website and documentation.

The ESP32 is connected to a UART on the Diablo16 processor. These are GPIO **PA5** and **PA6** of Diablo16.

Please refer to the schematic diagram for more detail.

7.6. Proximity Sensor

The 4Discovery is fitted with a forward-facing Proximity Sensor, which is located under the glass of the top edge of the display.

The proximity sensor used is a Vishay VCNL4200, and communicates with the Diablo16 processor over an I2C bus. Example code is available.

The proximity sensor is useful for power saving, and display saving features, and can trigger the module to wake from sleep or turn the display on if turned off. It can also be used to detect various ambient levels, so the backlight can be adjusted accordingly.

The Proximity Sensor uses the following GPIO on the Diablo16 processor

PA7 - Prox INT (I2C) – Proximity Sensor I2C

PA8 - Prox SDA (I2C) – Proximity Sensor I2C

PA9 - Prox SCL (I2C) – Proximity Sensor I2C

The proximity has many registers which can be adjusted to suit the environment the 4Discovery is mounted in, and these can be programmatically changed in the User application.

For more information on the Proximity Sensor, please refer to the Vishay website and documentation.

A sample application is available in Workshop4, outlining the code required to operate the proximity sensor.

7.7. SPI Flash Memory (Optional)

By default, the 4Discovery does not come with SPI Flash Memory loaded, however it is an option which can be ordered direct from 4D Systems. Please contact our Sales Team.

SPI Flash memory allows some multimedia (images, animations, text, etc) to be loaded without the need for a microSD card. This solution can be beneficial for Users who do not wish to have installations dependant on a microSD card, or wish to use the card for other purposes.

SPI Flash memory also allows Users to store Applications, to allow programs to be changed during run time. The flash memory can also be updated during runtime, either from the application itself (such as variable storage) or from the microSD card (such as a program update) or even via WiFi, if a suitable application is written for OTA type updates.

Compatible SPI flash memory is not available in large storage capacities, compared to microSD cards. This can be a limiting factor for larger projects/installations, and microSD cards may still be the best solution, especially when dealing with high quality images and GUIs.

The SPI Flash is connected to the following Diablo16 GPIO.

- PA0** – SPI CS – Chip Select to Flash Memory
- PA1** – SPI CLK – Clock to Flash Memory
- PA2** – SPI SDI – Data In from Flash Memory
- PA3** – SPI SDO – Data Out to Flash Memory

For information about the functions for using SPI Flash memory, please refer to the “spiFlash_” functions found in the Internal Functions Manual for the Diablo16 Processor, and also the sample applications found in the Workshop4 IDE.

Note: Flash memory can only be utilised on **DB01** based modules, or on custom daughter boards, as **PA0**, **PA1**, **PA2**, and **PA3** must not be utilised by other peripherals.

PA1 and **PA3** are utilised on **DB02** so Flash memory is not supported for **DB02**.

8. Universal Mounting Options

The 4Discovery has a range of ways it can be mounted. It is designed to be easily mounted to a wall, a panel or enclosure, or directly mounted on virtually any supportive wall or drillable flat surface. This includes plaster board, wood, metal, plastic and even concrete.

One nice feature about the 4Discovery is only a single central hole is required to be drilled into the surface to enable the CAT5 cable(s) to pass through and the RJ45 socket(s) on the back of the 4Discovery to protrude into, along with as little as 2-4 screws, depending on the mounting surface.

The central hole needs to be larger than 45mm (about 1.8in) in order to give the RJ45 sockets clearance and to not bind in the hole. Please refer to the drilling guide later in this section.

There are 4 corner mounting slots, designed for countersunk self tapping wood screws or similar. 8G Countersunk Head chipboard screws work well. These holes are slotted to allow some tolerance when mounting.

Any or all of the 4 mounting holes can be used to mount the 4Discovery. Select the most appropriate number for your target installation, and ensure the 4Discovery is securely attached to the surface in question. It is recommended to use all 4 mounting holes.

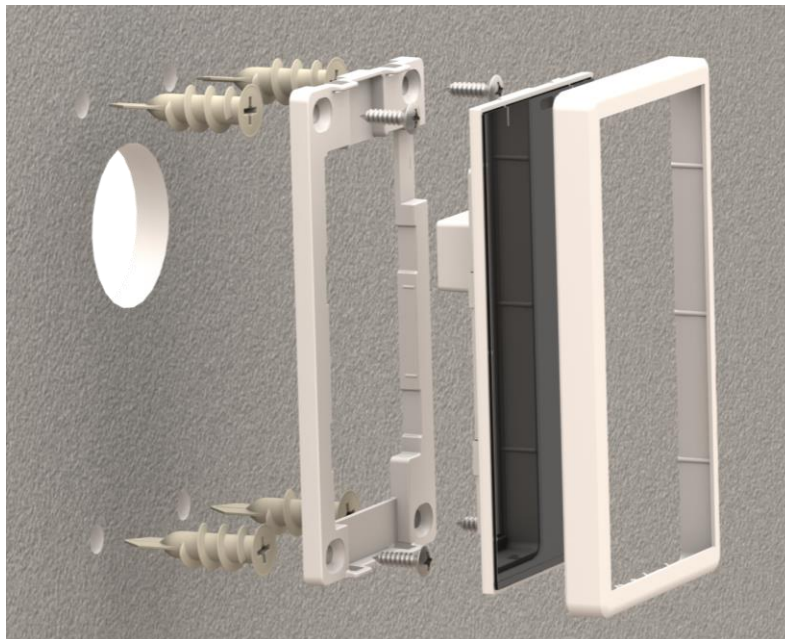
Please refer to the mechanical drawing towards the end of this document, for more information regarding the mounting holes and positions.

8.1. Mounting Example

The front cover and display module itself can be removed from the mounting plate, which enables full access to the mounting holes.

The display module can be carefully unclipped by gently raising the two upper (or lower) clips, which will release the display module from the mounting base.

Please ensure only gentle force is applied to these clips so they are not damaged.



As illustrated above, the wall is on the left, which shows the recommended drill holes for the module.

The previous illustration shows four plaster board anchors, which are a sturdy addition for mounting anything into plasterboard. These are optional and are not included with the 4Discovery, and many suitable types are available from various hardware stores or online.

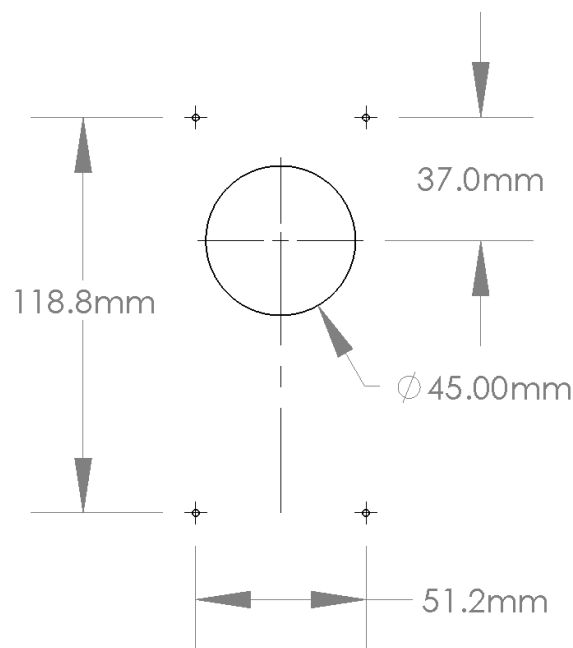
Next in the parts stack (shown in the previous illustration) is the mounting plate, which is fixed to the wall using 4 screws appropriate for the material the 4Discovery is being mounted to. If mounting into material such as metal, then self-tapping or machine screws may be more appropriate. If mounting into Wood, then wood screws would be appropriate. When mounting into concrete, concrete anchors may be required, or suitable concrete screws can also be used. Into plaster board, screws that come with the plasterboard anchors are typically OK to use, or simply use screws directly into the wall if deemed appropriate. It is always best to use countersunk (CSK) heads where possible. The heads of the screws must not protrude and prevent the display module from clicking into place.

The display module then clips into this mounting plate and can be unclipped and removed as required. Care needs to be taken when unclipping, to ensure the clips are not broken.

Over the top of the everything is the front cover bezel, which clips over the front of the entire unit, finalizing the module install.

The following diagram is a suggestion for the main center hole relative to the 4 mounting holes. The size of the 4 screw holes will depend on the screws used to mount the 4Discovery, vary these accordingly. The center hole is sized large enough to give clearance to the RJ45 sockets on the rear of the 4Discovery, but small enough that the 4Discovery will cover the hole when mounted.

A rectangle could be cut instead of the center circle, if desired, however a circle is typically easier and faster to cut.



The 4 corner holes are actually slots on the plastic, which give some tolerance when mounting. The slots actually allow for 51.15mm to 56.15mm horizontal centres.

8.2. Removable Front Cover and Module

The front cover bezel of the 4Discovery is removable for access to the display module beneath it, and it provides access to the microSD card socket on the side of the 4Discovery. The cover has little hooks which grab the side of the display module and allow for easy attaching or removing of the cover as required.

The display module (under the front cover bezel) can be unclipped from the mounting plate too, by carefully prizing up the 2 plastic tabs either at the top or the bottom of the unit, and the module will come away from the mounting plate.



9. Module Customisation Options

The 4Discovery can be ordered with customisations when ordering from 4D Systems directly, or in conjunction with your chosen 4D Systems Distributor.

There is a daughter board inside the 4Discovery which is permanently attached at the factory, which is capable of being customised to suit various customer requirements (Refer back to [Section 3](#)). The daughter board houses the 2x RJ45 Jacks and is a separate PCB to the main 4Discovery PCB, connected with soldered header pins.

By default, the 4Discovery comes with what is known as a 'Standard Daughter Board' or 'DB01' which is a simple dual socket RJ45 daughter board, where both ports are looped together enabling daisy chaining of RS485 devices together.

Another daughter board called 'DB02' is also available, which provides RS232, UART and GPIO instead of the default RS485 communications that DB01 provides. This can be useful for 1:1 connection to a nearby machine or controller, where RS485 is not required. This must be custom ordered, so please discuss with our Sales team.

If there are requirements for the RJ45 ports to have a different pinout to what is provided by default in DB01 or DB02, or if extra components such as a 2nd RS485 pair are required, a different type of communication chip (if compatible) or even an additional processor, these customisations can be made possible with a custom Daughter Board.

The benefit of customising just the daughter board over a single main product PCB, is the costs involved in customisations are therefore drastically reduced, as the main product PCB can remain the same.

Please contact our Sales team and discuss your requirements.

If your application requires different colour plastics than the standard white, then please contact our sales team to discuss your requirements.

If your application does not require WiFi, then a customised production run without this fitted is also possible, however please discuss your requirements with our Sales team.

10. Display Precautions

- Avoid having to display the same image/object on the screen for lengthy periods of time. This will cause a burn-in which is a common problem with all types of display technologies. Blank the screen after a while or dim it very low by adjusting the contrast. Better still, implement a screen saver feature or utilise the proximity sensor to dim or turn off the display when no one is nearby.
- Moisture and water can damage the display. Moisture on the surface of a powered display may cause the electrodes to corrode. Wipe off any moisture gently or let the display dry before usage.
- Dirt from fingerprint oil and fat can easily stain the surface of the display. Gently wipe off any stains with a soft lint-free cloth.
- The performance of the display will degrade under high temperature and humidity. Avoid such conditions when storing.
- Displays are susceptible to mechanical shock and any force exerted on the module may result in deformed zebra stripes, a cracked display cell and broken backlight
- Always use the mounting holes on the 4Discovery when mounting the 4Discovery to a wall, enclosure or panel.
- Do not apply undue tightness to the screws when fixing the 4Discovery to the chosen wall/enclosure, the 4Discovery case is made of plastic and may be damaged if screws are fastened too tightly.

11. 4DGL - Software Language

The 4Discovery utilises the DIABLO16 processor, which belongs to a family of processors powered by a highly optimised soft-core virtual engine, EVE (Extensible Virtual Engine).

EVE is a proprietary, high performance virtual-machine with an extensive byte-code instruction set optimised to execute compiled 4DGL programs. 4DGL (4D Graphics Language) was specifically developed from ground up for the EVE engine core. It is a high-level language which is easy to learn and simple to understand yet powerful enough to tackle many embedded graphics applications.

4DGL is a graphics-oriented language allowing rapid application development, and the syntax structure was designed using elements of popular languages such as C, Basic, Pascal and others.

Programmers familiar with these languages will feel right at home with 4DGL. It includes many familiar instructions such as IF..ELSE..ENDIF, WHILE..WEND, REPEAT..UNTIL, GOSUB..ENDSUB, GOTO, PRINT as well as some specialised instructions SERIN, SEROUT, GFX_LINE, GFX_CIRCLE and many more.

For detailed information pertaining to the 4DGL language, please refer to the following documents:

[“4DGL-Programmers-Reference-Manual.pdf”](#)
[“DIABLO16-4DGL-Internal-Functions.pdf”](#)

To assist with the development of 4DGL applications, the Workshop 4 IDE combines a full-featured editor, a compiler, a linker and a down-loader into a single PC-based application. It's all you need to code, test and run your applications.

4DGL is available to be written in two of the four environments offered by the Workshop 4 IDE, Designer and ViSi. The other environments use alternative methods to program or communicate with the 4Discovery. Please refer to the Workshop 4 IDE section for more information.

12. 4D Systems - Workshop 4 IDE

Workshop 4 is a comprehensive software IDE that provides an integrated software development platform for all of the 4D family of processors and modules. The IDE combines the Editor, Compiler, Linker and Down- Loader to develop complete 4DGL application code. All user application code is developed within the Workshop 4 IDE.



The Workshop 4 IDE supports multiple development environments for the user, to cater for different user requirements and skill level.

- The **Designer** environment enables the user to write 4DGL code in its natural form to program the 4D display module.
- A visual programming experience, suitably called **ViSi**, enables drag-and-drop type placement of objects to assist with 4DGL code generation and allows the user to visualise how the display will look while being developed.
- An advanced environment called **ViSi-Genie** doesn't require any 4DGL coding at all, it is all done automatically for you. Simply lay the display out with the objects you want, set the events to drive them and the code is written for you automatically. ViSi-Genie provides the latest rapid development experience from 4D Systems.
- A **Serial** environment is also provided to transform the display module into a slave serial module, allowing the user to control the display from any host microcontroller or device with a serial port.

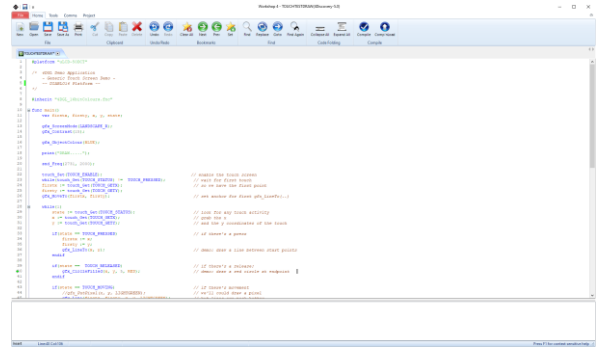
The Workshop 4 IDE is available from the 4D Systems website. www.4dsystems.com.au

For a comprehensive manual on the Workshop 4 IDE Software along with other documents, refer to the documentation from the 4D Systems website, on the Workshop 4 product page.

12.1. Workshop 4 – Designer

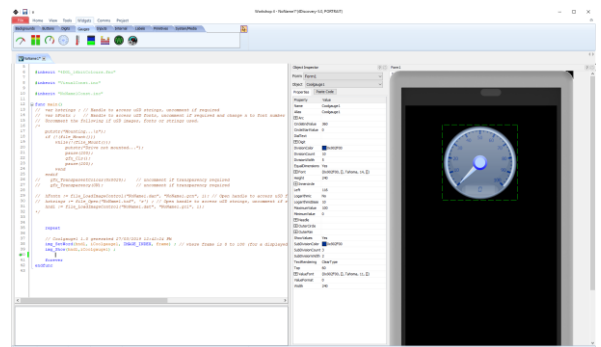
Choose the Designer environment to write 4DGL code in its raw form.

The Designer environment provides the user with a simple yet effective programming environment where pure 4DGL code can be written, compiled and downloaded to the 4Discovery.



12.2. Workshop 4 – ViSi

ViSi was designed to make the creation of graphical displays a more visual experience. ViSi is a great software tool that allows the user to see the instant results of their desired graphical layout. Additionally, there is a selection of inbuilt dials, gauges and meters that can simply be placed onto the simulated module display. From here each object can have its properties edited, and at the click of a button all relevant 4DGL code associated with that object is produced in the user program. The user can then write 4DGL code around these objects to utilise them in the way they choose.



Workshop4 PRO adds a professional set of features to the ViSi environment, called Smart Widgets. These smart widgets allow Users to create custom gauges, sliders, buttons and more, rather than relying on the built-in ones. This provides an extra level of customisation available for intelligent products. Please refer to the **“Diablo16 Internal function Manual”** from the Workshop 4 product page on the

4D Systems website for a complete listing of all the supported 4DGL functions, along with the “**4DGL Programmers Reference Manual**” for information about the 4DGL Language and Syntax.

12.3. Workshop 4 – ViSi Genie

ViSi Genie is a breakthrough in the way 4D Systems’ graphic display modules are programmed. It is an environment like no other, a code-less programming environment that provides the user with a rapid visual experience, enabling a simple GUI application to be ‘written’ from scratch in literally seconds.

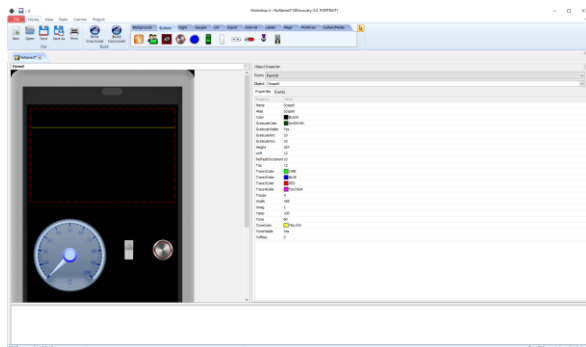
ViSi Genie does all the background coding, no 4DGL to learn, it does it all for you.

Pick and choose the relevant objects to place on the display, much like the ViSi Environment yet without having to write a single line of code. Each object has parameters which can be set, and configurable events to animate and drive other objects or communicate with external devices.

Simply place an object on the screen, position and size it to suit, set the parameters such as colour, range, text, and finally select the event you wish the object to be associated with, it is that simple.

In seconds you can transform a blank display into a fully animated GUI with moving sliders, animated press and release buttons, and much more. All without writing a single line of code!

ViSi Genie provides the user with a feature rich rapid development environment, second to none.



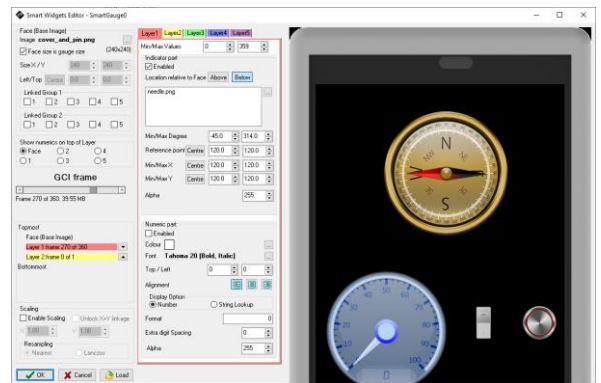
ViSi-Genie’s functionality can be extended with the purchase of a Workshop4 PRO License.

Workshop4 PRO adds a professional set of features to the ViSi-Genie environment called Genie-Magic. The added features allow the user to add in 4DGL scripts, which can be activated from the display itself,

from an interfacing Host, or from an external sensor or device.

These PRO set of features of Genie-Magic allow the User to create an immensely powerful GUI system with a fraction of the effort required by other systems.

Along with Genie-Magic, ViSi-Genie also benefits from Smart widgets, as described in the previous ViSi Environment section.



Refer to the “**ViSi Genie User Guide**” and “**ViSi-Genie User Reference Manual**” from the Workshop 4 product page on the 4D Systems website for information about the ViSi-Genie Environment and its Protocol.

12.4. ViSi-Genie Limitations

While the 4Discovery is capable of being programmed using the ViSi-Genie Environment, there are limitations that need to be observed when using the Standard Configuration using **DB01** daughter board, and RS485.

If the 4Discovery is being programmed as a Slave Device on the RS485 network, it can only function in Polled mode, rather than Event mode due to the RS485 interface being half duplex rather than full duplex. 2-wire RS485 is only half duplex. If the 4Discovery is being programmed as a Master Device (Host) on the RS485 network, it can operate using Event mode, however is limited in data which can be returned from the slaves.

When the 4Discovery is used with ViSi-Genie, only a single Master/Host and a single Slave, can be present on the network. This is the limitation with the ViSi-Genie protocol, as there is no way to direct the ViSi-Genie protocol to a specific Slave, and there is no way for Half Duplex RS485 to handle the responses from the slaves. If more than 1:1 is required, another Environment such as ViSi will be required.

If ViSi-Genie is to be used when operating as a Slave Device, which is the typical operation for a 4D display using ViSi-Genie, when selecting the Event options on any given widget/object, "Reported Messages" cannot be used. The Host must poll each object on the 4Discovery in order to gain the required information. 4Discovery cannot just send information when it likes, which is the case of Reported Messages, as the 4Discovery is a Slave and therefore is only allowed to speak when spoken to.

If ViSi-Genie is to be used when operating as a Host Device, the Reported Message option can be used as it can speak out to the bus as required since it is the Master of the RS485 bus. However, it is not possible to request information from Slave devices, such as the value of something, as there are no standard functions available in ViSi-Genie to request data from another device. This mode is typically only useful if the 4Discovery only features controls such as buttons, switches, sliders and knobs, which do not require data to be displayed, and only send data out to the slaves in order for them to do a specific function. It therefore has limited but still applicable applications.

Workshop4 PRO has an advanced ViSi-Genie environment with widgets which allow 4DGL code to be executed by the ViSi-Genie environment when various situations occur, such as button presses, data being received, touch screen interaction, etc. With Workshop4 PRO, a number of the above limitations are lifted and therefore possible.

4D Systems has ViSi-Genie libraries for the Arduino and the Raspberry Pi. ViSi-Genie can be used with other hosts, however these are the 2 platforms we have libraries written for.

For the best experience, the ViSi environment is recommended for the 4Discovery, as this allows you to code the protocol exactly as you need it for your system, and you also benefit from all the graphics widgets and features.

If utilising a **DB02** instead of **DB01**, which does not utilise RS485 communications, then the limitations noted here can be discounted. Also, if using a customised Daughter Board, then likely these limitations can also be discounted. These are specifically for RS485 communications, such as found on the **DB01** daughter board in the Standard 4Discovery Configuration.

12.5. Workshop 4 – Serial

The Serial environment in the Workshop 4 IDE provides the user the ability to transform the 4Discovery into a slave serial graphics controller.

This enables the user to use their favourite microcontroller or serial device as the Host, without having to learn 4DGL or program in a separate IDE.

Once the 4Discovery module is configured by the Serial Environment (by downloading what is called the SPE application to the module), commands can be sent from the users host microcontroller to display primitives, images, sound and video, and can even be used to display ViSi generated graphics and widgets.

The Serial Environment should not be taken as being basic in terms of its capabilities, as it has the full 4DGL command set behind it, but available from the Host rather than from programming the display module itself using the Workshop4 IDE.

Virtually anything created in Designer or ViSi, can be designed or controlled from the Serial Environment.

Refer to the "**Diablo16 Serial Command Set Reference Manual**" from the Workshop 4 product page on the 4D Systems website for a complete listing of all the supported serial commands

13. Connecting to External Hardware (DB01 – RS485)

The 4Discovery can act as a RS485 Master, a RS485 Slave, or in a Multi-Master configuration, when appropriate circuitry is present on the devices being interfaced to, and appropriate software is written. It is also possible to connect multiple 4Discoveries on to a single bus at the same time.

RS485 is a Multi-Drop differential system, meaning there can be multiple devices on the same RS485 bus, but it can only operate in Half Duplex mode, meaning only 1 device can speak at a time (which is typically dubbed the Master). There is typically only 1 Master in an RS485 system (with some exceptions – Multi Master can occur when only 1 Master is active at any given time).

All devices on the RS485 bus **MUST** communicate using the same protocol else the system will not work.

13.1. Master and Slaves (DB01 – RS485)

The 4Discovery is a Half-Duplex RS485 device, which means it operates on a 2-wire RS485 bus, which means there can be only typically be a single Master device, and multiple Slave devices, and only the Master can initiate communication, and a Slave can only communicate if first spoken to. Only 1 device can talk on the bus at any given time.

The simplest way to achieve this is when building a new network, and each device on the network is programmable and capable of handling a customised protocol. With an appropriate protocol, the Master can initiate communicate to one or all slaves at once (a Broadcast), and the Slaves will receive the information, process it and based on which slave the message was intended for, that Slave will reply with the information requested or an Acknowledgement of an Action taken place. In the case of a Broadcast, the Slaves should not attempt to reply at all, as only one device can reply at once and this could lead to chaos on the network (Unless an innovative protocol is derived).

In the case of an existing RS485 system that 4Discovery is going to be placed into, the 4Discovery may need to be a Slave device to an existing Master, and an existing Protocol may need to be programmed into the 4Discovery.

On the 4Discovery there is a Turn Around pin. This pin is wired directly to the RS485 transceiver in the 4Discovery, which switches the system from Transmit to Receive. This pin is also connected to a GPIO of the Diablo16 processor and is therefore capable of being controlled by the 4Discovery, to tell other devices the state of the transmit/receive on the 4Discovery. While this Turn Around pin may not be used in most cases, it may be useful for those special systems where Automatic Direction Control is not possible, such as if an existing protocol does not support it, but the control of a GPIO is possible.

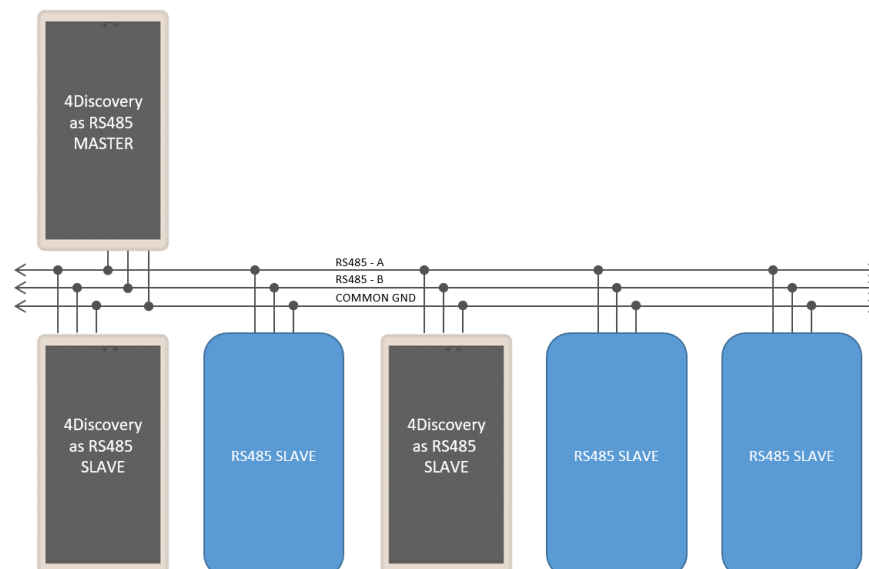


Figure 1. Typical 2-wire RS485 configuration, which includes a common ground.

13.2. 4Discovery as a Host (DB01 – RS485)

The 4Discovery is capable of being the Master device of the RS485 network. It therefore needs to communicate to all Slave devices on the network and handle the replies from each of them.

The 4Discovery is fully programmable by the User when used in Designer or ViSi, and therefore every aspect of the system needs to be managed by User Code. To enable the 4Discovery to transmit out of the RS485, the Turn Around pin needs to be High, which is controlled using the PA14 GPIO on the Diablo16 processor on board the 4Discovery. To enable the 4Discovery to receive over RS485, the Turn Around pin needs to be Low.

As mentioned in 11.1 'Master and Slaves', the 4Discovery is capable of being used in new RS485 systems, as well as existing systems. When used in new systems, the 4Discovery protocol can be more easily customised to provide the best mix of features and performance as possible, compared to existing systems which typically have a protocol already defined or devices which use a fixed protocol. The 4Discovery is fully programmable so is capable of working with a large range of new and existing systems, even if the protocols are specialised. A main factor is that all devices on the RS485 bus need to take the same protocol, else the system will not operate correctly.

If there are systems which are not capable of determining when the Slaves are 'allowed' to Transmit, the Turn Around pin may be used from the 4Discovery to indicate when the Master (4Discovery) is transmitting or receiving and may be useful to assist the Slave.

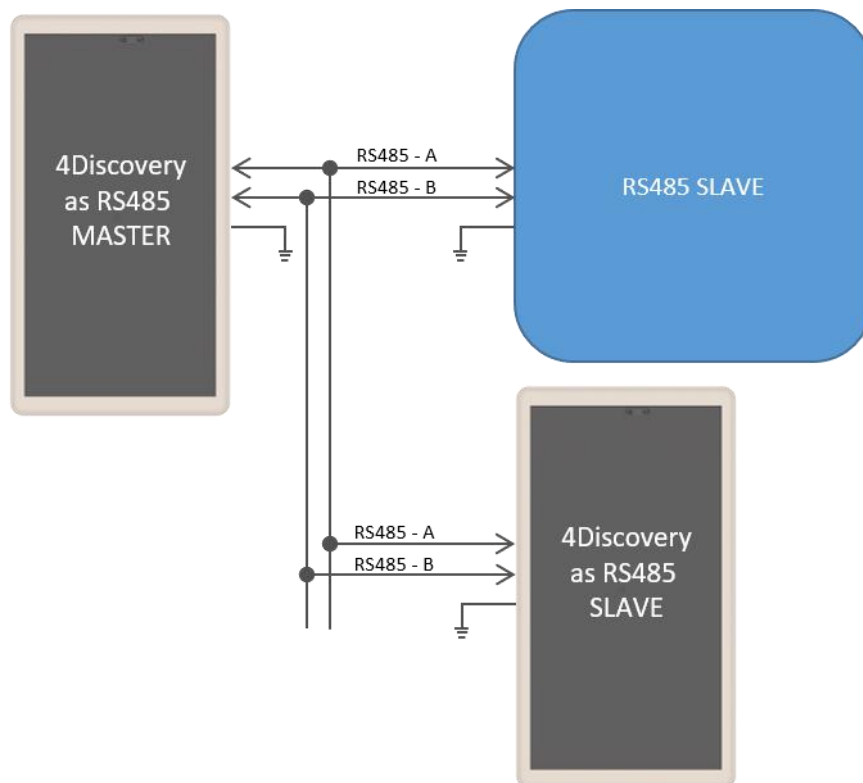


Figure 2. This shows a 4Discovery as the Master of the RS485 Bus, and there are multiple Slaves, which can include multiple 4Discovery's (as Slaves). The Master could communicate to each of the Slaves individually, or to all of them by doing a Broadcast, however this is dictated by the User Protocol and how the system is set up. Each Device on the bus needs to communicate using the same protocol, and each device needs to be able to control its own Transmit/Receive mode of its RS485 transceiver.

13.3. 4Discovery as a Slave – (DB01 – RS485)

To operate the 4Discovery as a RS485 Slave, the same considerations need to be made regarding the protocol used in the system, as when the 4Discovery was the Host. An appropriate Protocol is required such that the Master Device transmits out onto the bus to the slaves, either pinpointing a single Slave device, or broadcasting to all Slave devices on the Bus. Based on the Protocol, the Slaves will receive the message and if the message is not intended for them, then to discard it. If the message is intended for them to then wait for the end of the message and reply accordingly.

The 4Discovery is not capable of Auto Direction Control, and therefore needs to be either externally controlled by the host (as is the case when the 4Discovery is programmed using the 4D RS485 Programmer), or more commonly the 4Discovery would handle the Direction Control of its RS485 transceiver based on the data received on the RS485, dictated by the Protocol.

The PA14 GPIO on the 4Discovery is connected to the Turn Around pin on the RJ45 Jack, and it is also connected to the Transmit/Receive controls of its RS485 transceiver. When the 4Discovery is in Slave Mode, the GPIO needs to be controlled based on the data received over the RS485, to place the 4Discovery in the appropriate Transmit or Receive state based on the information received, dictated by the Users protocol.

If this is not possible, the Turn Around pin can be controlled from the Host to manually change the 4Discovery from being in Transmit or Receive mode, however this is less desirable and should only be used in special situations. For example, if the 4Discovery is a Slave and the PA14 GPIO is Low, then the Host is currently in Transmit mode, and data could be flowing over the RS485 and should therefore be captured and processed. If the PA14 GPIO is High, then the 4Discovery has the opportunity to reply or send information to the Host if required, in response to the previous data received.

When multiple devices are on the bus, ie more than 1 slave, Designer or ViSi Environments can be used to program the 4Discovery as a Slave. If only a single slave exists and no more are going to be added, ViSi-Genie can be used. Please refer to Section 13.4 “ViSi-Genie Limitations with 4Discovery” for more information.

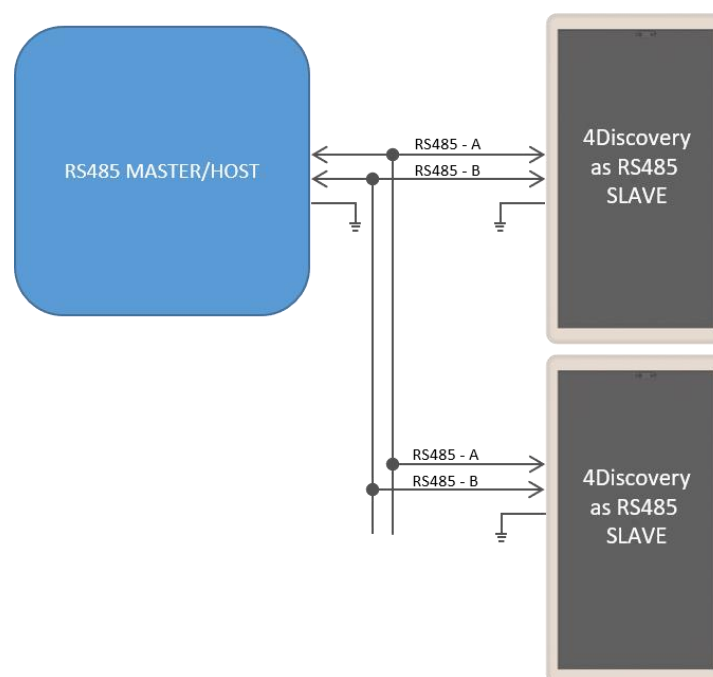


Figure 3. This shows the situation where there are 1 or more Slaves on the network, of which 1 or more could be a 4Discovery. Each Slave needs to handle the changing of its own Transmit/Receive, based on the information received from the Master. Only one Slave should reply at any given time, after the Master has transmitted to it. Utilizing RS485 transceivers with Auto Direction control can simplify the setup, however a suitable protocol needs to be utilized regardless.

13.4. 4Discovery Multiple Masters – (DB01 – RS485)

It is possible to implement a system which has multiple Master devices on the RS485 network, provided the protocol is written to support this.

There may be situations where multiple 4Discoveries are required in a building, all attached to the same RS485 network, and talk to the same Slaves. While this is not a typical situation in the eyes of RS485, it is possible to do if each of the devices on the RS485 can be programmed to handle this. The protocol programmed into the devices needs to be written such that all devices are in Receiving Mode by default, and only go into Transmit Mode when they are initiating a transmission. This will allow any of the 4Discoveries working as a Master to send out a message on to the bus, to be received by the other units.

As with any 2-wire RS485 network, only one Master can talk at any given time. If a configuration is used where there are multiple Masters on the same RS485 bus, the programming either needs to prevent multiple Masters speaking at the same time, else it needs to handle it if the situation arises, such as if 2 Users are working on 4Discoveries in separate locations, trying to send onto the bus at the same time.

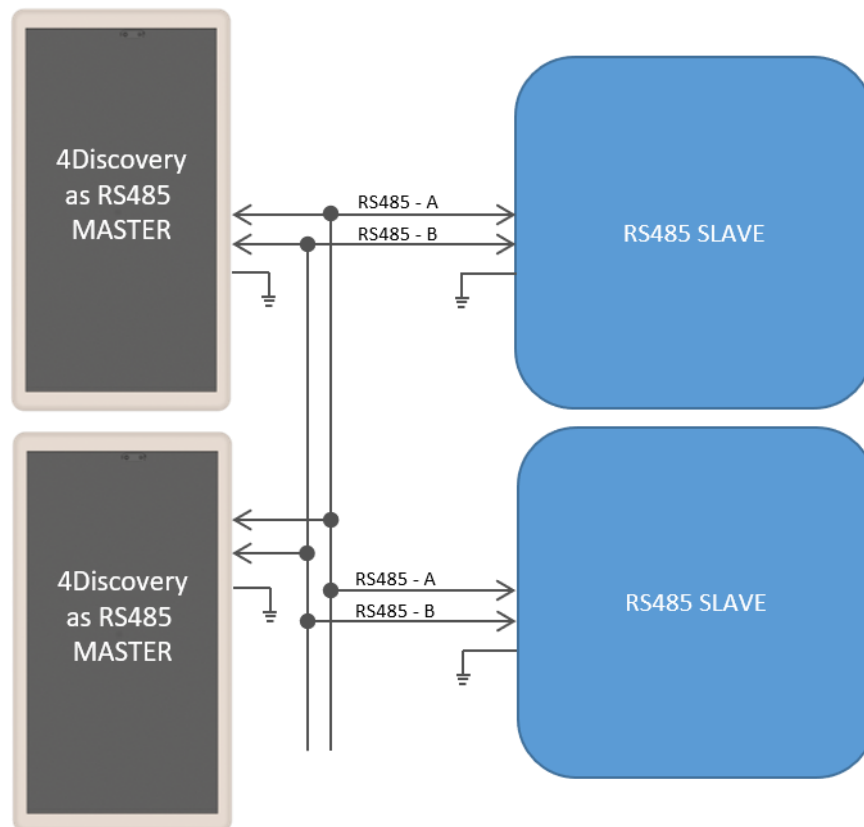


Figure 4. This shows multiple Masters on the RS485 network, with multiple Slaves. A specialised program and protocol is required to realise this setup, but is useful if more than one 4Discovery is required on the network to control the same set of equipment from multiple locations.

13.5. Programming 4Discovery – (DB01 – RS485)

The main method available to program the 4Discovery directly is by using the 4D RS485 Programmer. This device programs the 4Discovery over the RS485 bus, as well as supplying it Power and controlling the Turn Around pin of the 4Discovery and the Reset signal, to appropriately program the on-board Diablo16 Processor.

There is no other programmer which can be used to program the 4Discovery. The 4D RS485 Programmer is also capable of upgrading the PmmC/Firmware of the 4Discovery and the Display Driver, along with the User Application.

An alternative method of loading a new Application on to the 4Discovery is by loading a precompiled program from microSD storage, on to the on-board flash of the Diablo16 processor. This can be done using the built-in functions of the Diablo16 processor and enables the 4Discovery to be updated in the field by the End User, without having to have a technician or technical person on call to program the 4Discovery using the 4D RS485 Programmer and PC. This method however cannot be used to upgrade the PmmC or Display Driver. This can only be done using the 4D RS485 Programmer. To enable the loading of precompiled programs onto the 4Discovery from the microSD card, an appropriate application needs to be written, this is not possible straight out of the box.

Here is a diagram to show the basics of how the 4Discovery interfaces to the 4D RS485 Programmer.

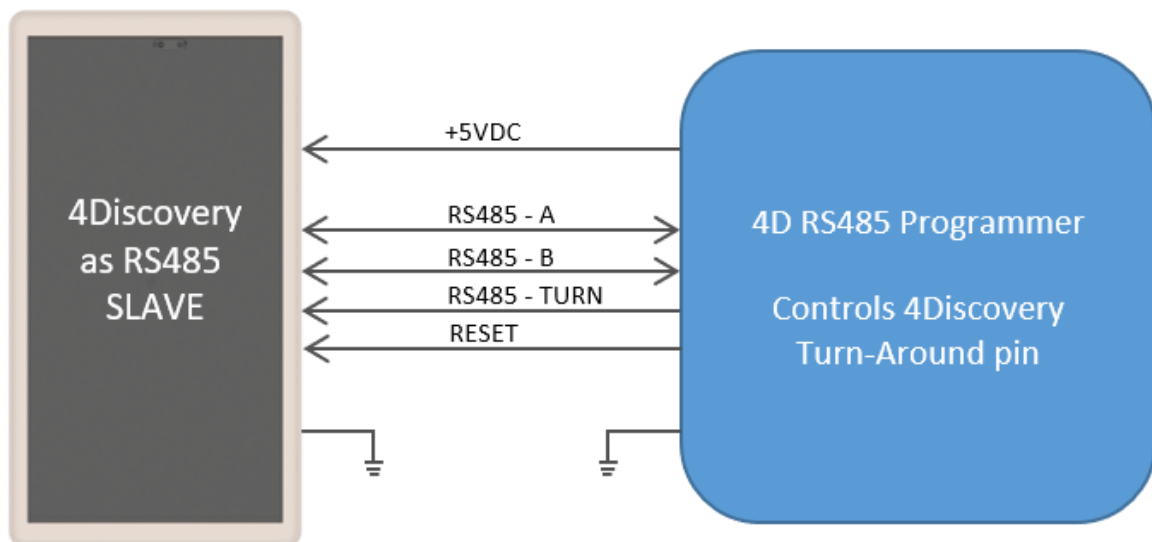


Figure 5. This is the situation used when programming the 4Discovery using the 4D RS485 Programmer. The Programmer controls the 4Discovery's Turn Around Pin, allowing the programming software to dictate when the 4Discovery is listening and when it is allowed to reply to programming commands. This same setup can be used for general communications also, where there is one external Master, and 4Discovery as a single Slave. It is not possible to have multiple Slaves in this situation, due to the way the Turn Around Pin is interfaced with the 4Discovery in order to make the 4Discovery programmable over the RJ45 connector using RS485.

Programming of the 4Discovery is only possible when the 4Discovery is disconnected from the RS485 network and is connected 1:1 with the 4D 485 Programmer. It is not possible to program it when connected to the network, as the Reset and Turn Around pins are required to program the 4Discovery, and other devices may try to communicate on the bus when programming is occurring, which could cause corruption and the programming to fail. Reset and Turn pins are also TTL level, so the distance these should ideally be transmitted over, should be as short as possible. Please refer to Section 6, for more information.

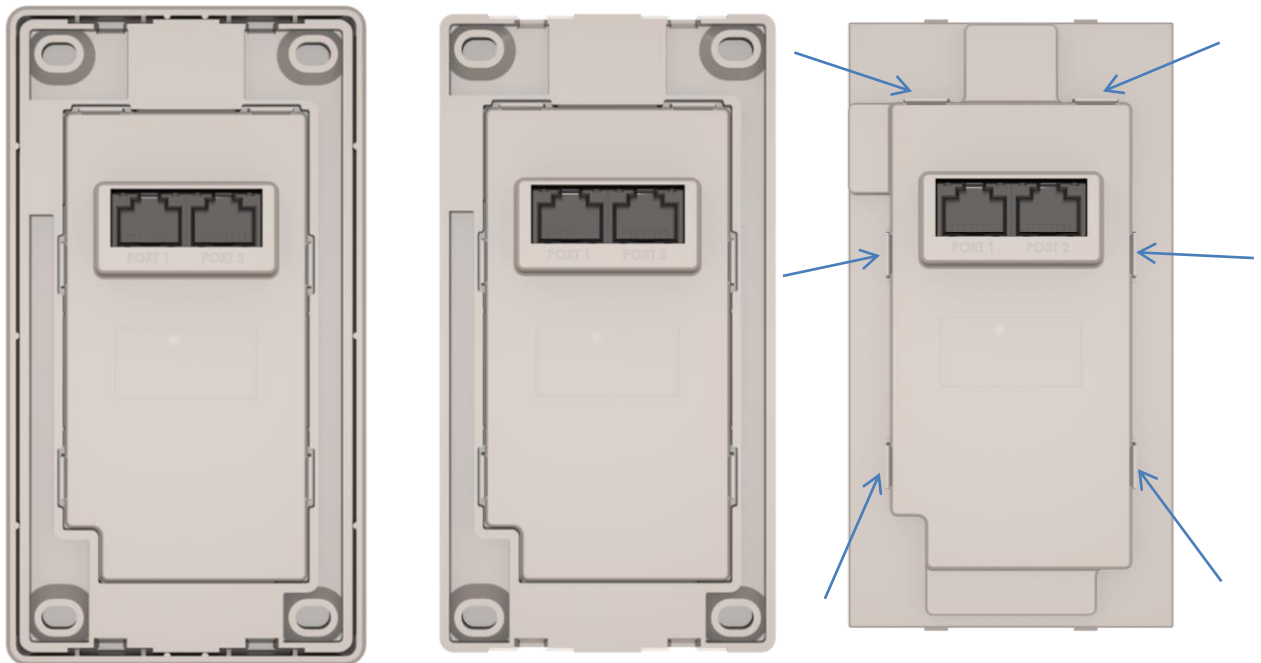
13.6. Termination Resistors – (DB01 – RS485)

On each 4Discovery DB01 is a built in 120ohm termination resistor. This is open/deactivated by default.

The termination resistor is there to absorb reflections in the RS-485 bus and are typically are only used at each end of the bus, ie the first device and the last device. Depending how you are configuring your system with the 4Discovery, will determine if you need a termination resistor or not. In a number of cases, having a termination resistor present is better than not having a termination resistor at all, even if the termination is not located at the end of the bus, however this is very subjective and system dependant.

If the lack of on-board termination is causing problems with communication, it can be enabled, but requires the 4Discovery case to be carefully opened and the PCB modified with a simple solder bridge.

Once the Front Cover of the 4Discovery has been removed, and the Display Module has been separated from the Mounting Plate (Please refer to Section 8), the cover on the back side of the 4Discovery can be removed. This is attached with multiple clips, which need to be carefully prised away from the cover to enable it to lift out. Using a plastic tool or possibly two plastic tools, these clips can be carefully opened, and the back cover removed, exposing the circuitry inside.



Under the cover the DB01 daughter board will be seen, sitting on headers on top of the main PCB.

On the bottom left corner of the DB01 daughter board there are two pads with a label JP1. These two pads need to have a solder blob added to connect them together. This will **enable** the 120ohm resistor.

On request this can be done at factory.

If the 120ohm resistor needs to be disabled again, these pads can be unsoldered and separated.

Note: Care needs to be taken when performing this modification. This should only be attempted by people who know the risks and are capable of modifying the PCB.

Image next page.

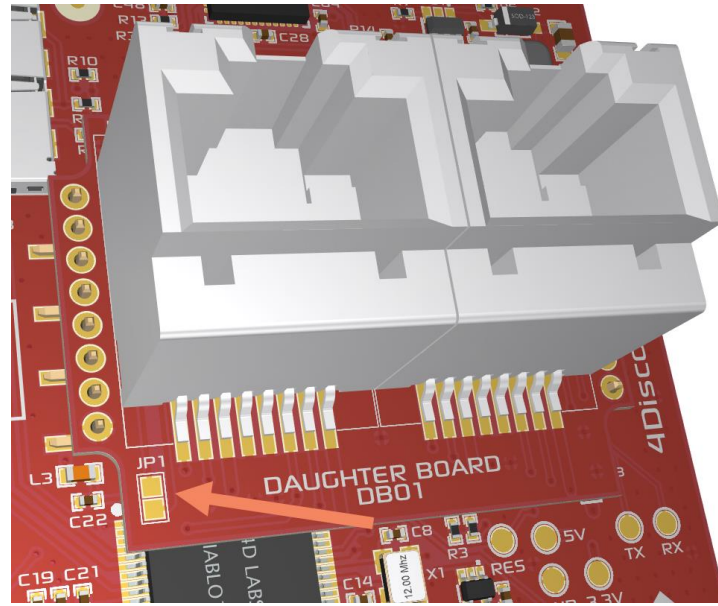


Figure 6. Arrow pointing to the JP1 pads which are used to enable the 120ohm Termination Resistor for RS485

14. Connecting to External Hardware (DB02 – RS232 and UART)

The 4Discovery can utilise both RS232 and Serial UART communication ports when fitted with the **DB02** Daughter board. Serial UART and RS232 are both Single-Ended communication busses and can operate in Full Duplex configurations, meaning it's a 1:1 connection between 2 devices and both can talk at the same time without conflict. Serial UART is typically used for close distances between the 2 devices, normally within cm or max of a meter or two, depending on the environment and cabling used. RS232 can stretch to a longer distance, typically a max of 10-15 meters.

RS485 on the other hand (found on **DB01** configuration – See Section 14) is Multi-Point which can have up to 32 devices on a single bus, but is Half-Duplex, meaning only 1 device can speak on the bus at a single time, typically meaning there is One Master and Multiple Slaves.

14.1. RS232 Communications

In an RS232 system, there are 2 devices. One or both could be 4Discovery modules. This configuration is good for connecting a 4Discovery up to a Host system, which is within about 10-15 meters of each other.

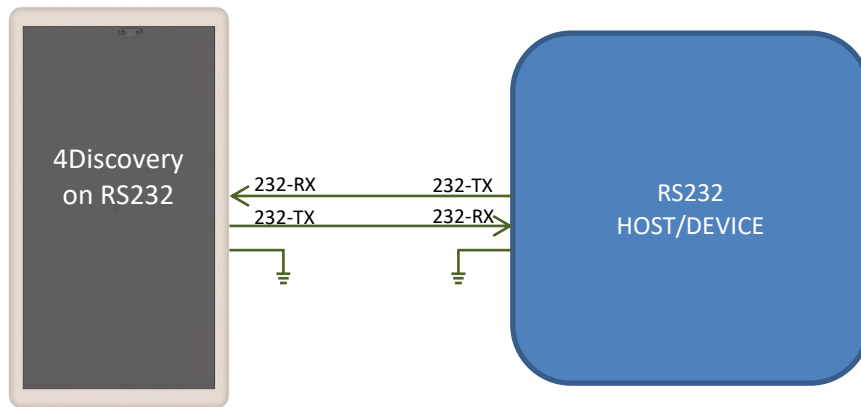


Figure 7. RS232 connections between a 4Discovery and an RS232 Device

14.2. Serial UART Communications

In a Serial UART system, there are 2 devices. One or both could be 4Discovery modules. This configuration is good if the 2 devices are close together, typically in a control box/enclosure together, or on the same piece of equipment. The 4Discovery operates at a 3.3V Logic level UART and is compatible to receive 5V logic signals without a problem.

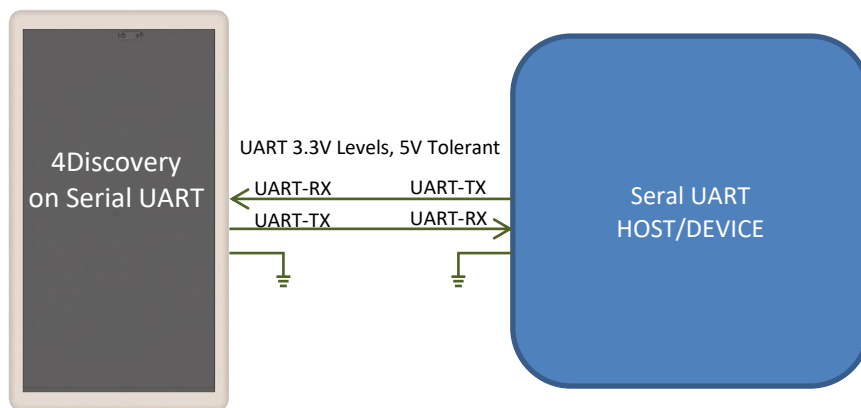


Figure 8. Serial UART connections between a 4Discovery and an Serial UART Device

14.3. Programming 4Discovery – (DB02 – UART)

The main method available to program the 4Discovery directly when using the **DB02** configuration, is by programming the module over the serial UART, using a 4D Programmer such as the 4D-UPA, or Programming Cable. This is the same method that is used to program virtually all 4D Systems display modules, excluding the 4Discovery range when using RS485 communications. Please refer to Section 6 for more information.

Programming is not possible over the RS232, it must be over the Serial UART.

To program the 4Discovery 5" using the UART, a suitable cable will be required to tap into the required pins on PORT 1 of the **DB02** daughter board's RJ45 port. This can easily be made by taking a CAT5 cable, cutting off one end to expose the wires, isolating the wires required as per the table below, and connecting them to the 4D Programmer.

A dedicated off-the-shelf programming cable may be made available in the future.

As a reminder from Section 4.2, the pinout of DB02 PORT 1 is as follows:

DB02 – PORT 1			
Pin	Symbol	I/O	Description
1	VIN	P	7.0V to 30VDC Input. Recommended range is 12V to 24V. This is the primary power source of the 4Discovery.
2	RX0	I/O	Connected to the Diablo16 RX0 port, UART Receive, used for Programming Diablo16, but also for communications to external devices. This pin is 5V tolerant but operated at 3.3V logic levels.
3	TX0	I/O	Connected to the Diablo16 TX0 port, UART Transmit, used for Programming Diablo16, but also for communications to external devices. This pin outputs at 3.3V levels but is compatible with 5V logic systems.
4	GND	P	System Ground, relevant to VIN and 5V_IN
5	GND	P	System Ground, relevant to VIN and 5V_IN
6	5V_IN	P	5.0VDC Input. This is typically only used to power the 4Discovery during programming, however it can be used to power the 4Discovery if a higher voltage power source into VIN is not available. Should be in the range of 4.5V to 5.5V, nominal 5.0V. Please see relevant section on System Pins. Take note of voltage drop across long cables, and the current requirements of the module, especially when powering off 5V.
7	RESET	I	Reset signal used for programming the 4Discovery over the UART. Can be used by an external device if the 4Discovery needs to be reset. Active Low.
8	GPIO	I	This GPIO is connected to Diablo16 pin PA4 . Please refer to the Diablo16 Processor datasheet for specific information on the capabilities of this GPIO.

The green highlighted rows indicate the primary signals required for programming the 4Discovery. Power is also required, and this would typically be using 5V_IN and GND, also connected to the same programmer – however there may be customer driven situations where VIN is required. If VIN is utilized, just ensure GND is common between the VIN source and the 4D Programmer.

RX0, TX0 and RESET, along with either 5V_IN and GND, or VIN and GND, should be connected to the 4Discovery 5", PORT 1.

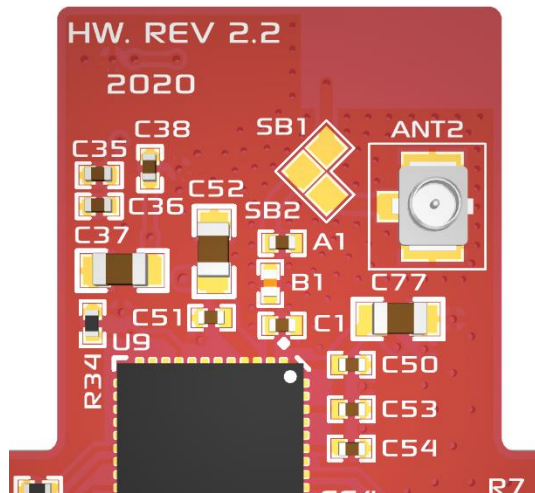
The Workshop4 IDE or one of its tools (mentioned in section 6) can then be utilized to program the Diablo16 processor of the 4Discovery module.

15. WiFi Antenna Selection

From factory, modules featuring the ESP32 WiFi is set up to use the internal ceramic antenna. If the external u.FL configuration is required, this can be configured for your order by talking to 4D Systems Sales, or can be modified by the User. The u.FL connector is populated, however requires the solder bridge jumpers to be changed in order to select it for operation.

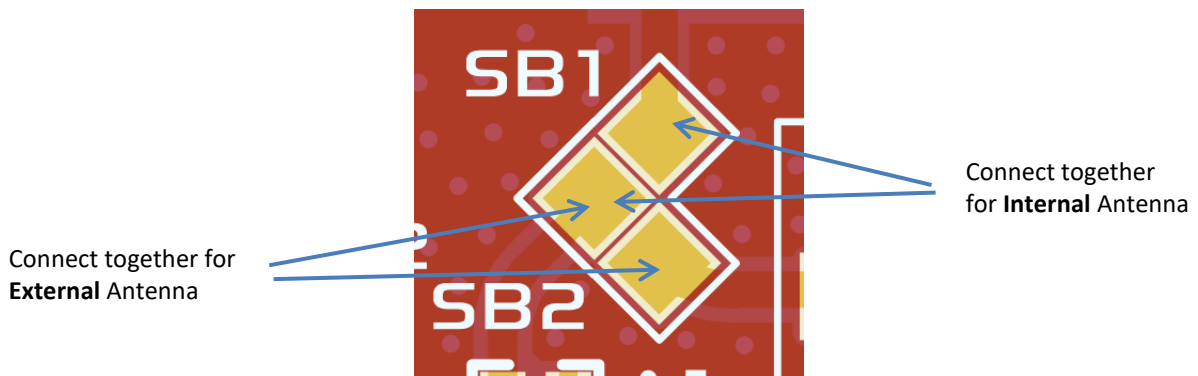
Please follow the same instructions in the previous section for the Termination Resistor to gain access to the surface of the PCB.

At the top of the PCB, is the location of the WiFi components. The internal antenna is mounted on the rear side of the PCB, so is not accessible for inspection, however the connections to enable or disable the antenna are present for modification.



By default, SB1 is soldered closed with a solder blob, which enables the ESP32 to be connected to the internal antenna on the rear side of the PCB.

If the u.FL connector (ANT2) is required for connecting an external antenna, then SB1 should be unsoldered and opened, and SB2 closed instead, using a soldering iron.



Note: If both SB1 and SB2 are connected at the same time, then WiFi performance may be impacted, as both the internal and the external antenna will be enabled at the same time.

Note: Care needs to be taken when performing this modification. This should only be attempted by people who know the risks and are capable of modifying the PCB.

Note: An external patch cable (for example u.FL to SMA) can be attached and fed through the external cover of the 4Discovery at the top-right of PORT2 RJ45 port, there is a small slot located there for this purpose. Please refer to Section 7.5 for more information.

16. Display Module Part Numbers

The following is a breakdown on the part numbers and what they mean.

Example:

4Discovery-50W-DB02

4Discovery	- 4Discovery Display Range
50	- Display size (5.0")
W	- WiFi/Bluetooth enabled module (see Section 7.5)
DB01	- Daughter Board 01 Configuration (see Section 3) – see note 1 below
DB02	- Daughter Board 02 Configuration (see Section 3)
"Custom"	- Placeholder used to designate a custom configuration (see Section 9)

Notes:

- 1) For part numbers which do not include DB01, DB02 etc, assumes it is the standard module type and is DB01
- 2) For part numbers which do not include W after the 50, means this model does not feature WiFi or Bluetooth
- 3) All 4Discovery 5" modules are Capacitive Touch
- 4) "Custom" designates a Custom Configuration – typically a custom Daughter Board, which would be modified for the Individual/Company use. "Custom" would be replaced with an appropriate suffix to suit the customisation. This would be created in conjunction with our Sales department, with the individual/company involved.

19. Mechanical Details

Proxy Sensor Opening

139.4
125.6
110.5

62.6
66.2
76.20

LCD Active Area
LCD Masked Area

SECTION A-A
SCALE 1 : 2

24.79
11.7
13.1

Product Label

41.46
51.15
56.15

118.84

ITEM NO.	PART NUMBER	DESCRIPTION	Material	QTY.
1	4Dsystems_5in_001	LCD Panel - With Capacitive Touch	-	1
2	4Dsystems_5in_004	Mounting Frame	ASA - Electric White	1
3	4Dsystems_5in_005	PCB Cover	ASA - Electric White	1
4	4Dsystems_5in_006	Screen Frame	ASA - Electric White	1
5	4Dsystems_5in_007	Cover Plate	ASA - Electric White	1
6	4Dsystems_5in_009	Adhesive Tape	0.2mm Thick Adhesive Tape	1
7	4Discovery-5.0-REV2.2	PCB	-	1

Notes

Option - Fix to drywall with 2 x 8Gx25mm CSK Head Phillips Chipboard Screws

REVISIONS

REV.	DESCRIPTION	DATE	APPROVED
0	Product Release	11/06/2020	4D

COPYRIGHT STRICTLY RESERVED UNLESS OTHERWISE SPECIFIED: DIMENSIONS ARE IN MILLIMETERS
 THE DESIGN AND TECHNICAL INFORMATION AS DETAILED ON THIS DRAWING IS THE PROPERTY OF CSIR EDMONDS AND IS FOR CONFIDENTIAL USE ONLY. IT IS NOT IN ANY WAY TO BE REPRODUCED, COPIED OR COMMUNICATED IN WHOLE OR PART TO ANY THIRD PARTY OR TO BE USED FOR ANY OTHER PURPOSES WITHOUT THE WRITTEN PERMISSION OF CSIR EDMONDS.

UNLESS OTHERWISE SPECIFIED: DIMENSIONS ARE IN MILLIMETERS
 TOLERANCES: LINEAR: ±0.5mm
 ANGULAR: ±0.5°

3RD ANGLE PROJECTION DO NOT SCALE REVISION 2.2

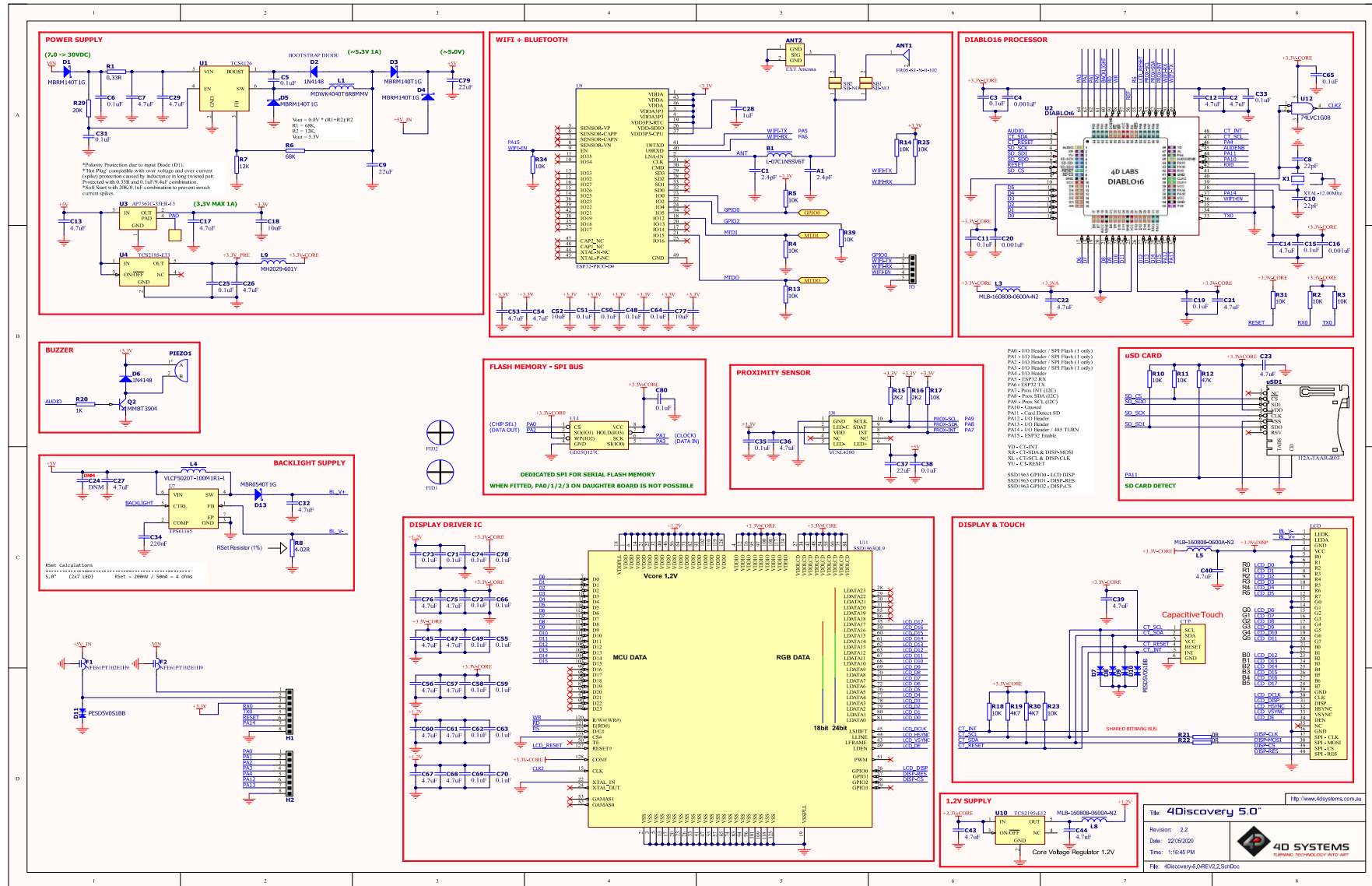
4D Systems Pty Ltd

TITLE: 4Discovery-5.0 Module

DWG NO: 4Discovery-5.0 REV 2.2 A3

SCALE: 1:2 SHEET 1 OF 1

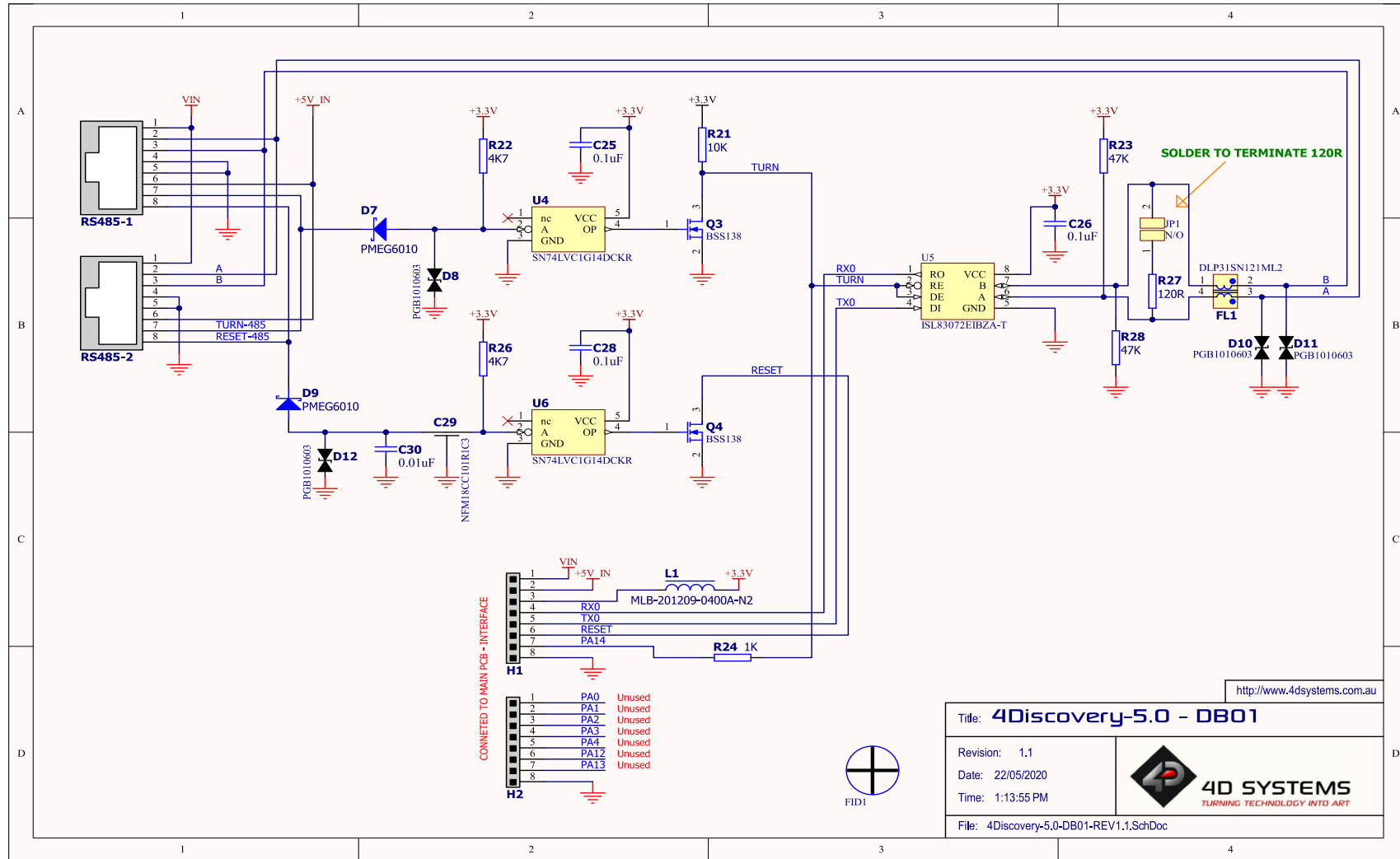
20. Schematic Diagram – Main PCB – REV 2.2



Title: 4Discovery 5.0*
Revision: 2.2
Date: 22/05/2020
Time: 1:16:45 PM
File: 4Discovery_5.0_REV2.2_SchDoc

<http://www.4dsystems.com.au>
 4D SYSTEMS
 HUMAN TECHNOLOGY. REVOLUTIONARY.

21. Schematic Diagram – Daughter Board DB01 – REV 1.1



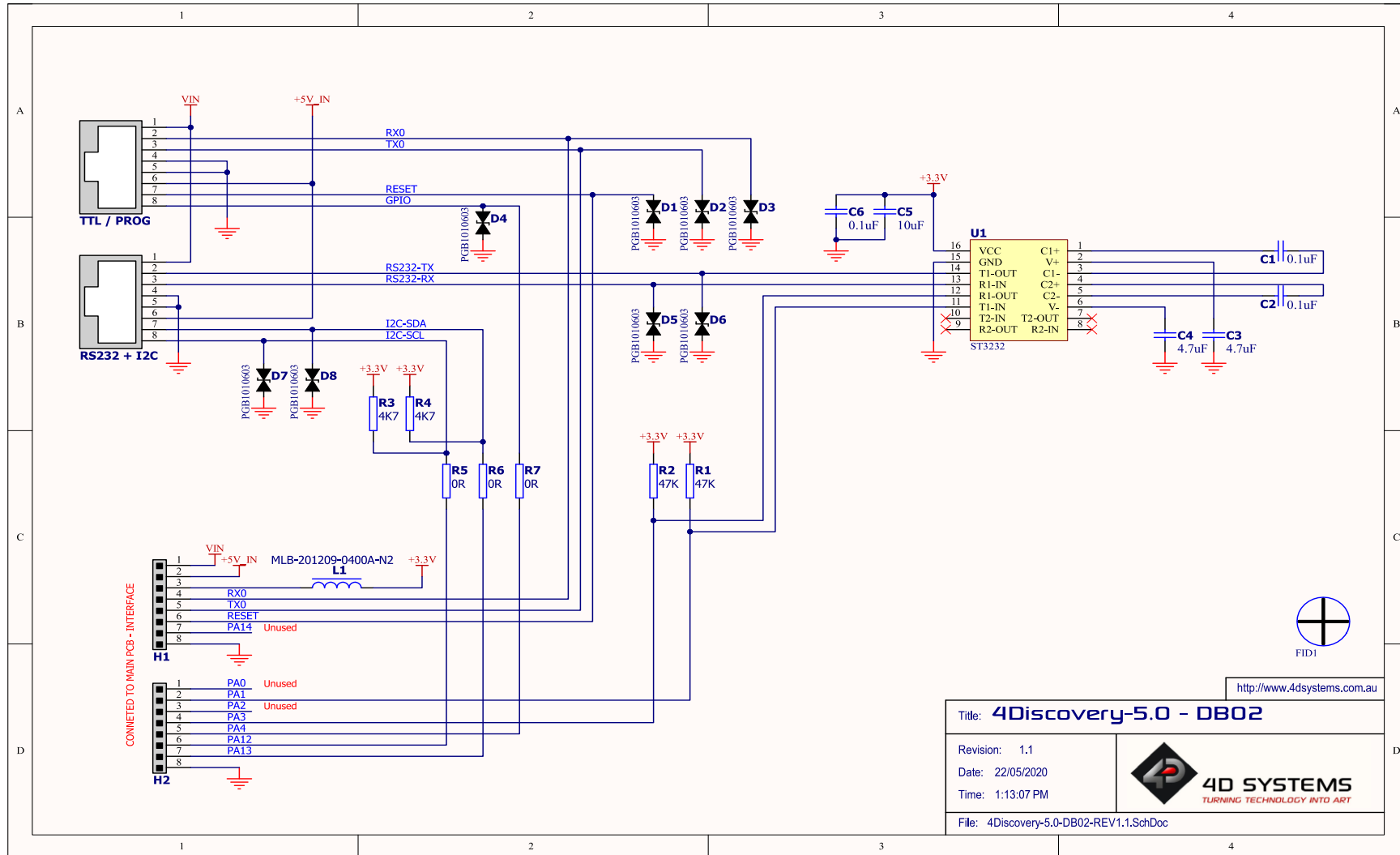
<http://www.4dsystems.com.au>

Title: **4Discovery-5.0 - DB01**


Revision: 1.1
 Date: 22/05/2020
 Time: 1:13:55 PM

File: 4Discovery-5,0-DB01-REV1.1,SchDoc

22. Schematic Diagram – Daughter Board DB02 – REV 1.1

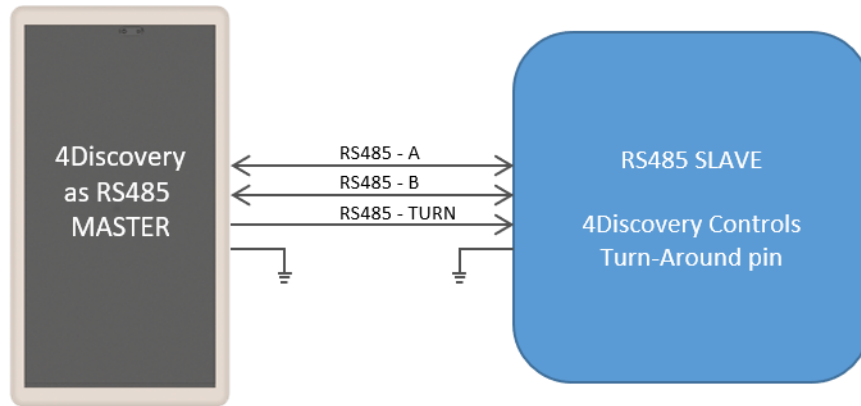


<http://www.4dsystems.com.au>

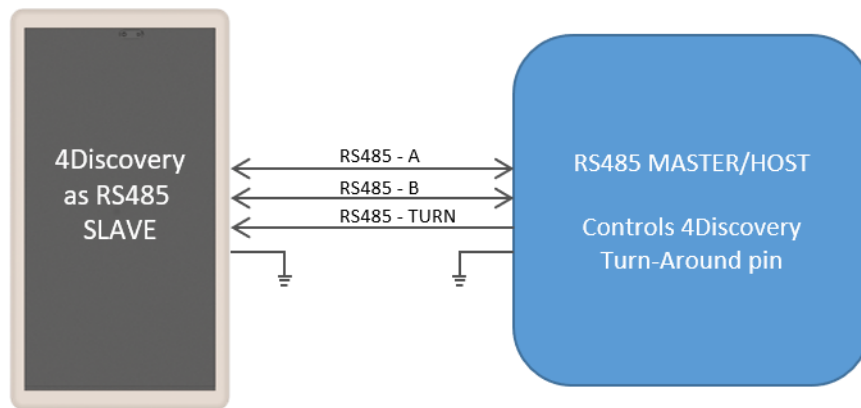
Title: 4Discovery-5.0 - DB02	
Revision: 1.1	 4D SYSTEMS <small>TURNING TECHNOLOGY INTO ART</small>
Date: 22/05/2020	
Time: 1:13:07 PM	
File: 4Discovery-5.0-DB02-REV1.1.SchDoc	

23. Appendix 1 – (DB01 – RS485)

The following are a few additional configurations for the 4Discovery.



This image shows the 4Discovery when acting as Master, connecting to a Slaved device which is incapable of Auto turn-around, but can have its RS485 chip controlled externally by the 4Discovery. Not a typical situation.



This image shows the 4Discovery when acting as a Slave, where the Master device is controlling the Turn pin of the 4Discovery. This is an unlikely situation, as the 4Discovery typically would be programmed to Auto Turn based on the protocol of the Master.

24. Specifications and Ratings

ABSOLUTE MAXIMUM RATINGS	
Operating ambient temperature	-20°C to +70°C
Storage temperature	-30°C to +80°C
Voltage on VCC with respect to GND	7.0V to 30VDC
Voltage on 5V_IN with respect to GND	4.5V to 5.5V
<p>NOTE: Stresses above those listed here may cause permanent damage to the device. This is a stress rating only and functional operation of the device at those or any other conditions above those indicated in the recommended operation listings of this specification is not implied. Exposure to maximum rating conditions for extended periods may affect device reliability.</p>	

RECOMMENDED OPERATING CONDITIONS					
Parameter	Conditions	Min	Typ	Max	Units
Supply Voltage (VCC)	Stable external supply required	7.0	12.0	30.0	V
Supply Voltage (5V_IN)	Stable external supply required	4.5	5.0	5.5	V
Operating Temperature		-10	--	+60	°C
Reset Pulse	External Open Collector	20	--	--	µs
Operational Delay	Power-Up or External Reset	500	--	5000	ms

GLOBAL CHARACTERISTICS BASED ON OPERATING CONDITIONS					
Parameter	Conditions	Min	Typ	Max	Units
Supply Current (ICC)	24V, heavily depends on screen usage conditions, SD Card, WiFi etc.	8	125	--	mA
	12V, heavily depends on screen usage conditions, SD Card, WiFi etc.	14	245	--	mA
	5V, heavily depends on screen usage conditions, SD Card, WiFi etc.	26	545	--	mA
Diablo16 Flash Memory Endurance	PmmC / Application Programming	--	10000	--	E/W
Diablo16 Memory Data Retention	Provided Maximum ratings are not exceeded.	20	--	--	Years
Display Endurance	Hours of operation, measured to when display is 50% original brightness	--	30000	--	H
Glass Hardness	Cover Glass Hardness	--	6	--	H
Transparency	Touch Screen Transparency	90	--	--	%

LCD DISPLAY INFORMATION		
Parameter	Conditions	Specification
Display Type		IPS LCD
Display Size		4.95" (5.0") Diagonal
Display Resolution		480 x 854 (Portrait Viewing)
Display Brightness	Typical	500 cd/m2
Display Contrast Ratio	Typical	1000:1
Display Viewing Direction		All – Full viewing
Display Backlighting		2x6 Parallel – 12 LED's
Pixel Pitch		0.1283 x 0.1283mm (Square pixels)
Pixel Density	Number of pixels in 1 row in 25.4mm	197 DPI/PPI

ORDERING INFORMATION	
Order Code:	
4Discovery-50	(Standard RS485, Non Wifi/Bluetooth)
4Discovery-50W	(Standard RS485, Wifi/Bluetooth enabled)
4Discovery-50-DB02	(RS232, UART, GPIO version, Non WiFi/Bluetooth)
4Discovery-50W-DB02	(RS232, UART, GPIO version, WiFi/Bluetooth enabled)
4Discovery-50 "Custom"	(Customer specific version, built to specification, contact sales)
Packaging: Module sealed in an antistatic foam padded 4D Systems box	

25. Hardware Revision History

Revision Number	Date	Description
< 2.1	Prior to 2020	Prototyping / Pre-Release / Testing versions
2.2	May 2020	Initial Public Release Version

26. Datasheet Revision History

Revision Number	Date	Description
1.0	27/03/2019	Initial Version
1.1	12/06/2020	Additional information for newer hardware revisions, more detail added on daughter boards and information in general
1.2	13/08/2020	Added some more information about DB01 standard configuration, Part Numbers, and Optional WiFi model
1.3	27/08/2020	Part numbers updated
1.4	27/01/2021	Updated Logo, and TURN pin typo from PA10 to PA14 in sections 13.2 and 13.3

27. Legal Notice

Proprietary Information

The information contained in this document is the property of 4D Systems Pty. Ltd. and may be the subject of patents pending or granted, and must not be copied or disclosed without prior written permission.

4D Systems endeavours to ensure that the information in this document is correct and fairly stated but does not accept liability for any error or omission. The development of 4D Systems products and services is continuous and published information may not be up to date. It is important to check the current position with 4D Systems. 4D Systems reserves the right to modify, update or make changes to Specifications or written material without prior notice at any time.

All trademarks belong to their respective owners and are recognised and acknowledged.

Disclaimer of Warranties & Limitation of Liability

4D Systems makes no warranty, either expressed or implied with respect to any product, and specifically disclaims all other warranties, including, without limitation, warranties for merchantability, non-infringement and fitness for any particular purpose.

Information contained in this publication regarding device applications and the like is provided only for your convenience and may be superseded by updates. It is your responsibility to ensure that your application meets with your specifications.

Images and graphics used throughout this document are for illustrative purposes only. All images and graphics used are possible to be displayed on the 4D Systems range of products, however the quality may vary.

In no event shall 4D Systems be liable to the buyer or to any third party for any indirect, incidental, special, consequential, punitive or exemplary damages (including without limitation lost profits, lost savings, or loss of business opportunity) arising out of or relating to any product or service provided or to be provided by 4D Systems, or the use or inability to use the same, even if 4D Systems has been advised of the possibility of such damages.

4D Systems products are not fault tolerant nor designed, manufactured or intended for use or resale as on line control equipment in hazardous environments requiring fail – safe performance, such as in the operation of nuclear facilities, aircraft navigation or communication systems, air traffic control, direct life support machines or weapons systems in which the failure of the product could lead directly to death, personal injury or severe physical or environmental damage ('High Risk Activities'). 4D Systems and its suppliers specifically disclaim any expressed or implied warranty of fitness for High Risk Activities.

Use of 4D Systems' products and devices in 'High Risk Activities' and in any other application is entirely at the buyer's risk, and the buyer agrees to defend, indemnify and hold harmless 4D Systems from any and all damages, claims, suits, or expenses resulting from such use. No licenses are conveyed, implicitly or otherwise, under any 4D Systems intellectual property rights.

28. Contact Information

For Technical Support: www.4dsystems.com.au/support

For Sales Support: sales@4dsystems.com.au

Website: www.4dsystems.com.au

Copyright 4D Systems Pty. Ltd. 2000-2021.

Mouser Electronics

Authorized Distributor

Click to View Pricing, Inventory, Delivery & Lifecycle Information:

4D Systems:

[4Discovery-50](#) [4Discovery-50W](#) [SK-4Discovery-50](#) [SK-4Discovery-50W](#)