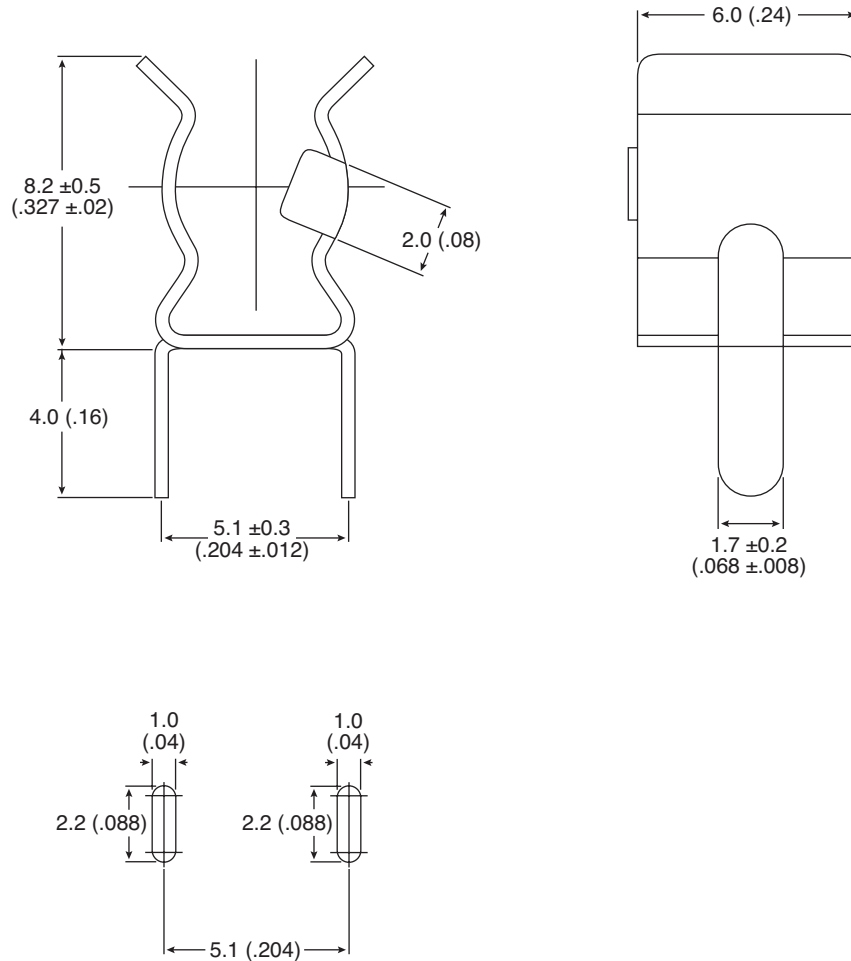


Date Last Revised: 3/14/05



DIMENSIONS: mm (In.)

SPECIFICATIONS	
Metal Material:	Phosphor Bronze
Material Thickness:	0.3 ± 0.03 ($.012 \pm .0012$)
Suitable rated current:	10A
Finish:	Bright Tin Plated
Type:	Ear Type

Available from Mouser Electronics
1-800-346-6873
www.mouser.com

EPD-200157

Mouser Electronics

Authorized Distributor

Click to View Pricing, Inventory, Delivery & Lifecycle Information:

[Eagle Plastic Devices:](#)

[441-EPD203LR](#)