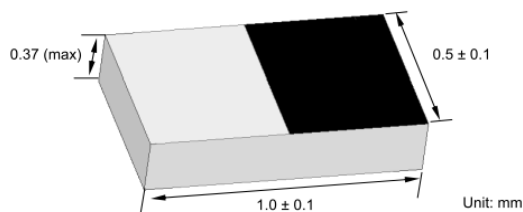


**Description: 1005 2.4G Chip Antenna**

**PART NUMBER: ANT1005LL14R2400A**

**Features:**

- Size : 1.0x0.5x0.37 mm
- Working Frequency : 2.4~2.5GHz
- Omni-directional Radiation
- Tape & reel automatic mounting
- Reflow process compatible
- RoHS compliant



**Applications:**

- 2.4GHz WiFi device
- Bluetooth gadget
- Zigbee device
- ISM band equipment

All dimensions are in mm / inches

In the effort to improve our products, we reserve the right to make changes judged to be necessary.

CONFIDENTIAL AND PROPRIETARY INFORMATION

This document contains confidential and proprietary information of Pulse Electronics, Inc. (Pulse) and is protected by copyright, trade secret and other state and federal laws. Its receipt or possession does not convey any rights to reproduce, disclose its contents, or to manufacture, use or sell anything it may describe. Reproduction, disclosure or use without specific written authorization of Pulse is strictly forbidden.

For more information:

Pulse Worldwide Headquarters  
15255 Innovation Drive #100  
San Diego, CA 92128  
USA  
Tel: 1-858-674-8100

Pulse/Larsen Antennas  
18110 SE 34<sup>th</sup> St Bldg 2 Suite 250  
Vancouver, WA 98683  
USA  
Tel: 1-360-944-7551

Europe Headquarters  
Pulse GmbH & Do, KG  
Zeppelinstrasse 15  
Herrenberg, Germany  
Tel: 49 7032 7806 0

Pulse (Suzhou) Wireless Products Co, Inc.  
99 Huo Ju Road(#29 Bldg,4<sup>th</sup> Phase  
Suzhou New District  
Jiangsu Province, Suzhou 215009 PR China  
Tel: 86 512 6807 9998



Description: 1005 2.4G Chip Antenna

PART NUMBER: ANT1005LL14R2400A

ELECTRICAL SPECIFICATIONS

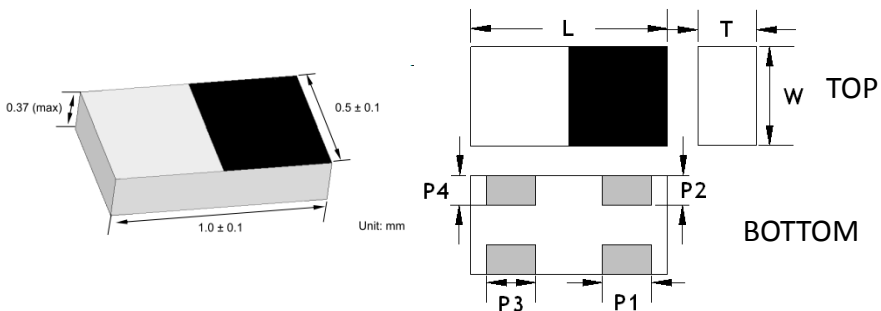
<b>Working Frequency</b>	2.4~2.484 GHz
<b>Bandwidth</b>	120 MHz(Typ.)
<b>VSWR</b>	3.0 Max
<b>Polarization</b>	Linear
<b>Azimuth Beamwidth</b>	Omni-directional
<b>Peak Gain</b>	2.21 dBi(Typ.)
<b>Impedance</b>	50 Ω
<b>Operating Temperature</b>	- 40~105 °C
<b>Maximum Power</b>	1 W
<b>Termination</b>	Ni / Sn (Environmentally-Friendly Leadless)
<b>Resistance to Soldering Heats</b>	260°C , 10sec.

NOTE

1. The specification is defined on Pulse evaluation board

MECHANICAL DRAWING

	Dimension
L (mm)	1.00 ±0.10
W (mm)	0.50 ±0.10
T (mm)	0.37(Max.)
P1(mm)	0.25 +0.10/-0.05
P2(mm)	0.15 +0.10/-0.05
P3(mm)	0.25 +0.10/-0.05
P4(mm)	0.15 +0.10/-0.05



Terminal name	Function
P1	Ground Point
P2	Ground Point
P3	Feeding Point
P4	Feeding Point

In the effort to improve our products, we reserve the right to make changes judged to be necessary.

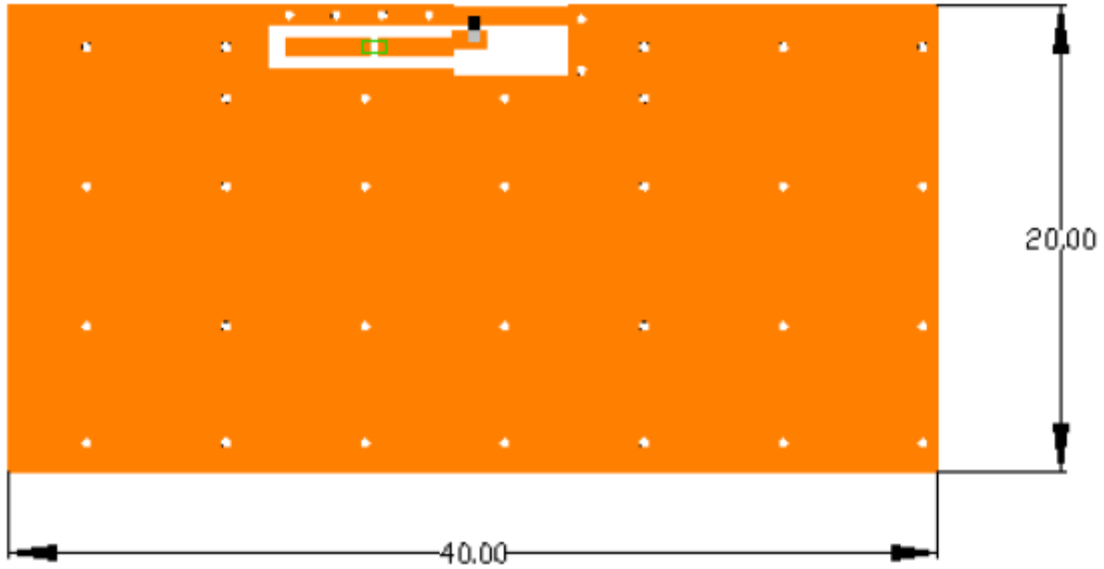
CONFIDENTIAL AND PROPRIETARY INFORMATION

This document contains confidential and proprietary information of Pulse Electronics, Inc. (Pulse) and is protected by copyright, trade secret and other state and federal laws. Its receipt or possession does not convey any rights to reproduce, disclose its contents, or to manufacture, use or sell anything it may describe. Reproduction, disclosure or use without specific written authorization of Pulse is strictly forbidden.

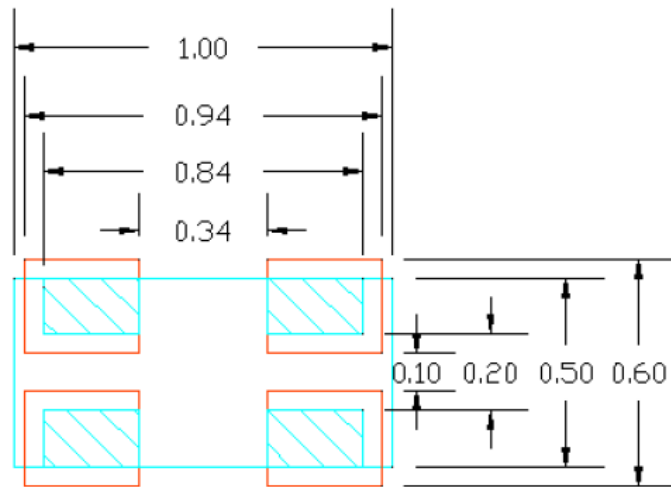
**Description:** 1005 2.4G Chip Antenna

**PART NUMBER:** ANT1005LL14R2400A

**REFERENCE DESIGN OF EVALUATION BOARD**



Outlook and dimension of evaluation board



Unit:mm

Footprint

- : Chip Antenna
- : Land Pattern

In the effort to improve our products, we reserve the right to make changes judged to be necessary.

CONFIDENTIAL AND PROPRIETARY INFORMATION

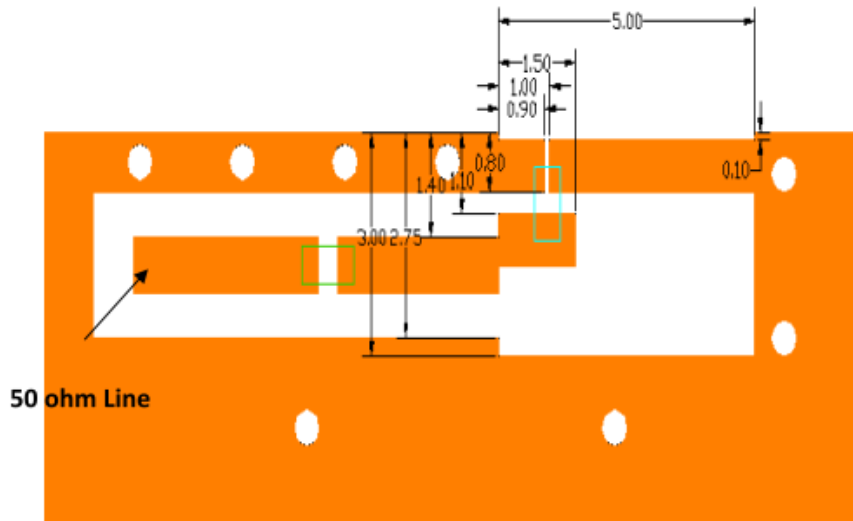
This document contains confidential and proprietary information of Pulse Electronics, Inc. (Pulse) and is protected by copyright, trade secret and other state and federal laws. Its receipt or possession does not convey any rights to reproduce, disclose its contents, or to manufacture, use or sell anything it may describe. Reproduction, disclosure or use without specific written authorization of Pulse is strictly forbidden.

**Description:** 1005 2.4G Chip Antenna

**PART NUMBER:** ANT1005LL14R2400A

**REFERENCE DESIGN OF EVALUATION BOARD**

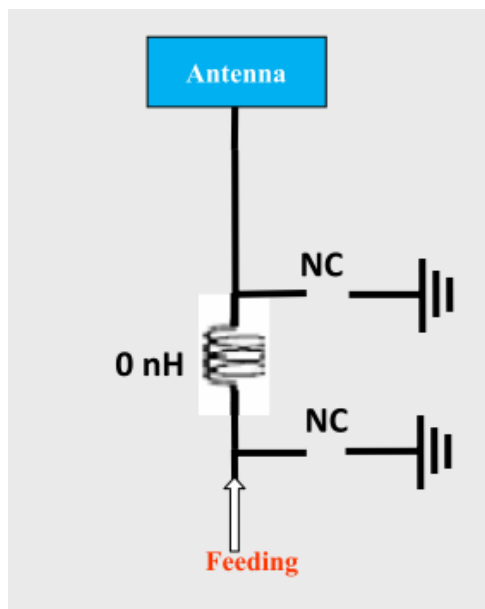
Clearance size: 5x 3mm



Unit : mm

- : Chip Antenna
- : L/C matching components
- : Land Pattern

Details of soldering Pad



In the effort to improve our products, we reserve the right to make changes judged to be necessary.

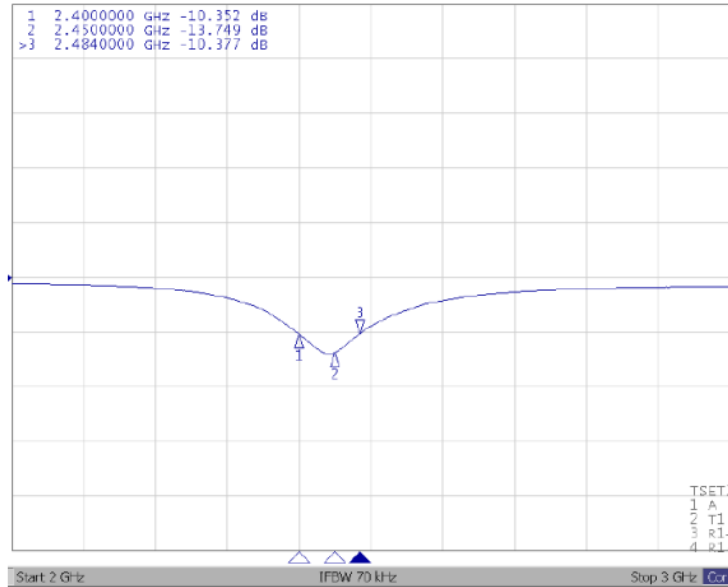
CONFIDENTIAL AND PROPRIETARY INFORMATION

This document contains confidential and proprietary information of Pulse Electronics, Inc. (Pulse) and is protected by copyright, trade secret and other state and federal laws. Its receipt or possession does not convey any rights to reproduce, disclose its contents, or to manufacture, use or sell anything it may describe. Reproduction, disclosure or use without specific written authorization of Pulse is strictly forbidden.

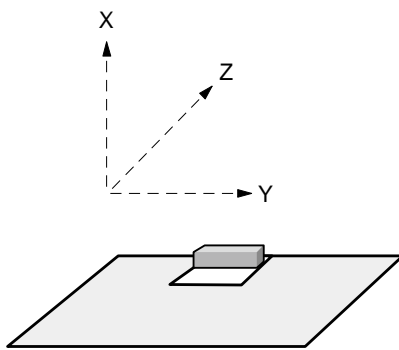
**Description: 1005 2.4G Chip Antenna**

**PART NUMBER: ANT1005LL14R2400A**

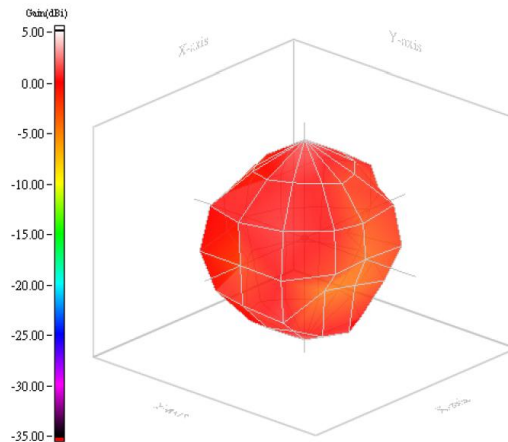
**ELECTRICAL PERFORMANCES**



Return loss



Evaluation board and XYZ direction



Radiation pattern

Max Gain = 2.21dBi  
Efficiency = 70.3%

In the effort to improve our products, we reserve the right to make changes judged to be necessary.

CONFIDENTIAL AND PROPRIETARY INFORMATION

This document contains confidential and proprietary information of Pulse Electronics, Inc. (Pulse) and is protected by copyright, trade secret and other state and federal laws.

Its receipt or possession does not convey any rights to reproduce, disclose its contents, or to manufacture, use or sell anything it may describe. Reproduction, disclosure or use without specific written authorization of Pulse is strictly forbidden.

**Description:** 1005 2.4G Chip Antenna

**PART NUMBER:** ANT1005LL14R2400A

### REVISION HISTORY

Revision	Date	Description
Version 1	Oct. 13, 2020	- New issue

In the effort to improve our products, we reserve the right to make changes judged to be necessary.

CONFIDENTIAL AND PROPRIETARY INFORMATION

This document contains confidential and proprietary information of Pulse Electronics, Inc. (Pulse) and is protected by copyright, trade secret and other state and federal laws. Its receipt or possession does not convey any rights to reproduce, disclose its contents, or to manufacture, use or sell anything it may describe. Reproduction, disclosure or use without specific written authorization of Pulse is strictly forbidden.

# Mouser Electronics

Authorized Distributor

Click to View Pricing, Inventory, Delivery & Lifecycle Information:

Pulse:

[ANT1005LL14R2400A](#)