

# DATA SHEET

## TRANSIENT VOLTAGE SUPPRESSORS

### AC/DC POWER SUPPLY

20KPA series

RoHS compliant & Halogen free



Product specification— February 21, 2021 V.2



## Transient Voltage Suppressors (TVS) Data Sheet

### Features

- Glass passivated junction
- Low inductance
- Excellent clamping capability
- 20000W peak pulse power capability at 10/1000 $\mu$ s waveform, repetition rate (duty cycle): 0.05%
- Fast response time
- Typical  $I_R$  less than 2 $\mu$ A above 40V.
- High Temperature soldering guaranteed: 265 $^{\circ}$ C/10 seconds/.375", (9.5mm) lead length, 5lbs (2.3kg) tension
- Plastic package has underwriters laboratory flammability 94V-0
- Meets MSL level 1, per J-STD-020
- Safety certification: UL: E244458
- IEC61000-4-2 ESD 30KV Air, 30KV contact compliance



### Mechanical Data

- Case: Moulded plastic over glass passivated junction
- Terminal: Plated Axial leads, solderable per MIL-STD-750, Method 2026
- Polarity: Color band denotes cathode except bi-directional models
- Mounting Position: Any
- Weight: 2.40g

### Applications

- I/O interface
- AC/DC power supply
- Low frequency signal transmission line (RS232, RS485, etc.)

### Maximum Ratings and Characteristics

Ratings at 25 $^{\circ}$ C ambient temperature unless otherwise specified.

| Rating  | Symbol          | Value            | Units          |
|---|-----------------|------------------|----------------|
| Peak pulse power dissipation at 10/1000 $\mu$ s waveform (Note1, Fig.1)   | $P_{PPM}$       | Minimum<br>20000 | Watts          |
| Peak pulse current of at 10/1000 $\mu$ s waveform (Note 1, Fig.3)   | $I_{PPM}$       | See Table        | Amps           |
| Steady state power dissipation at $T_L=75^{\circ}$ C (Fig.5)  | $P_{M(AV)}$     | 8.0              | Watts          |
| Peak forward surge current, 8.3ms single half sine-wave superimposed on rated load, (JEDEC Method) (Note2, Fig.6) | $I_{FSM}$       | 400              | Amps           |
| Operating junction and Storage Temperature Range.   | $T_J, T_{STG}$  | -55 to +150      | $^{\circ}$ C   |
| Typical thermal resistance junction to lead   | $R_{\theta JL}$ | 8                | $^{\circ}$ C/W |
| Typical thermal resistance junction to ambient  | $R_{\theta JA}$ | 40               | $^{\circ}$ C/W |

Notes: 1. Non-repetitive current pulse, per Fig.3 and derated above  $T_A=25^{\circ}$ C per Fig.2.

2. 8.3ms single half sine-wave, or equivalent square wave, duty cycle=4 pulses per minutes maximum.

**Dimensions (P600)**

|   | Symbol | Millimeters |       | Inches |       |
|---|--------|-------------|-------|--------|-------|
|   |        | Min.        | Max.  | Min.   | Max.  |
|   | L      | 25.40       | -     | 1.000  | -     |
|   | T      | 8.60        | 9.10  | 0.340  | 0.360 |
|   | d      | 8.60        | 9.10  | 0.340  | 0.360 |
| s | 1.19   | 1.32        | 0.047 | 0.052  |       |

**Electrical Characteristics (T<sub>A</sub>=25°C)**

| Part Number    |               | Reverse Stand-Off Voltage | Breakdown Voltage @I <sub>T</sub> | Test Current        | Maximum Clamping Voltage @I <sub>PP</sub> | Peak Pulse Current  | Reverse Leakage @V <sub>RWM</sub> |
|----------------|---------------|---------------------------|-----------------------------------|---------------------|---|---------------------|-----------------------------------|
| Unidirectional | Bidirectional | V <sub>RWM</sub> (V)      | V <sub>BR</sub> (V)               | I <sub>T</sub> (mA) | V <sub>C</sub> (V)                        | I <sub>PP</sub> (A) | I <sub>R</sub> (μA)               |
| 20KPA20A       | 20KPA20CA     | 20.0                      | 22.34~24.94                       | 50                  | 36.8                                      | 548.9               | 5000                              |
| 20KPA24A       | 20KPA24CA     | 24.0                      | 26.81~29.93                       | 50                  | 41.2                                      | 490.3               | 5000                              |
| 20KPA26A       | 20KPA26CA     | 26.0                      | 29.04~32.42                       | 50                  | 44.7                                      | 451.9               | 2000                              |
| 20KPA28A       | 20KPA28CA     | 28.0                      | 31.28~34.92                       | 50                  | 48.0                                      | 420.8               | 1000                              |
| 20KPA30A       | 20KPA30CA     | 30.0                      | 33.51~37.41                       | 5                   | 51.5                                      | 392.2               | 250                               |
| 20KPA32A       | 20KPA32CA     | 32.0                      | 35.74~39.90                       | 5                   | 54.3                                      | 372.0               | 150                               |
| 20KPA34A       | 20KPA34CA     | 34.0                      | 38.00~42.42                       | 5                   | 57.5                                      | 351.3               | 50                                |
| 20KPA36A       | 20KPA36CA     | 36.0                      | 40.20~44.88                       | 5                   | 61.5                                      | 328.5               | 20                                |
| 20KPA40A       | 20KPA40CA     | 40.0                      | 44.70~49.90                       | 5                   | 67.8                                      | 297.9               | 15                                |
| 20KPA44A       | 20KPA44CA     | 44.0                      | 49.10~54.81                       | 5                   | 72.7                                      | 277.9               | 2                                 |
| 20KPA48A       | 20KPA48CA     | 48.0                      | 53.60~59.83                       | 5                   | 79.4                                      | 254.4               | 2                                 |
| 20KPA52A       | 20KPA52CA     | 52.0                      | 58.10~64.86                       | 5                   | 85.8                                      | 235.4               | 2                                 |
| 20KPA56A       | 20KPA56CA     | 56.0                      | 62.60~69.88                       | 5                   | 92.6                                      | 218.1               | 2                                 |
| 20KPA60A       | 20KPA60CA     | 60.0                      | 67.00~74.79                       | 5                   | 97.6                                      | 207.0               | 2                                 |
| 20KPA64A       | 20KPA64CA     | 64.0                      | 71.50~79.82                       | 5                   | 104.0                                     | 194.2               | 2                                 |
| 20KPA68A       | 20KPA68CA     | 68.0                      | 76.00~84.84                       | 5                   | 110.0                                     | 183.6               | 2                                 |
| 20KPA72A       | 20KPA72CA     | 72.0                      | 80.40~89.75                       | 5                   | 116.0                                     | 174.1               | 2                                 |
| 20KPA80A       | 20KPA80CA     | 80.0                      | 89.40~99.80                       | 5                   | 130.0                                     | 155.4               | 2                                 |
| 20KPA88A       | 20KPA88CA     | 88.0                      | 98.30~109.73                      | 5                   | 142.0                                     | 142.3               | 2                                 |
| 20KPA96A       | 20KPA96CA     | 96.0                      | 107.20~119.67                     | 5                   | 155.0                                     | 130.3               | 2                                 |
| 20KPA104A      | 20KPA104CA    | 104.0                     | 116.20~129.72                     | 5                   | 168.0                                     | 120.2               | 2                                 |
| 20KPA112A      | 20KPA112CA    | 112.0                     | 125.10~139.65                     | 5                   | 182.0                                     | 111.0               | 2                                 |
| 20KPA120A      | 20KPA120CA    | 120.0                     | 134.00~149.59                     | 5                   | 194.0                                     | 104.1               | 2                                 |

**Transient Voltage Suppressors** 20KPA

| Part Number    |               | Reverse Stand-Off Voltage | Breakdown Voltage @ $I_T$ | Test Current | Maximum Clamping Voltage @ $I_{PP}$ | Peak Pulse Current | Reverse Leakage @ $V_{RWM}$ |
|----------------|---------------|---------------------------|---------------------------|--------------|-------------------------------------|--------------------|-----------------------------|
| Unidirectional | Bidirectional | $V_{RWM}(V)$              | $V_{BR}(V)$               | $I_T(mA)$    | $V_C(V)$                            | $I_{PP}(A)$        | $I_R(\mu A)$                |
| 20KPA132A      | 20KPA132CA    | 132.0                     | 147.40~164.54             | 5            | 213.0                               | 94.8               | 2                           |
| 20KPA144A      | 20KPA144CA    | 144.0                     | 160.80~179.50             | 5            | 232.0                               | 87.1               | 2                           |
| 20KPA160A      | 20KPA160CA    | 160.0                     | 178.70~199.49             | 5            | 258.0                               | 78.3               | 2                           |
| 20KPA172A      | 20KPA172CA    | 172.0                     | 192.10~214.44             | 5            | 277.0                               | 72.9               | 2                           |
| 20KPA180A      | 20KPA180CA    | 180.0                     | 201.10~224.49             | 5            | 291.0                               | 69.4               | 2                           |
| 20KPA192A      | 20KPA192CA    | 192.0                     | 214.50~239.45             | 5            | 309.0                               | 65.4               | 2                           |
| 20KPA204A      | 20KPA204CA    | 204.0                     | 227.90~254.41             | 5            | 329.0                               | 61.4               | 2                           |
| 20KPA216A      | 20KPA216CA    | 216.0                     | 241.30~269.37             | 5            | 348.0                               | 58.0               | 2                           |
| 20KPA232A      | 20KPA232CA    | 232.0                     | 259.10~289.24             | 5            | 374.0                               | 54.0               | 2                           |
| 20KPA240A      | 20KPA240CA    | 240.0                     | 268.10~299.28             | 5            | 387.0                               | 52.2               | 2                           |
| 20KPA256A      | 20KPA256CA    | 256.0                     | 286.00~319.27             | 5            | 412.0                               | 49.0               | 2                           |
| 20KPA280A      | 20KPA280CA    | 280.0                     | 312.80~349.18             | 5            | 451.0                               | 44.8               | 2                           |
| 20KPA300A      | 20KPA300CA    | 300.0                     | 335.10~374.08             | 5            | 483.0                               | 41.8               | 2                           |

Ratings and Characteristic Curves ( $T_A=25^\circ\text{C}$  unless otherwise noted)

Figure 1. Peak Pulse Power Rating Curve

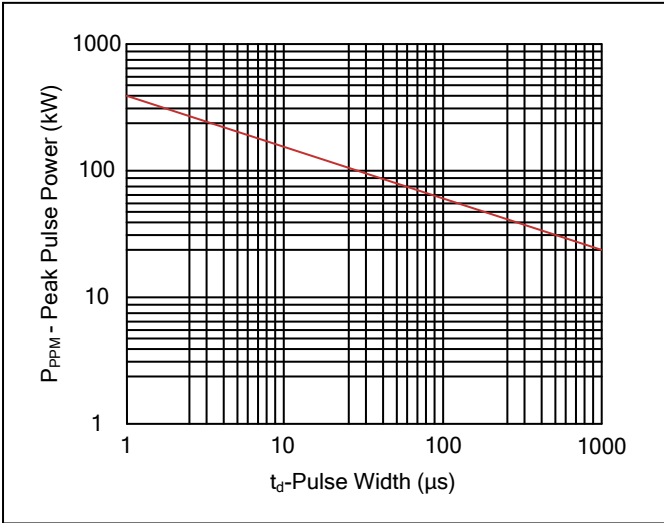


Figure 2. Pulse Derating Curve

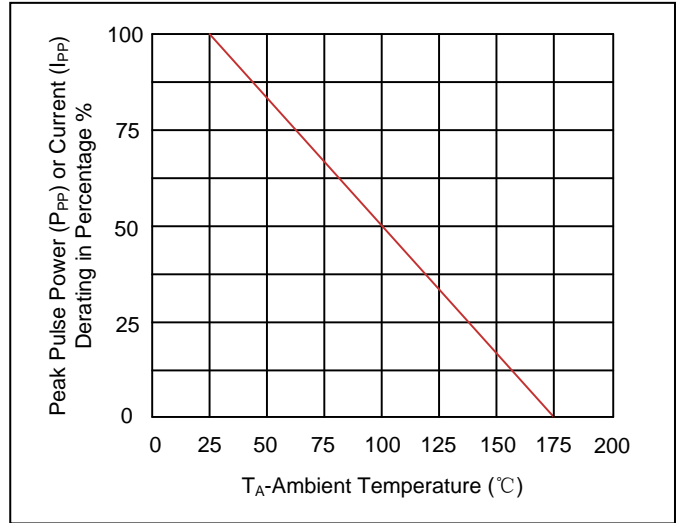


Figure 3. Pulse Waveform

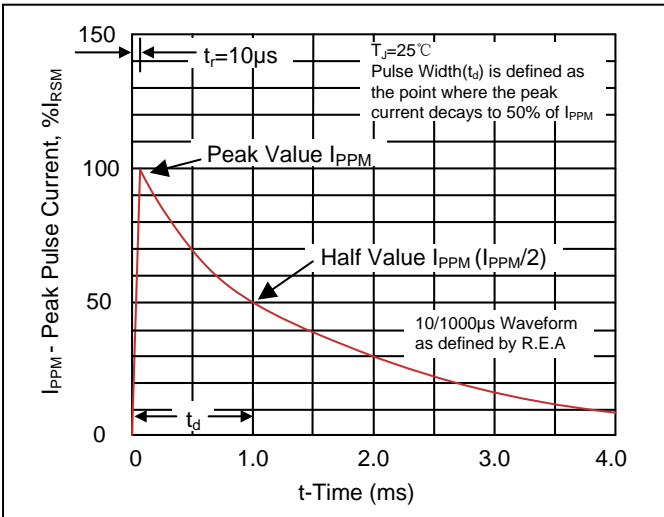


Figure 4. AC Line Protection Application

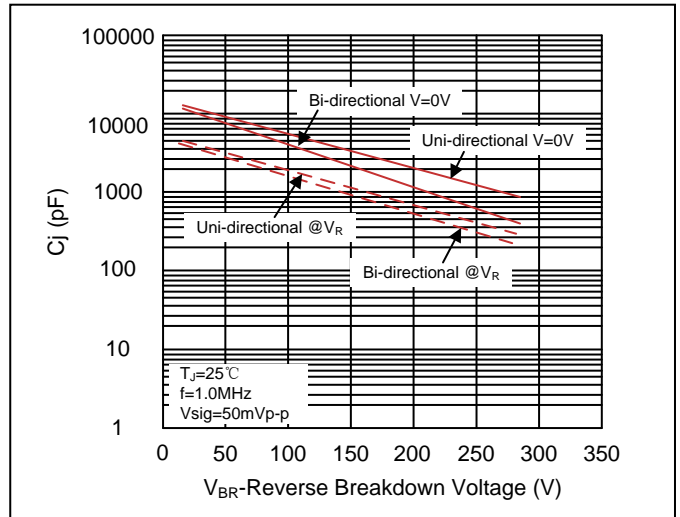


Figure 5. Steady State Power Dissipation Derating Curve

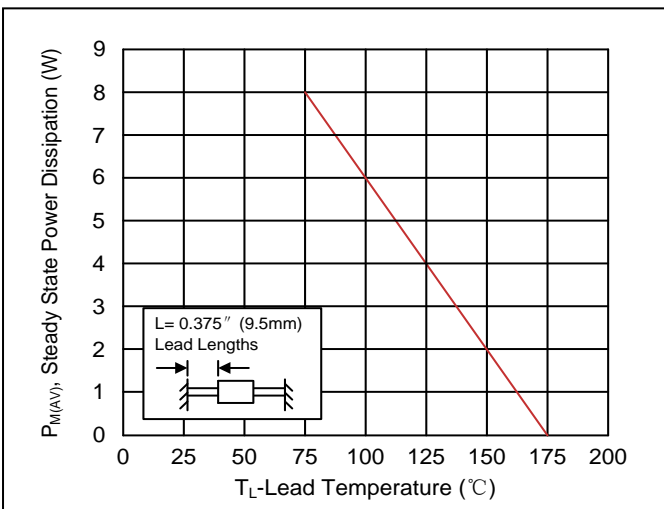
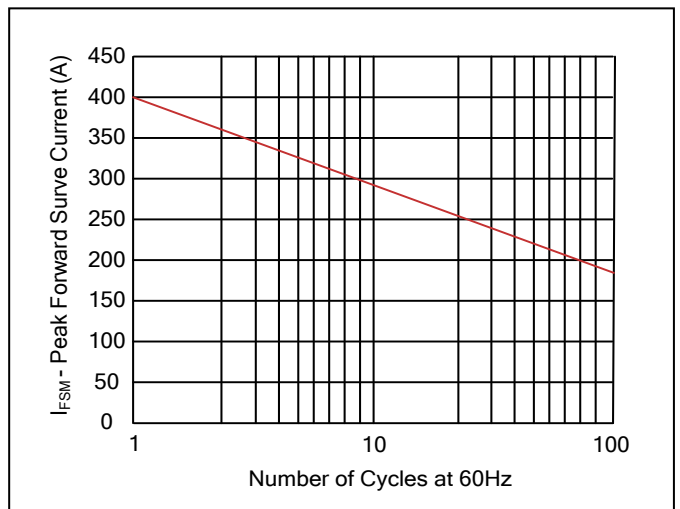
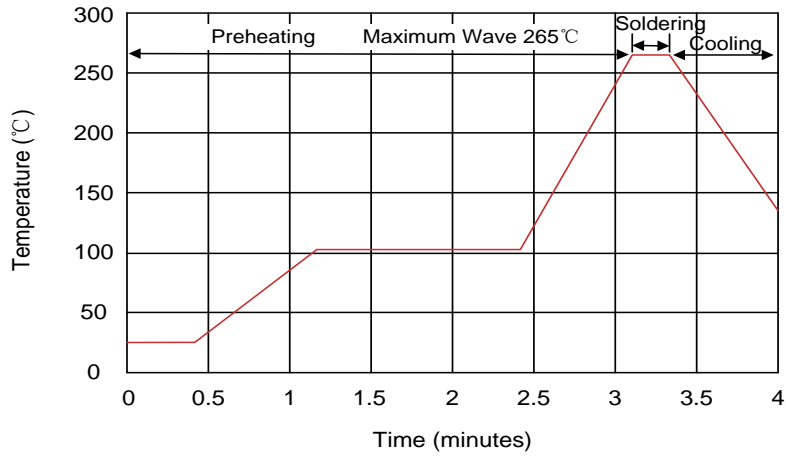


Figure 6. Maximum Non-Repetitive Forward Surge Current Uni-Directional Only



**Recommended Soldering Conditions**

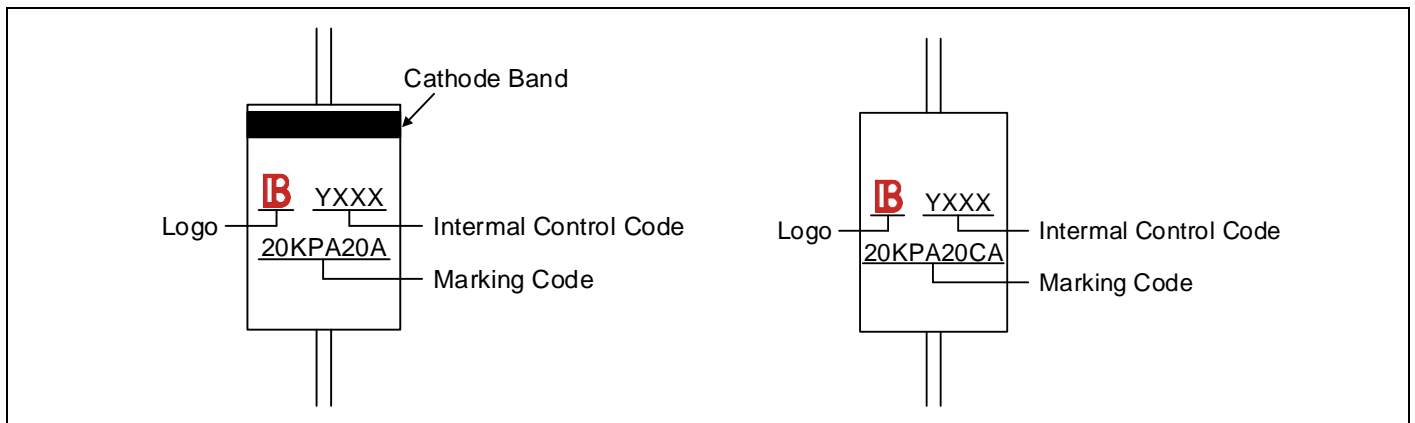
Wave Soldering



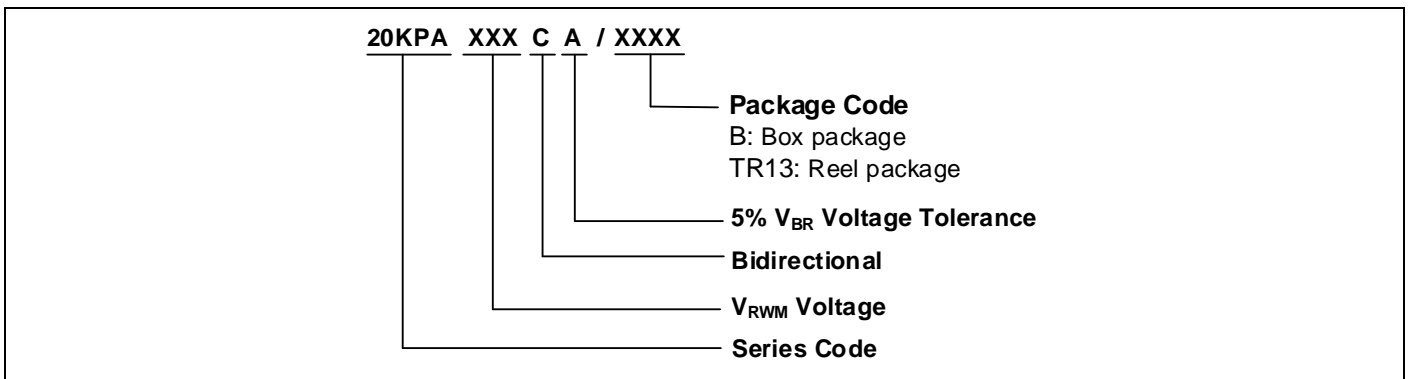
Recommended Conditions

| Item             | Conditions |
|------------------|------------|
| Peak Temperature | 265°C      |
| Dipping Time     | 10 seconds |
| Soldering        | 1 time     |

**Marking Code**



**Part Number Code**

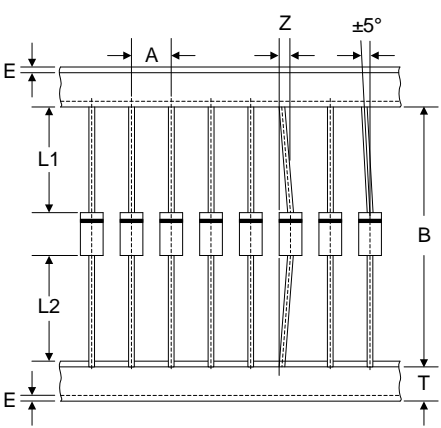
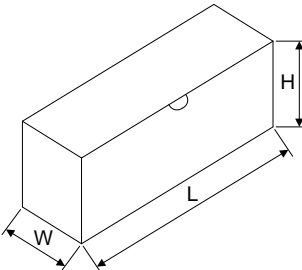
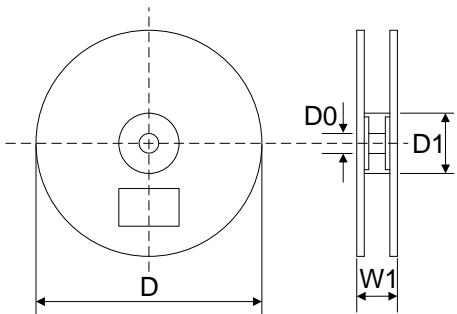


**Ordering Code for Different Package**

Box package: Add suffix "/B" at the end of the part number, such as 20KPAXXXCA/B

Reel package: Add suffix "/TR13" at the end of the part number, such as 20KPAXXXCA/TR13

**Packaging**

| Tape  | Symbol Dimension (mm)  |           |
|---|--|-----------|
|    | A  | 10.0±0.5  |
|   | B  | 53.0±1.0  |
|   | Z  | 1.2Max.   |
|   | T  | 6.0±0.4   |
|   | E  | 0.8Max.   |
|   | L1-L2  | 1.0Max.   |
|   |  | L         |
| W   |  | 75.0±5.0  |
| H   |  | 114.0±5.0 |
| Quantity: 300PCS  |  |           |
|  | D  | 330.0±3.0 |
|   | D0   | 16.4±2.0  |
|   | D1   | 86.0±2.0  |
|   | W1   | 76.0±3.0  |
|   | Quantity: 800PCS   |           |

# Mouser Electronics

Authorized Distributor

Click to View Pricing, Inventory, Delivery & Lifecycle Information:

## YAGEO:

[20KPA300CA/B](#) [20KPA56CA/B](#) [20KPA232A/B](#) [20KPA120CA/B](#) [20KPA68CA/B](#) [20KPA30A/B](#) [20KPA30CA/B](#)  
[20KPA52A/B](#) [20KPA256A/TR13](#) [20KPA160A/TR13](#) [20KPA44A/B](#) [20KPA30CA/TR13](#) [20KPA104CA/B](#)  
[20KPA26CA/B](#) [20KPA144A/TR13](#) [20KPA172CA/B](#) [20KPA24A/TR13](#) [20KPA96CA/TR13](#) [20KPA256A/B](#)  
[20KPA300A/TR13](#) [20KPA232CA/B](#) [20KPA80CA/B](#) [20KPA36A/B](#) [20KPA232CA/TR13](#) [20KPA112CA/TR13](#)  
[20KPA34CA/B](#) [20KPA120A/B](#) [20KPA68A/TR13](#) [20KPA26CA/TR13](#) [20KPA232A/TR13](#) [20KPA20A/TR13](#)  
[20KPA280A/B](#) [20KPA20A/B](#) [20KPA32A/TR13](#) [20KPA20CA/B](#) [20KPA104A/B](#) [20KPA64CA/TR13](#) [20KPA204A/TR13](#)  
[20KPA160CA/TR13](#) [20KPA20CA/TR13](#) [20KPA48CA/B](#) [20KPA34A/TR13](#) [20KPA64A/B](#) [20KPA172A/TR13](#)  
[20KPA72A/TR13](#) [20KPA52A/TR13](#) [20KPA216CA/B](#) [20KPA112A/TR13](#) [20KPA44CA/TR13](#) [20KPA34CA/TR13](#)  
[20KPA280A/TR13](#) [20KPA160CA/B](#) [20KPA56A/B](#) [20KPA104CA/TR13](#) [20KPA132CA/B](#) [20KPA240CA/B](#)  
[20KPA88A/TR13](#) [20KPA28CA/B](#) [20KPA160A/B](#) [20KPA120CA/TR13](#) [20KPA36CA/B](#) [20KPA112CA/B](#)  
[20KPA32CA/TR13](#) [20KPA256CA/B](#) [20KPA180A/TR13](#) [20KPA256CA/TR13](#) [20KPA36A/TR13](#) [20KPA26A/TR13](#)  
[20KPA48A/TR13](#) [20KPA34A/B](#) [20KPA280CA/TR13](#) [20KPA60A/TR13](#) [20KPA48CA/TR13](#) [20KPA32CA/B](#)  
[20KPA216A/TR13](#) [20KPA52CA/B](#) [20KPA40A/TR13](#) [20KPA192CA/B](#) [20KPA180A/B](#) [20KPA24A/B](#)  
[20KPA180CA/TR13](#) [20KPA172CA/TR13](#) [20KPA72CA/B](#) [20KPA80A/TR13](#) [20KPA28A/TR13](#) [20KPA132A/TR13](#)  
[20KPA240A/TR13](#) [20KPA52CA/TR13](#) [20KPA56CA/TR13](#) [20KPA280CA/B](#) [20KPA180CA/B](#) [20KPA40CA/TR13](#)  
[20KPA56A/TR13](#) [20KPA60CA/TR13](#) [20KPA36CA/TR13](#) [20KPA112A/B](#) [20KPA132CA/TR13](#) [20KPA300A/B](#)  
[20KPA104A/TR13](#) [20KPA60A/B](#)