

C87.0 Series CAPACITORS FOR MOTOR APPLICATIONS

Typical applications: the capacitor is used in series to the auxiliary winding of a single-phase motor, allowing it to start and increase its torque while working.
 Main application fields: low power electric motors, compressors.

Vendor part number: **C870ZF35500AA0J**

Capacitance:	50µF	Rated current:	7.38 Arms
Capacitance tolerance:	± 5 %	Max. dV/dt:	15 V/µs
Class of operation:	CLASS B-10.000 hours, 420Vac/25/085/21 CLASS C-3.000 hours, 470Vac/25/085/21	Can diameter:	45 mm.
		Can height:	133 mm.

General technical data

Reference standards:	EN 60252-1: 2011/A1:2013	Filling Resin:	Semi-liquid Polyurethane
Approvals:	EN 60252-1: VDE UL810 R/C - Vmax 500V -10000AFC -25/70°C	Plates:	Self-healing metal layer
Type of Service:	Continuous	Test voltage terminal-terminal:	2 Vn for 2 s
Operating Temperature:	- 25 / +85 °C	Test voltage terminal-can:	2.000 Volt for 2 s
Storage Temperature:	- 25 / +85 °C	Total Harmonic Distortion:	Up to 10%
Rated voltage Vn (AC):	470 Vac	Fire Load:	40 MJ/kg
Rated frequency (Hz):	50-60Hz	Leakage-Clearance in air between parts under voltage	Min. 5mm
Voltage rise/fall time(max):	15 V / µsec	Leakage-Clearance in air between parts under voltage and accessible metal parts:	Min. 6mm
Maximum Permissible Voltage:	1.10 x Rated Voltage	Vibration test:	IEC 60068-2-6
Maximum Permissible Current:	1.30 x Rated Current	Deck:	Plastic deck with self-extinguishing features V0 according to UL94
Dissipation factor, TgD:	46 x 10E-4 at 20°C, 1k Hz	Terminals:	GWT/GWFI/GWIT compliant to IEC60335-1 ed.4 par.30 6.3 x 0.8 mm. Fast-on terminals
Safety class:	S2	Nut:	M8 Zn coated steel UNI5589 - DIN 936
Maximum Altitude:	No power derating applicable up to an altitude of 2200 meters. At higher altitudes than 2200 meters, please contact us for the Power derating	Washer:	ø 8.4 mm. Zn coated steel DIN 6798

ARCOTRONICS C.87.0ZF3 MKP 50
 420V~10000h/Class B
 470V~3000h/Class C
 EN60252-1 25/085/21
 250VAC 60Hz -25..70°C
 PROTECTED 10000AFC c22.2no.190 Tamb=46°C
 NO PCBs 50/60Hz SH PU RESIN
 B H7 15BA 10:44

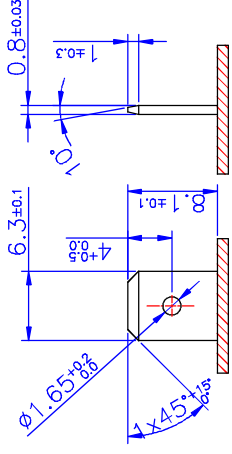
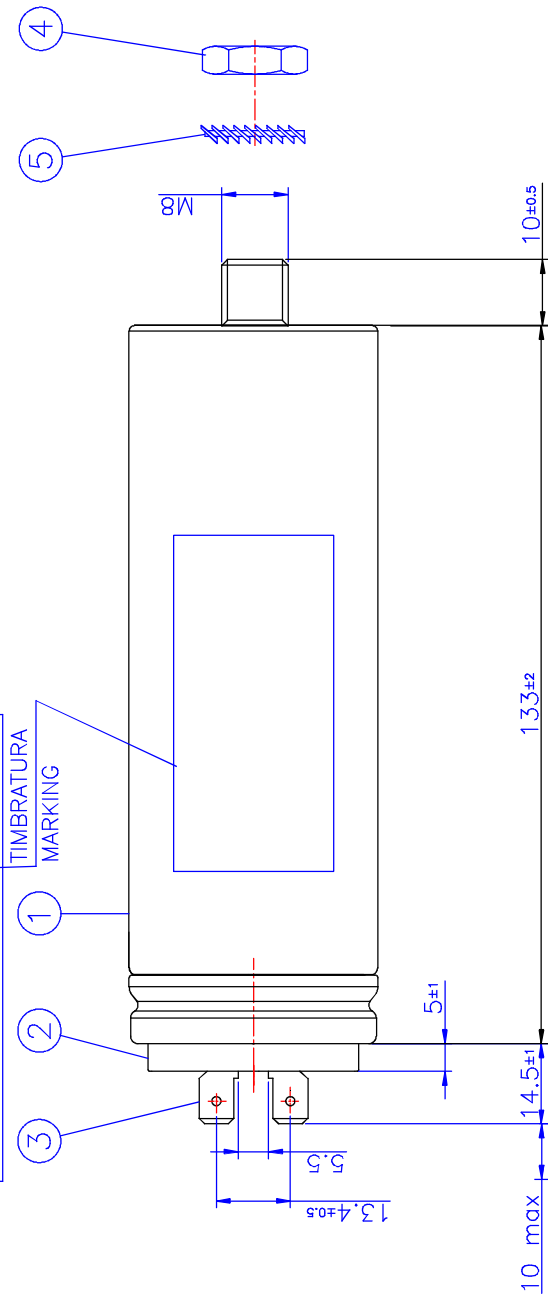
CE

VE D.E.

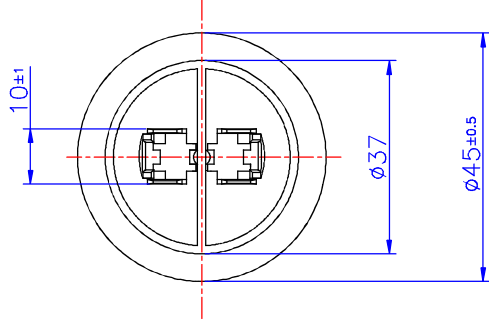
ESEMPIO CODIFICA DATI DI IDENTIFICAZIONE NELLA TIMBRATURA
 EXAMPLE OF IDENTIFICATION DIGIT IN THE MARKING

STABILIMENTO PLANT: B
 ANNO YEAR: L
 MESE MONTH: 6
 GIORNO DAY: 18
 LINEA PRODUCTION LINE: BA
 TIME HOUR: 10
 MINUTE: 44

TIMBRATURA MARKING



PARTICOLARE FASTON
 FASTON DETAILS

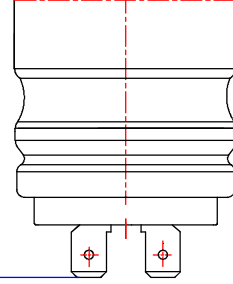


5	RONDELLA A 8.4 ACC. ZN. DIN 6798 WASHER A 8.4 DIN 6798 WHITE STEEL ZN.
4	DADO M8 ACC. ZN. UNI 5589 DIN 936 NUT M8 UNI 5589 DIN 936 WHITE STEEL ZN.
3	FASTON TERMINALS FASTON TERMINALS
2	DISCHETTO IN PA 66 AUTOSTIVO COLORE BEIGE DECK SELFHEATING V0 PA 66 COLOUR BEIGE
1	CUSTODIA METALLICA SENZA CODOLO IN ALLUMINIO 99.5 NORME ALUMINIUM 99.5 CAN WITHOUT BOLT
Pos.	MATERIALE
Note	Ds870170 - Filcap
ARCOTRONICS ARCOTRONICS ITALIA SPA DIVISIONE CONDENSATORI VERGATO-BO-ITALY	
PROGETTISTA : S.Milosheva	
SCALA 1:1 INDICATION ONLY	

Q.I. CONDENSATORE SERIE C.87.0 FAST.DOPPIO 6.3x0.8 CON CODOLO IN ALL.
 OVERALL DIMENSIONS CAP. C.87.0 SERIES DOUBLE FAST. EXEC. 6.3x0.8 WITH ALUMINIUM BOLT

C870ZF35500AA0J

INGOMBRO PER DISPOSITIVO DI ANTISCOPPIO
 SAFETY DEVICE DIMENSION



1ST EDITION - DATE 18/06/19
 REVISION - DATE --/--/--

FILE : C870ZF35500AA0J_DS_190618

CRITICAL DIMENSIONS
 IMPORTANT DIMENSIONS

General Disclaimer

All product specifications, statements, information and data given herein are believed to be accurate and reliable, but are presented without guarantee, warranty, or responsibility of any kind, expressed or implied. Statements of suitability for certain applications are based on our knowledge of typical operating conditions for such applications, but are not intended to constitute – and we specifically disclaim – any warranty concerning suitability for a specific customer application or use. This Information is intended for use only by customers who have the requisite experience and capability to determine the correct products for their application.

Prototype Sample Disclaimer

All The Customer acknowledges the following limitations of the prototype samples:

- (1) Prototype samples are manufactured from preliminary designs and manufacturing processes; may not represent final designs; have not been released for commercial use and are not subject to the same quality control procedures applicable to released products.
- (2) Prototype samples are not qualified parts and are provided "as-is" by KEMET Electronics Corporation, which specifically disclaims any and all warranties and guarantees, explicit or implied, including, without limitation, the warranties of merchantability and fitness for a particular purpose or use.
- (3) Prototype samples are not intended for commercial use; are provided for engineering evaluation only and are not recommended for use in the Customer's production line. (4) The Customer assumes the risk of any and all uses that the Customer makes of the prototype samples.

Data sheet edition

The present data sheet replaces and supersedes any former one released by KEMET.

KEMET's product warranty is set forth at www.kemet.com under Terms and Conditions of Sale.

COPYRIGHT KEMET ELECTRONICS CORPORATION 2019, all rights reserved.

Mouser Electronics

Authorized Distributor

Click to View Pricing, Inventory, Delivery & Lifecycle Information:

[KEMET:](#)

[C870ZF35500AA0J](#)