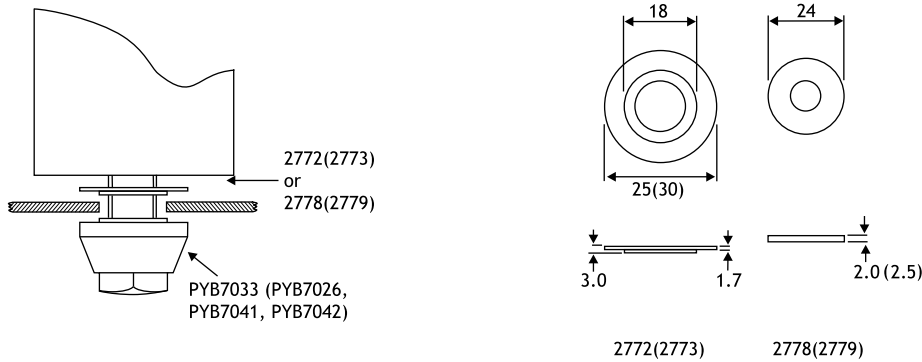


# Hardware & Resistors for Aluminum Electrolytics (M8 & M12 Stud)

## Insulated Version - Dimensions in mm

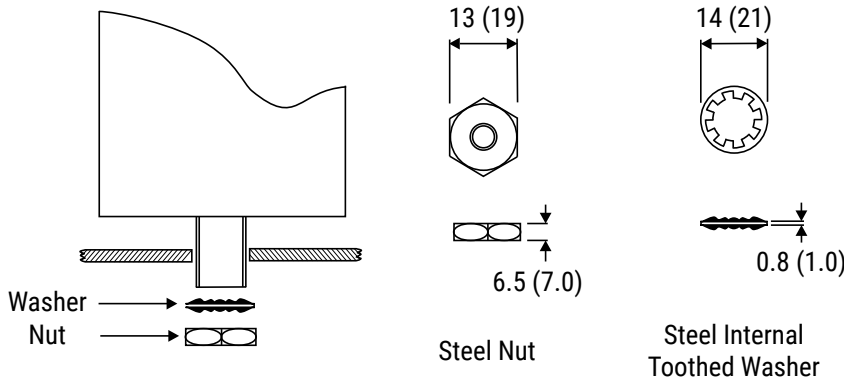
### M8 Stud (M12 Stud)



All of the above accessories may be ordered individually using the part number shown or as kits using the kit part numbers shown in the Kit Contents and Ordering Information.

| Part Code | Size       | Description         | Kit Part Number |      |
|-----------|------------|---------------------|-----------------|------|
|           |            |                     | 2740            | 2741 |
| 2772      | M8         | Stepped poly washer | •               |      |
| 2773      | M12        | Stepped poly washer |                 | •    |
| 2778      | M8         | Plain poly washer   | •               |      |
| 2779      | M12        | Plain poly washer   |                 | •    |
| PYB7033   | M8 x 1.5   | Nylon nut           | •               |      |
| PYB7026   | M12 x 1.75 | Nylon nut           |                 | •    |
| PYB7041   | M12 x 1.75 | Nylon nut           | Sold Separately |      |
| PYB7042   | M12 x 1.75 | Nylon nut           | Sold Separately |      |

**Non-Insulated Version - Dimensions in mm**  
**M8 Stud (M12 Stud)**

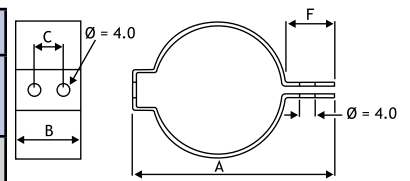


All of the above accessories may be ordered individually using the part number shown or as kits using the kit part numbers shown in the Kit Contents and Ordering Information.

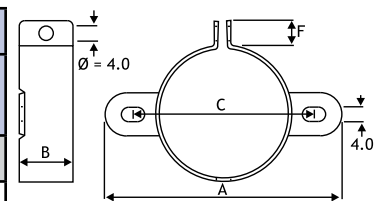
| Part Code | Size       | Description                   | Kit Part Number |      |
|-----------|------------|-------------------------------|-----------------|------|
|           |            |                               | 2782            | 2785 |
| 2352      | M8         | Steel External Toothed Washer | •               |      |
| 2353      | M12        | Steel Internal Toothed Washer |                 | •    |
| 2788      | M12 x 1.75 | Steel nut                     |                 | •    |
| 2789      | M8 x 1.5   | Steel nut                     | •               |      |

**Clamps – Millimeters (Material – Zinc Plated Steel)**

| Horizontal Mounting |              |      |      |      |      |
|---------------------|--------------|------|------|------|------|
| Type                | Can Diameter | A    | B    | C    | F    |
|                     | Tolerance    | ±1.0 | ±0.3 | ±0.5 | ±0.5 |
| H1                  | 25.0         | 40.0 | 22.5 | 12.7 | 10.0 |
| H2                  | 35.0 – 36.0  | 52.0 | 22.5 | 12.7 | 10.0 |

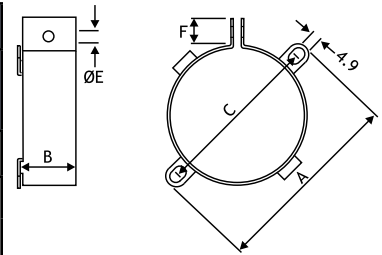


| Vertical Mounting |              |      |      |      |      |
|-------------------|--------------|------|------|------|------|
| Type              | Can Diameter | A    | B    | C    | F    |
|                   | Tolerance    | ±1.0 | ±0.3 | ±0.5 | ±0.5 |
| V2                | 25.0         | 49.0 | 19.0 | 37.0 | 10.0 |
| V3                | 35.0 – 36.0  | 58.5 | 19.0 | 46.5 | 10.0 |
| V9                | 40.0         | 65.0 | 19.0 | 52.0 | 9.0  |



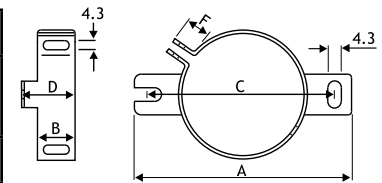
## Clamps – Millimeters (Material – Zinc Plated Steel) cont.

| Vertical Mounting |              |      |      |      |      |      |
|-------------------|--------------|------|------|------|------|------|
| Type              | Can Diameter | A    | B    | C    | E    | F    |
|                   | Tolerance    | ±1.0 | ±0.3 | ±0.5 | ±0.5 | ±0.5 |
| V4                | 50.0 – 51.0  | 75.0 | 27.5 | 65.0 | 4.9  | 9.5  |
| V6                | 45.0         | 69.5 | 20.0 | 58.0 | 4.0  | 10.0 |
| V8                | 63.5         | 90.0 | 27.5 | 77.5 | 4.9  | 9.5  |
| PYC6041*          | 36.6         | 64.0 | 20.0 | 52.0 | 4.5  | 11.5 |



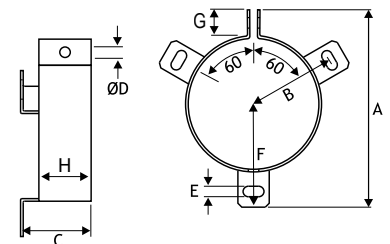
\*PYC clamps are for PEH169 and PEH200 capacitors only. Diameters include plastic insulation.

| Vertical Mounting |              |      |      |      |      |      |
|-------------------|--------------|------|------|------|------|------|
| Type              | Can Diameter | A    | B    | C    | D    | F    |
|                   | Tolerance    | ±1.0 | ±0.3 | ±0.5 | ±0.3 | ±0.5 |
| 2736              | 35.0 – 36.0  | 63.0 | 12.2 | 54.5 | 17.2 | 9.0  |



When using mounting clamps, care should be taken not to obscure any safety vent in the can. Delivered without bolts and nuts for mounting.

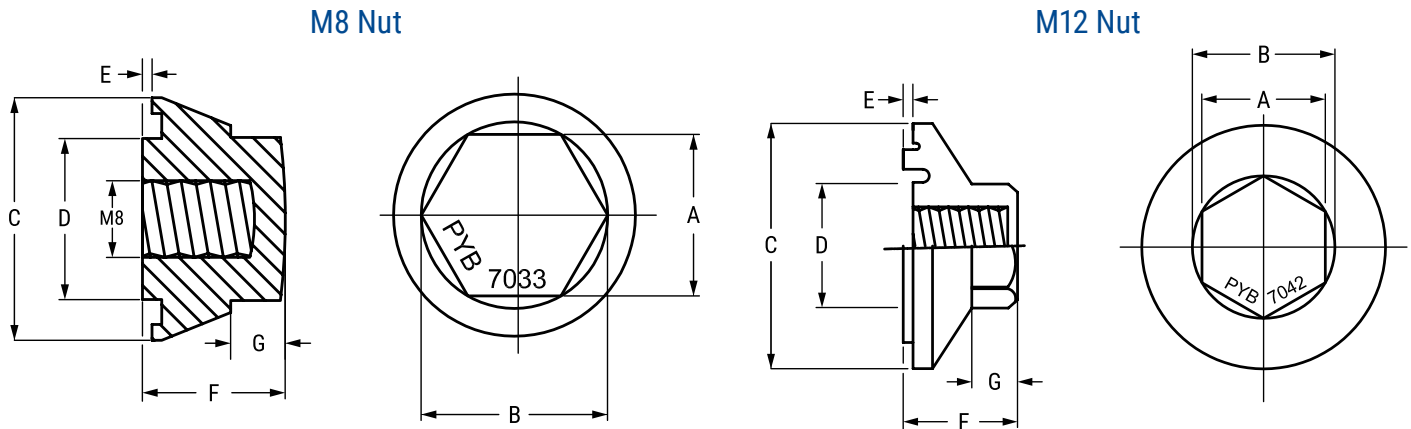
| Vertical Mounting |              |       |      |      |      |      |      |      |      |
|-------------------|--------------|-------|------|------|------|------|------|------|------|
| Type              | Can Diameter | A     | B    | C    | D    | E    | F    | G    | H    |
|                   | Tolerance    | ±1.0  | ±0.5 | ±0.5 | ±0.5 | ±0.3 | ±0.5 | ±0.5 | ±0.3 |
| 2737              | 50.0 - 51.0  | 75.5  | 33.5 | 27.0 | 4.3  | 4.3  | 39.5 | 10.0 | 20   |
| V10               | 65.0 - 66.0  | 90.0  | 40.0 | 30.0 | 5.0  | 4.5  | 46.0 | 10.0 | 20   |
| 2738              | 65.0 - 66.0  | 88.5  | 39.0 | 27.0 | 4.3  | 4.3  | 45.0 | 10.0 | 20   |
| V11               | 76.0 - 77.0  | 100.5 | 45.5 | 30.0 | 5.0  | 4.5  | 51.5 | 10.0 | 20   |
| V90N              | 90.0         | 111.1 | 50.8 | 30.5 | 4.2  | 5.0  | 55.5 | 10.0 | 24   |
| PYC6042*          | 51.6         | 78.0  | 33.5 | 29.5 | 5.5  | 4.5  | 39.0 | 12.0 | 19   |
| PYC6043*          | 66.6         | 90.5  | 39.0 | 36.0 | 5.5  | 4.5  | 44.0 | 12.0 | 25   |
| PYC6044*          | 76.6         | 100.5 | 44.0 | 36.0 | 5.5  | 4.5  | 49.0 | 12.0 | 25   |
| PYC6045*          | 91.6         | 115.5 | 51.5 | 36.0 | 5.5  | 4.5  | 56.5 | 12.0 | 25   |



When using mounting clamps, care should be taken not to obscure any safety vent in the can. Delivered without bolts and nuts for mounting.

\*PYC clamps are for PEH169 and PEH200 capacitors only. Diameters include plastic insulation.

## Mounting Data for Accessories



| Part Code     | Capacitor Diameter | Mounting Hole      | Maximum Chassis Thickness | Creepage Distance | Test Voltage 50 – 60 Hz | Maximum Tightening Torque |
|---------------|--------------------|--------------------|---------------------------|-------------------|-------------------------|---------------------------|
|               | (mm)               | (mm) Minimum       | (mm)                      | (mm)              | 1 min (KVAC)            | (NM)                      |
| PYB7033 (M8)  | $\varnothing < 36$ | $\varnothing 17.5$ | 5                         | 4.5               | 2.5                     | 3                         |
| PYB7026 (M12) | $\varnothing > 36$ | $\varnothing 17.5$ | 5                         | 2.5               | 2.5                     | 8                         |
| PYB7041 (M12) | $\varnothing > 36$ | $\varnothing 22.5$ | 5                         | 5                 | 2.5                     | 8                         |
| PYB7042 (M12) | $\varnothing > 36$ | $\varnothing 30.5$ | 5                         | 9                 | 4                       | 8                         |

| Part Code     | A         | B         | C         | D         | E         | F         | G         |
|---------------|-----------|-----------|-----------|-----------|-----------|-----------|-----------|
|               | $\pm 0.2$ | $\pm 0.2$ | $\pm 0.2$ | $\pm 0.2$ | $\pm 0.2$ | $\pm 0.5$ | $\pm 0.2$ |
| PYB7033 (M8)  | 17.0      | 19.5      | 25.3      | 16.8      | 1.0       | 14.9      | 5.7       |
| PYB7026 (M12) | 19.0      | 21.7      | 30.0      | 15.2      | 1.0       | 17.6      | 6.9       |
| PYB7041 (M12) | 19.0      | 21.7      | 30.0      | 15        | 1.5       | 18.0      | 7.0       |
| PYB7042 (M12) | 19.0      | -         | 37.5      | 29.5      | 1.5       | 17.5      | 7.0       |

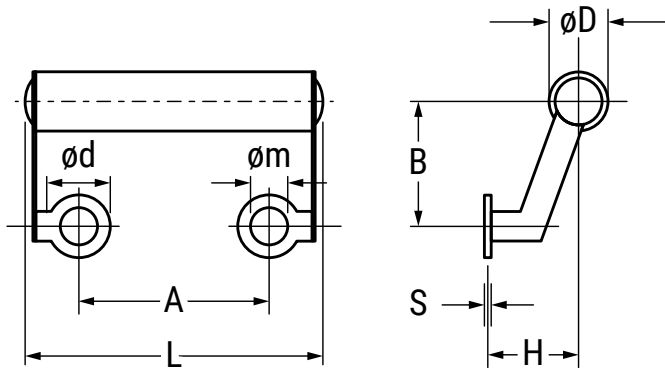
## Resistors

For voltage balancing and/or discharge of electrolytic capacitors

### Basic Design



The PYR resistors are wire wound on a ceramic core and coated with high temperature silicone. The mounting brackets are made of stainless steel and connected by two point spot welding.

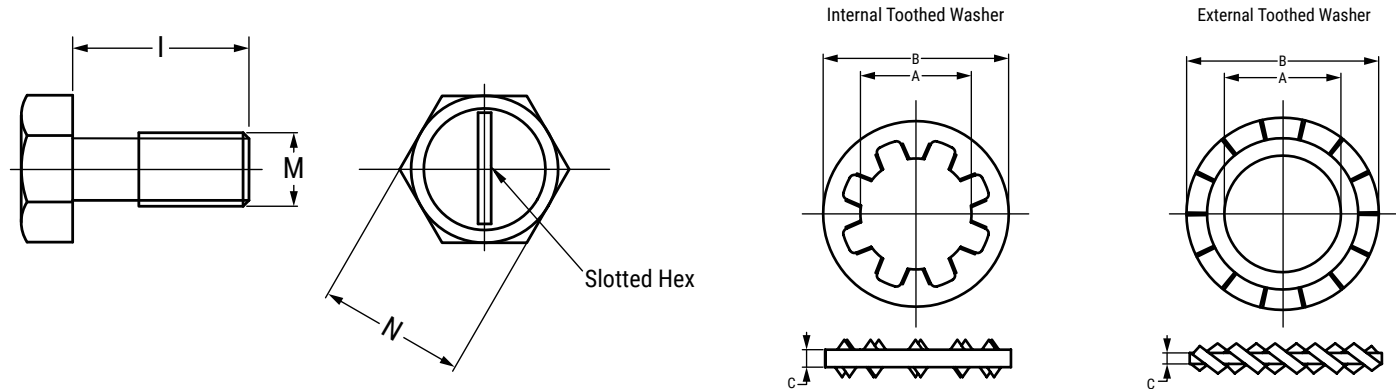


| Type    | A    | L  | d    | m    | B    | H  | S   | D       |
|---------|------|----|------|------|------|----|-----|---------|
|         | (mm) | ±1 | ±2   | (mm) | (mm) | ±1 | ±1  | Maximum |
| PYR5008 | 22*  | 40 | 10.6 | 6.3  | 21   | 15 | 0.4 | 10      |
| PYR7511 | 32   | 50 | 10.6 | 6.3  | 21   | 15 | 0.4 | 10      |

\*Brackets are adjustable up to A = 28.5

| Part Number | Resistance | P <sub>Max</sub><br>(Watts) | P <sub>Max</sub><br>(Watts) | P <sub>Max</sub><br>(Watts) | Capacitor<br>Diameter |
|-------------|------------|-----------------------------|-----------------------------|-----------------------------|-----------------------|
|             | (kΩ)       | 40°C                        | 85°C                        | 105°C                       | (mm)                  |
| PYR5008-47  | 47         | 10                          | 8                           | 7                           | 50-65                 |
| PYR7511-10  | 10         | 13                          | 11                          | 10                          | 75-90                 |
| PYR7511-18  | 18         | 13                          | 11                          | 10                          | 75-90                 |
| PYR7511-27  | 27         | 13                          | 11                          | 10                          | 75-90                 |
| PYR7511-47  | 47         | 13                          | 11                          | 10                          | 75-90                 |

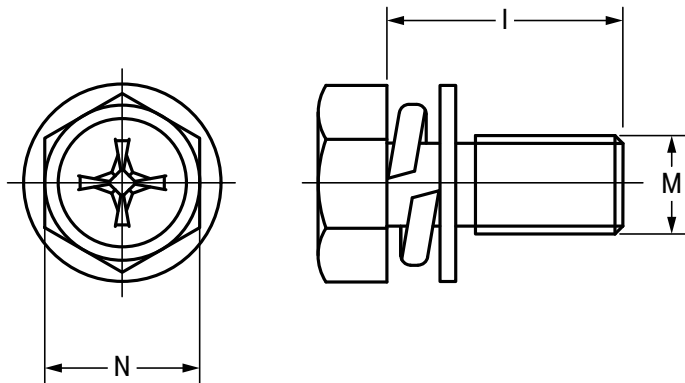
## Steel Screws & Washers



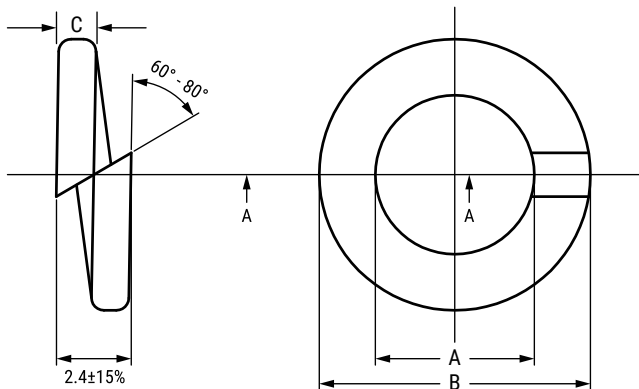
| Part Code | Size (M) | Description             | Screw Dimensions |        |                           | Washer Dimensions |      |     | Kit Part Number   |                   |                   |
|-----------|----------|-------------------------|------------------|--------|---------------------------|-------------------|------|-----|-------------------|-------------------|-------------------|
|           |          |                         | I (mm)           | N (mm) | Maximum Tightening Torque | A                 | B    | C   | 3895 (10 per bag) | 3896 (20 per bag) | 3897 (50 per bag) |
| 2641*     | M5 x 0.8 | Steel Screw             | 10               | 8      | 2                         | -                 | -    | -   |                   | •                 | •                 |
| 3502*     | M6 x 1.0 | Steel Screw             | 10               | 10     | 4                         | -                 | -    | -   | •                 |                   |                   |
| 2348*     | M5       | Internal Toothed Washer | -                | -      | -                         | 5.2               | 8.9  | 0.6 |                   | •                 | •                 |
| 2358*     | M6       | Internal Toothed Washer | -                | -      | -                         | 6.4               | 10.7 | 0.6 | •                 |                   |                   |

\*Not sold separately, only sold in Kit

## Steel Screws & Washers cont.



| Part Code | Size (M)           | Description                                 | Screw Dimensions |        |
|-----------|--------------------|---|------------------|--------|
|           |                    |   | I (mm)           | N (mm) |
| 2645      | M5 x 0.8 x 12 (mm) | Screw with Captive Split Lock & Flat Washer | 12               | 7.85   |



| Part Code | Size (M) | Description  | Washer Dimensions |     |     |
|-----------|----------|--------------|-------------------|-----|-----|
|           |          |              | A                 | B   | C   |
| PYC7150   | M5       | Split Washer | 5.1               | 8.7 | 1.2 |

## KEMET Electronics Corporation Sales Offices

For a complete list of our global sales offices, please visit [www.kemet.com/sales](http://www.kemet.com/sales).

---

### Disclaimer

YAGEO Corporation and its affiliates do not recommend the use of commercial or automotive grade products for high reliability applications or manned space flight.

All product specifications, statements, information and data (collectively, the "Information") in this datasheet are subject to change. The customer is responsible for checking and verifying the extent to which the Information contained in this publication is applicable to an order at the time the order is placed. All Information given herein is believed to be accurate and reliable, but it is presented without guarantee, warranty, or responsibility of any kind, expressed or implied.

Statements of suitability for certain applications are based on KEMET Electronics Corporation's ("KEMET") knowledge of typical operating conditions for such applications, but are not intended to constitute – and KEMET specifically disclaims – any warranty concerning suitability for a specific customer application or use. The Information is intended for use only by customers who have the requisite experience and capability to determine the correct products for their application. Any technical advice inferred from this Information or otherwise provided by KEMET with reference to the use of KEMET's products is given gratis, and KEMET assumes no obligation or liability for the advice given or results obtained.

Although KEMET designs and manufactures its products to the most stringent quality and safety standards, given the current state of the art, isolated component failures may still occur. Accordingly, customer applications which require a high degree of reliability or safety should employ suitable designs or other safeguards (such as installation of protective circuitry or redundancies) in order to ensure that the failure of an electrical component does not result in a risk of personal injury or property damage.

Although all product-related warnings, cautions and notes must be observed, the customer should not assume that all safety measures are indicated or that other measures may not be required.

KEMET requires its products to be packaged and shipped on pallets. This is because KEMET's products are specifically designed to be packed onto pallets during shipment. If for any reason, the products are removed from pallets by the shipping party and shipped to the end customer, then additional external protection is required. In this instance, an external box with two carton layers and an upwards orientation sticker must be used by the shipping party, with the empty space filled with filling material, and afterwards sealing the box. If this packing and packaging guideline is not followed by the shipping party, the shipping party, and not KEMET, will be held responsible for any packaging, packing and/or product damages upon delivery of the products to the end customer. KEMET hereby disclaims any liability for damages to the products or otherwise that have been, or threaten to be, inflicted, result from or are in any way related to the packaging, packing or damage by the shipping party in contravention of the packing and packaging guidelines herein.

*KEMET is a registered trademark of KEMET Electronics Corporation.*



# Mouser Electronics

Authorized Distributor

Click to View Pricing, Inventory, Delivery & Lifecycle Information:

## KEMET:

[PYB7026](#) [PYB7033](#) [PYB7041](#) [PYB7042](#) [PYC6042](#) [PYC6044](#) [PYC6041](#) [PYC6043](#) [PYC6045](#) [PYC7150](#) [2740](#)  
[2741](#) [2772](#) [2773](#) [2778](#) [2779](#) [H1](#) [H2](#) [V10](#) [V11](#) [V2](#) [V3](#) [V4](#) [V8](#) [V9](#) [PYR5008-47](#) [PYR7511-10](#) [PYR7511-18](#)  
[PYR7511-47](#) [3897](#) [3896](#) [V6](#) [2738](#) [2737](#) [2736](#) [3895](#) [2782](#) [2785](#) [V90N](#)