

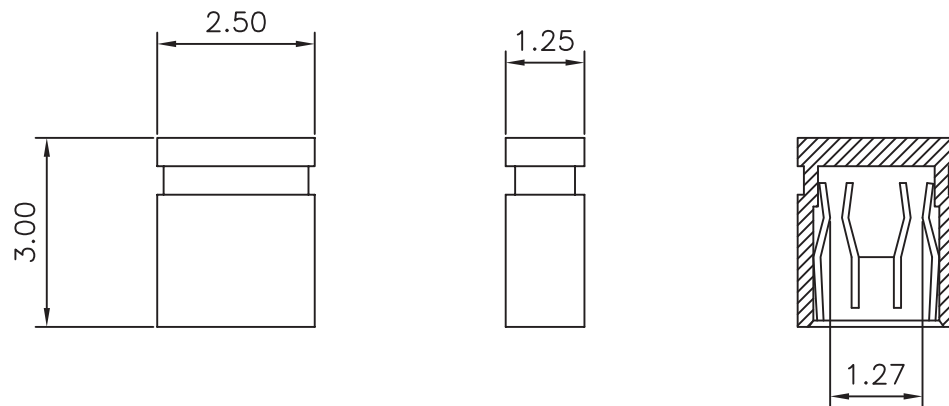
1

2

3

4

5



TECHNICAL CHARACTERISTICS

MATERIAL
 INSULATOR: PA 66
 FLAMABILITY RATING: UL94-V2
 COLOR: BLACK
 CONTACT MATERIAL: COPPER ALLOY
 CONTACT TYPE: STAMPED
 CONTACT PLATING: GOLD
 QUALITY CLASS: 3 AS PER CECC 75 301-802
 PITCH: 1.27MM

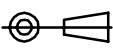

ENVIRONMENTAL
 OPERATING TEMPERATURE: -40 UP TO 125°C
 COMPLIANCE: LEAD FREE AND ROHS

ELECTRICAL
 CURRENT RATING: 1A
 WORKING VOLTAGE: 250V AC
 INSULATOR RESISTANCE: >1000 MOHM
 DIELECTRIC WITHSTANDING VOLTAGE: 650V AC/MN
 CONTACT RESISTANCE: 30 mOHM MAX

PACKAGING
 BAG

NOTE
 BECAUSE OF PLASTIC THICKNESS, SEVERAL JUMPERS
 CAN NOT BE STACKED TOGETHER

RoHS Compliant

G				PROJECTION: 	GENERAL TOLERANCE .X = +/- 0.2 .XX = +/- 0.15		DESCRIPTION: 1.27MM JUMPER	SIZE A4
F								
E								
D								
C	09-SEP-10	UL	GG	APPROVAL: RJ	UNIT: MM	WERI PART NO: 622 002 134 21		
B	20-MAY-09	NOTE	JP		SCALE:			
A	17-DEC-07	PDF	CH		SHEET: 1/1			
REV	DATE	FILE	BY		DRAW: CEL KING			

A

B

C

D

Mouser Electronics

Authorized Distributor

Click to View Pricing, Inventory, Delivery & Lifecycle Information:

[Wurth Elektronik:](#)

[62200213421](#)