

CUSTOMER TERMINAL	RoHS	LEAD(Pb)-FREE
Sn96%, Ag4%	Yes	Yes

more than you expect

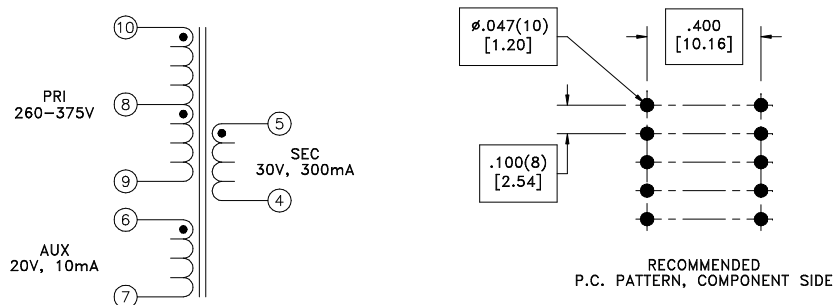
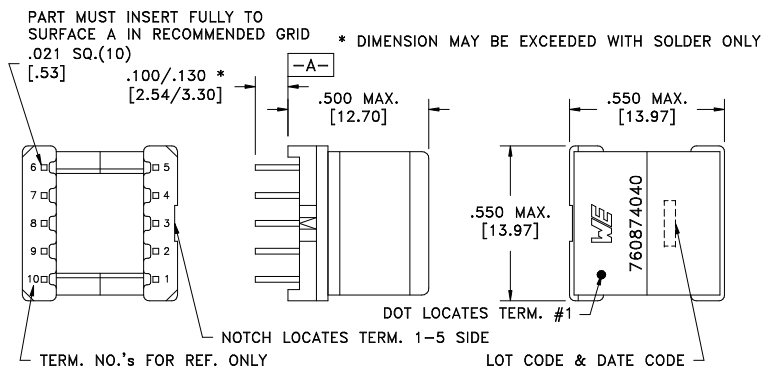


ELECTRICAL SPECIFICATIONS @ 25°C unless otherwise noted:

PARAMETER	TEST CONDITIONS	VALUE
D.C. RESISTANCE	4-5 @20°C	0.135 ohms ±10%
D.C. RESISTANCE	6-7 @20°C	1.42 ohms ±10%
D.C. RESISTANCE	9-10 @20°C	2.95 ohms ±10%
INDUCTANCE	10kHz, 100mVAC, Ls	1.21mH ±10%
SATURATION CURRENT	20% rolloff from initial	500mA
LEAKAGE INDUCTANCE	tie(6+7, 4+5), 100kHz, 100mVAC, Ls	8uH typ., 15uH max.
DIELECTRIC	tie(6+9), 1500VAC, 1 second	-
URNS RATIO	(10-9):(5-4)	3.235:1, ±1%
URNS RATIO	(10-9):(6-7)	5:1, ±1%

GENERAL SPECIFICATIONS:

Designed for Functional Insulation.



Wire insulation & RoHS status not affected by wire color.
Wire insulation color may vary depending on availability.

REV.	DATE	Packaging Specifications Method: Tray PKG-0318 www.we-online.com/midcom		Tolerances unless otherwise specified: Angles: ±1° Decimals: ±.005 [.13] Fractions: ±1/64 Footprint: ±.001 [.03]	DRAWING TITLE TRANSFORMER	PART NO. 760874040
6A	6/11	SEE REVISION SHEET FOR REVISION LEVEL	CONVENTION PLACEMENT	This drawing is dual dimensioned. Dimensions in brackets are in millimeters.	eiSos p/n: 760874040	SPECIFICATION SHEET 1 OF 1

Mouser Electronics

Authorized Distributor

Click to View Pricing, Inventory, Delivery & Lifecycle Information:

[Wurth Elektronik:](#)

[760874040](#)