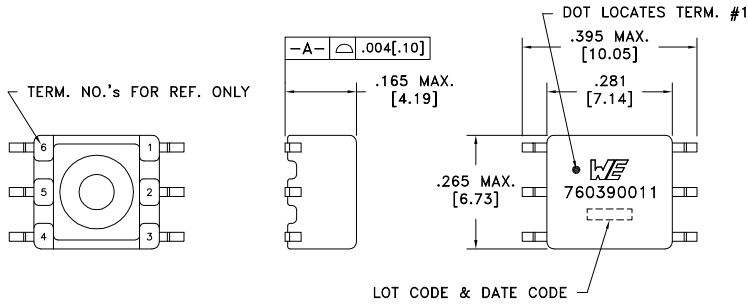


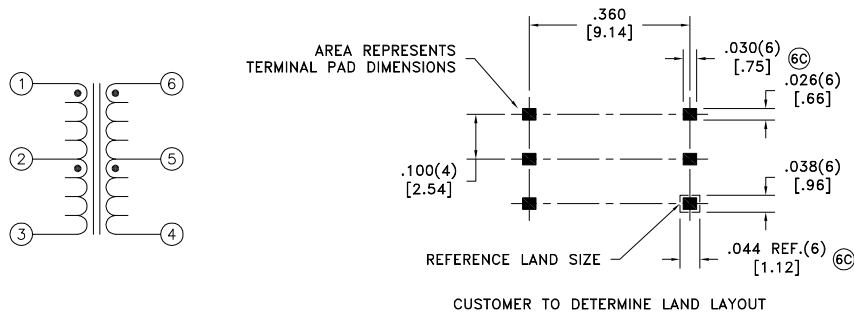
CUSTOMER TERMINAL	RoHS	LEAD(Pb)-FREE
Sn96%, Ag4%	Yes	Yes

more than you expect



ELECTRICAL SPECIFICATIONS @ 25°C unless otherwise noted:

PARAMETER	TEST CONDITIONS	VALUE
6B D.C. RESISTANCE	1-3 @20°C	0.46 ohms max.
6B D.C. RESISTANCE	6-4 @20°C	0.48 ohms max.
INDUCTANCE	1-3 10kHz, 100mVAC, Ls	1.0mH min.
DIELECTRIC	1-6 1875VAC, 1 second	1500VAC, 1 minute
TURNS RATIO	(6-4):(1-3)	1.1:1, ±2%



GENERAL SPECIFICATIONS:

6B OPERATING TEMPERATURE RANGE: -40°C to +125°C.

CURRENT RATING: 100mAAC

VOLTAGE-TIME: 7VuS

Wire insulation & RoHS status not affected by wire color.
Wire insulation color may vary depending on availability.

REV.	DATE	Packaging Specifications Method: Tape & Reel PKG-0895 www.we-online.com/midcom		Tolerances unless otherwise specified: Angles: ±1° Fractions: ±1/64 Decimals: ±.005 [.13] Footprint: ±.005 [.13]	DRAWING TITLE TRANSFORMER	PART NO. 760390011
6C	6/13					
6B	1/13					
6A	12/12	SEE REVISION SHEET FOR REVISION LEVEL		This drawing is dual dimensioned. Dimensions in brackets are in millimeters.	eiSos p/n: 760390011	SPECIFICATION SHEET 1 OF 1

Mouser Electronics

Authorized Distributor

Click to View Pricing, Inventory, Delivery & Lifecycle Information:

[Wurth Electronics:](#)

[760390011](#)