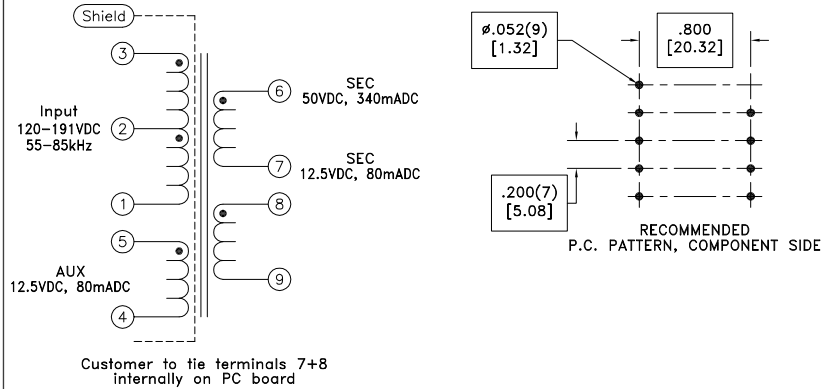
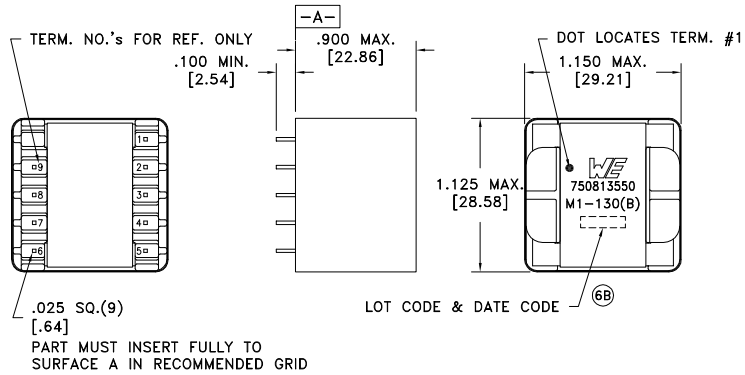


CUSTOMER TERMINAL	RoHS	LEAD(Pb)-FREE
Sn96%, Ag4%	Yes	Yes

more than you expect



ELECTRICAL SPECIFICATIONS @ 25°C unless otherwise noted:

PARAMETER	TEST CONDITIONS	VALUE
D.C. RESISTANCE	3-1 @20°C	1.30 ohms ±20%
D.C. RESISTANCE	5-4 @20°C	0.165 ohms ±20%
D.C. RESISTANCE	6-7 @20°C	0.295 ohms ±20%
D.C. RESISTANCE	8-9 @20°C	0.125 ohms ±20%
INDUCTANCE	3-1 10kHz, 100mVAC, Ls	1.02mH ±10%
SATURATION CURRENT	20% rolloff from initial	1.5A
LEAKAGE INDUCTANCE	3-1 tie(4+5, 6+7+8+9), 100kHz, 100mVAC, Ls	16uH typ., 22uH max.
DIELECTRIC	3-6 tie(1+5, 7+8), 3750VAC, 1 second	3000VAC, 1 minute
TURNS RATIO	(3-1):(5-4)	7.27:1, ±2%
TURNS RATIO	(3-1):(6-9), tie(7+8)	1.95:1, ±2%
TURNS RATIO	(3-1):(8-9)	7.27:1, ±2%
TURNS RATIO	(3-2):(2-1)	1:1, ±2%

GENERAL SPECIFICATIONS:

UL recognized Class B Insulation System M1-130(B), E106391.

Designed to comply with the following requirements as defined by UL60950-1:
- Reinforced insulation with creepage distance of 6.4mm and clearance distance of 4.8mm.

Wire insulation & RoHS status not affected by wire color.
Wire insulation color may vary depending on availability.

DETAILS SUBJECT TO CHANGE

REV.	DATE	Packaging Specifications Method: Tray PKG-0253 www.we-online.com/midcom		Tolerances unless otherwise specified: Angles: ±1° Fractions: ±1/64 Decimals: ±.005 [.13] Footprint: ±.001 [.03]	DRAWING TITLE TRANSFORMER	PART NO. 750813550
6B	3/16		CONVENTION PLACEMENT	This drawing is dual dimensioned. Dimensions in brackets are in millimeters.	eiSos p/n: 750813550	
6A	9/10	SEE REVISION SHEET FOR REVISION LEVEL				SPECIFICATION SHEET 1 OF 1

Mouser Electronics

Authorized Distributor

Click to View Pricing, Inventory, Delivery & Lifecycle Information:

[Wurth Elektronik:](#)

[750813550](#)