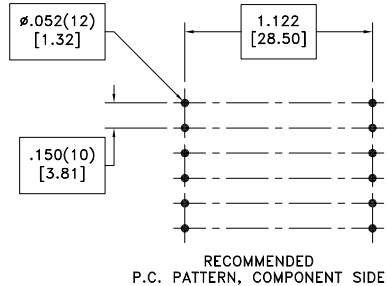
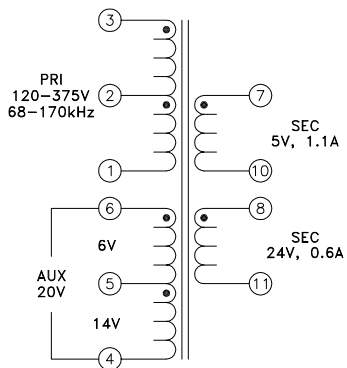
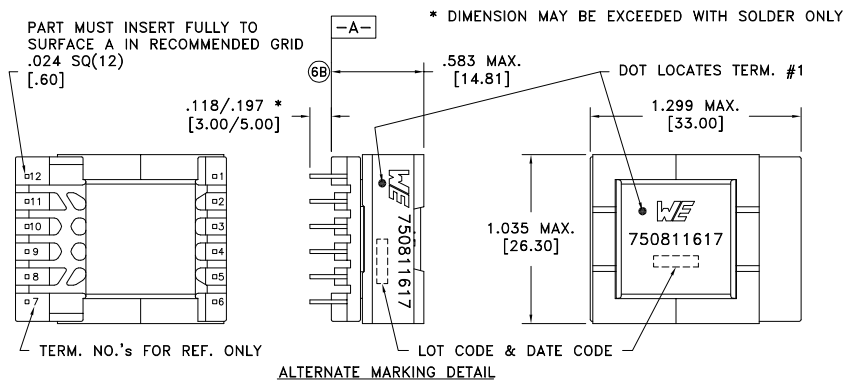


| | | |
|-------------------|------|---------------|
| CUSTOMER TERMINAL | RoHS | LEAD(Pb)-FREE |
| Sn96%, Ag4% | Yes | Yes |



ELECTRICAL SPECIFICATIONS @ 25°C unless otherwise noted:

| PARAMETER | TEST CONDITIONS | VALUE |
|--------------------|---|---------------------------|
| D.C. RESISTANCE | 1-3 @20°C | 1.595 ohms ±10% |
| D.C. RESISTANCE | 4-5 @20°C | 0.816 ohms ±10% |
| D.C. RESISTANCE | 5-6 @20°C | 0.377 ohms ±10% |
| D.C. RESISTANCE | 7-10 @20°C | 0.0119 ohms ±20% |
| D.C. RESISTANCE | 8-11 @20°C | 0.115 ohms ±10% |
| INDUCTANCE | 1-3 10kHz, 100mVAC, Ls | 793uH ±10% |
| SATURATION CURRENT | 20% rolloff from initial | 2A |
| LEAKAGE INDUCTANCE | 1-3 tie(4+5+6, 7+10, 8+11), 100kHz, 100mVAC, Ls | 8.91uH typ., 13.37uH max. |
| DIELECTRIC | 3-7 tie(3+4, 7+8), 4500VAC, 1 second | 4500VAC, 1 minute |
| DIELECTRIC | 3-4 625VAC, 1 second | 500VAC, 1 minute |
| TURNS RATIO | (2-1):(3-2) | 1:1, ±1% |
| TURNS RATIO | (3-1):(7-10) | 20:1, ±1% |
| TURNS RATIO | (3-1):(8-11) | 4.444:1, ±1% |
| TURNS RATIO | (3-1):(6-5) | 16:1, ±1% |
| TURNS RATIO | (3-1):(5-4) | 7.272:1, ±1% |

GENERAL SPECIFICATIONS:

OPERATING TEMPERATURE RANGE: -40°C to +125°C including temp rise.

Designed to comply with the following requirements as defined by IEC61558-2-16:
 - Reinforced insulation for a primary circuit at a working voltage of 400VDC.

Wire insulation & RoHS status not affected by wire color.
 Wire insulation color may vary depending on availability.

| | | | | | | |
|------|-------|--|----------------------|--|-------------------------------------|------------------------------|
| REV. | DATE | Packaging Specifications Method: Tray PKG-0924 www.we-online.com/midcom | | Tolerances unless otherwise specified: Angles: ±1° Decimals: ±.005 [.13] Fractions: ±1/64 Footprint: ±.001 [.03] | DRAWING TITLE TRANSFORMER | PART NO. 750811617 |
| 6B | 5/18 | SEE REVISION SHEET FOR REVISION LEVEL | CONVENTION PLACEMENT | This drawing is dual dimensioned. Dimensions in brackets are in millimeters. | eiSos p/n: 750811617 | |
| 6A | 11/13 | | | | | SPECIFICATION SHEET 1 OF 1 |

Mouser Electronics

Authorized Distributor

Click to View Pricing, Inventory, Delivery & Lifecycle Information:

[Wurth Elektronik:](#)

[750811617](#)