

CUSTOMER TERMINAL	RoHS	LEAD(Pb)-FREE
Sn96%, Ag4%	Yes	Yes

more than you expect



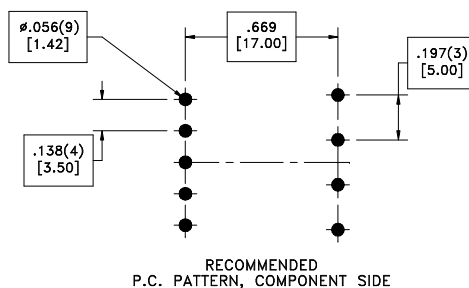
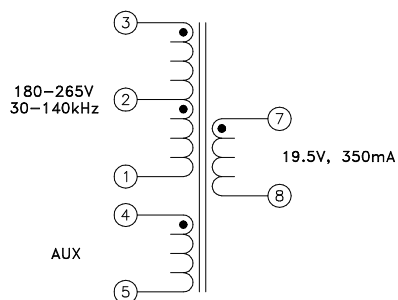
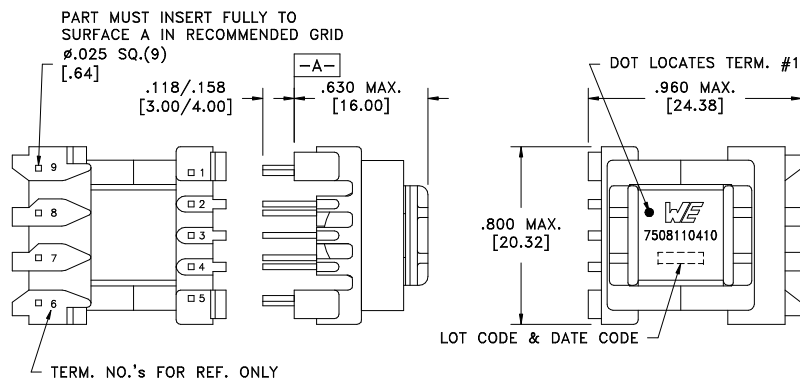
ELECTRICAL SPECIFICATIONS @ 25°C unless otherwise noted:

PARAMETER	TEST CONDITIONS	VALUE
D.C. RESISTANCE	3-1 @20°C	16.50 ohms ±10%
D.C. RESISTANCE	7-8 @20°C	0.175 ohms ±10%
D.C. RESISTANCE	4-5 @20°C	0.810 ohms ±10%
INDUCTANCE	3-1 100kHz, 100mVAC, Ls	13.80mH ±10%
SATURATION CURRENT	20% rolloff from initial	225mA
LEAKAGE INDUCTANCE	3-1 tie(4+5, 7+8), 100kHz, 100mVAC, Ls	150uH typ., 200uH max.
DIELECTRIC	3-7 tie(3+4), 4500VAC, 1 second	4500VAC, 1 minute
DIELECTRIC	3-4 625VAC, 1 second	500VAC, 1 minute
TURNS RATIO	(3-1):(7-8)	18.50:1, ±1%
TURNS RATIO	(3-1):(4-5)	23.12:1, ±1%

GENERAL SPECIFICATIONS:

OPERATING TEMPERATURE RANGE: -40°C to +125°C including temp rise.

Designed to comply with the following requirements as defined by IEC61558-2-17:  
 - Reinforced insulation for a primary circuit at a working voltage of 400VDC.



Wire insulation & RoHS status not affected by wire color.  
 Wire insulation color may vary depending on availability.

REV.	DATE	Packaging Specifications Method: Tray PKG-0735 www.we-online.com/midcom		Tolerances unless otherwise specified: Angles: ±1°      Decimals: ±.005 [.13] Fractions: ±1/64      Footprint: ±.001 [.03]	DRAWING TITLE <b>TRANSFORMER</b>	PART NO. <b>7508110410</b>
6A	1/11	SEE REVISION SHEET FOR REVISION LEVEL	CONVENTION PLACEMENT	This drawing is dual dimensioned. Dimensions in brackets are in millimeters.	eiSos p/n: 7508110410	SPECIFICATION SHEET 1 OF 1

# Mouser Electronics

Authorized Distributor

Click to View Pricing, Inventory, Delivery & Lifecycle Information:

[Wurth Elektronik:](#)

[7508110410](#)