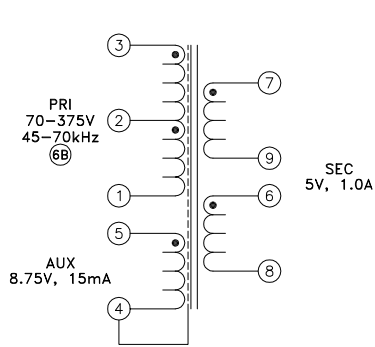
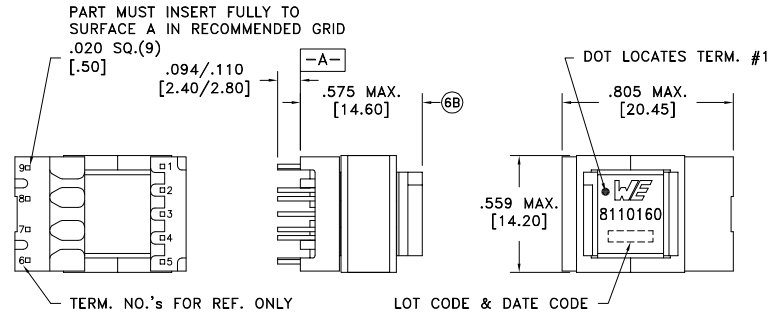
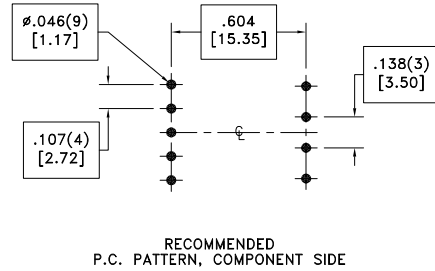


CUSTOMER TERMINAL	RoHS	LEAD(Pb)-FREE
Sn96%, Ag4%	Yes	Yes



Customer to tie terminals 6+7 and 8+9 internally on PC board.



Ⓒ ELECTRICAL SPECIFICATIONS @ 25°C unless otherwise noted:

PARAMETER	TEST CONDITIONS	VALUE
D.C. RESISTANCE	1-3 @20°C	3.15 ohms ±10%
D.C. RESISTANCE	5-4 @20°C	0.81 ohms ±10%
D.C. RESISTANCE	7-9 tie(6+7, 8+9), @20°C	0.021 ohms ±20%
INDUCTANCE	1-3 10kHz, 100mVAC, Ls	1.59mH ±10%
SATURATION CURRENT	20% rolloff from initial	480mA
LEAKAGE INDUCTANCE	1-3 tie(4+5, 6+7+8+9), 100kHz, 100mVAC, Ls	23uH typ., 34uH max.
DIELECTRIC	3-7 tie(3+4, 7+8), 4500VAC, 1 second	3600VAC, 1 minute
URNS RATIO	(3-1):(7-9), tie(6+7, 8+9)	15:1, ±1%
URNS RATIO	(3-1):(5-4)	8.571:1, ±1%

Ⓒ

GENERAL SPECIFICATIONS:

OPERATING TEMPERATURE RANGE: -40°C to +125°C including temp rise.

Designed to comply with the following requirements as defined by IEC60950-1, EN60950-1, UL60950-1/CSA60950-1 and AS/NZS60950.1:

- Reinforced insulation for a primary circuit at a working voltage of 400VDC.

Wire insulation & RoHS status not affected by wire color.
Wire insulation color may vary depending on availability.

DETAILS SUBJECT TO CHANGE

REV.	DATE	Packaging Specifications Method: Tray PKG-0995 www.we-online.com/midcom		Tolerances unless otherwise specified: Angles: ±1° Fractions: ±1/64 Decimals: ±.005 [1.3] Footprint: ±.001 [0.3]	DRAWING TITLE TRANSFORMER	PART NO. 7508110160
6C	3/18					
6B	7/17					
6A	9/14	SEE REVISION SHEET FOR REVISION LEVEL		This drawing is dual dimensioned. Dimensions in brackets are in millimeters.	eiSos p/n: 7508110160	SPECIFICATION SHEET 1 OF 1



Mouser Electronics

Authorized Distributor

Click to View Pricing, Inventory, Delivery & Lifecycle Information:

[Wurth Elektronik:](#)

[7508110160](#)