

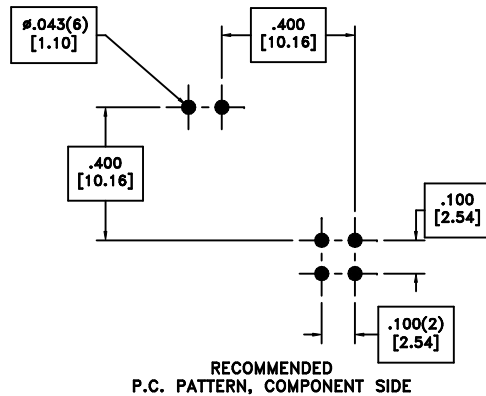
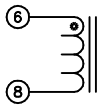
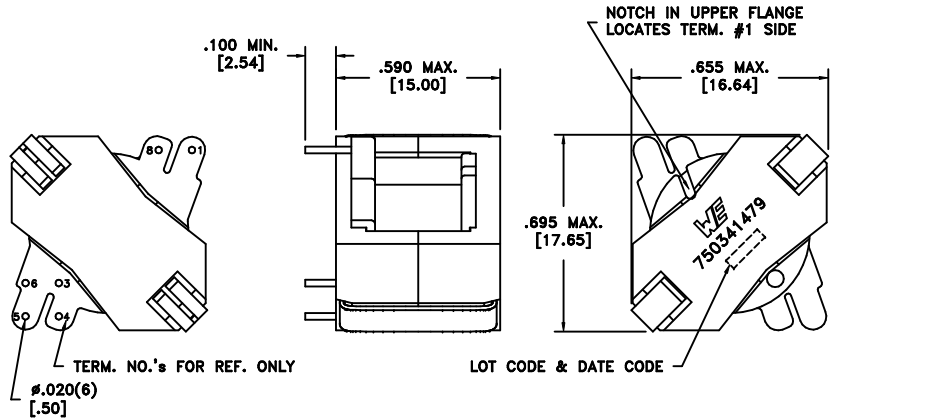
CUSTOMER TERMINAL	RoHS	LEAD(Pb)-FREE
Sn96%, Ag4%	Yes	Yes

more than you expect



ELECTRICAL SPECIFICATIONS @ 25°C unless otherwise noted:

PARAMETER	TEST CONDITIONS	VALUE
D.C. RESISTANCE	6-8 @20°C	1.160 ohms max.
INDUCTANCE	6-8 100kHz, 300mVAC, Ls	2.20mH ±10%



Wire insulation & RoHS status not affected by wire color.
Wire insulation color may vary depending on availability.

DETAILS SUBJECT TO CHANGE

REV.	DATE	Packaging Specifications Method: Tape & Reel PKG-0101 www.we-online.com/midcom	 CONVENTION PLACEMENT	Tolerances unless otherwise specified: Angles: ±1° Decimals: ±.005 [.13] Fractions: ±1/64 Footprint: ±.001 [.03]	DRAWING TITLE INDUCTOR	PART NO. 750341479
6B	3/13	www.we-online.com/midcom		This drawing is dual dimensioned. Dimensions in brackets are in millimeters.	eiSos p/n: 750341479	 SPECIFICATION SHEET 1 OF 1
6A	3/13	SEE REVISION SHEET FOR REVISION LEVEL	REVISION LEVEL			

Mouser Electronics

Authorized Distributor

Click to View Pricing, Inventory, Delivery & Lifecycle Information:

[Wurth Elektronik:](#)

[750341479](#)