

|                   |      |               |
|-------------------|------|---------------|
| CUSTOMER TERMINAL | RoHS | LEAD(Pb)-FREE |
| Sn96%, Ag4%       | Yes  | Yes           |



ELECTRICAL SPECIFICATIONS @ 25°C unless otherwise noted:

| PARAMETER       | TEST CONDITIONS         | VALUE              |
|-----------------|-------------------------|--------------------|
| D.C. RESISTANCE | 1-3 @20°C               | 0.160 ohms max.    |
| D.C. RESISTANCE | 6-4 @20°C               | 0.350 ohms max.    |
| INDUCTANCE      | 1-3 100kHz, 10mVAC, Ls  | 370uH min.         |
| DIELECTRIC      | 1-6 6250Vrms, 2 seconds | 5000Vrms, 1 minute |
| URNS RATIO      | (6-4):(1-3)             | 1.75:1, ±2%        |

GENERAL SPECIFICATIONS:

OPERATING TEMPERATURE RANGE: -40°C to +125°C.

CURRENT RATING: 1A

VOLTAGE-TIME: 20VuS for Unipolar operation  
40VuS for Bipolar operation

SWITCHING FREQUENCY: 150kHz min.

11mm min. creepage and clearance between PRI & SEC.

COPLANARITY: All 6 terminals must lie on a plane within .004 [.10] of Surface A after lead tinning.

Designed to comply with the following requirements as defined by IEC60601-1(ed): Amendment 1:  
- Providing two means of Patient Protection up to a working voltage of 360VAC.

Complies with the following requirements as defined by IEC60950-1, EN60950-1, UL60950-1/CSA60950-1 and AS/NZS60950.1:  
- Reinforced insulation for a primary circuit at a working voltage of 550VAC, Overvoltage Category II, Pollution Degree 2, up to 2km above sea level.

Designed to comply with the following requirements as defined by IEC60664-1:  
- Reinforced insulation for a primary circuit at a working voltage of 400VAC, up to 2km above sea level.

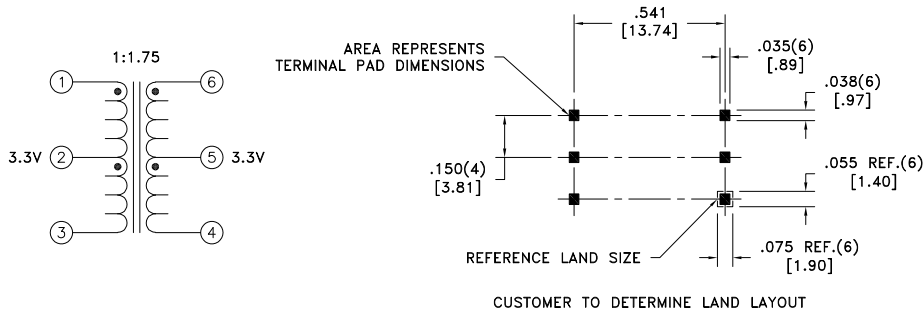
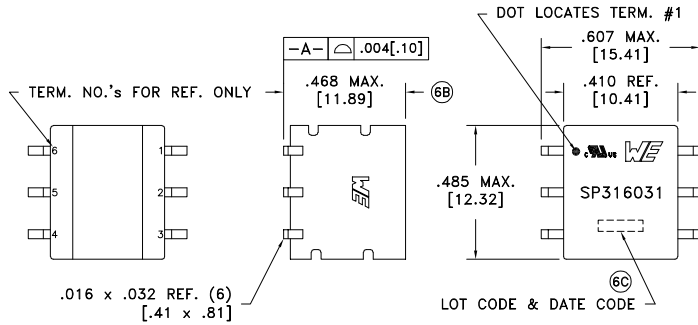
Designed to comply with the following requirements as defined by IEC61010-1:  
- Reinforced insulation for a Line to neutral voltage up to 1000Vrms, Overvoltage Category II, up to 2km above sea level.  
- Reinforced insulation for a Line to neutral voltage up to 600Vrms, Overvoltage Category II, up to 5km above sea level.

Complies with the following requirements as defined by IEC62368-1, UL/CSA62368-1 and EN62368-1:  
- Reinforced insulation for ES3, operating frequency above 30kHz, working voltage up to 550Vrms, 1600Vpeak, Overvoltage Category II, Pollution Degree II, and up to 2km above sea level.

Qualified to AEC-Q200.

AGENCY NUMBER

|   |         |
|---|---------|
| UL60950-1<br>UL62368-1                    | E205930 |
| IEC62368-1<br>EN62368-1<br>(Via CB cert.) | E205930 |
| IEC60950-1<br>EN60950-1<br>(Via CB cert.) | E205930 |



Wire insulation & RoHS status not affected by wire color.  
Wire insulation color may vary depending on availability.

DETAILS SUBJECT TO CHANGE

| REV. | DATE  | Packaging Specifications              |
|------|-------|---------------------------------------|
| 6E   | 9/21  | Method: Tape & Reel                   |
| 6D   | 12/19 | PKG-1055                              |
| 6C   | 5/17  | www.we-online.com/midcom              |
| 6B   | 1/17  | SEE REVISION SHEET FOR REVISION LEVEL |



Tolerances unless otherwise specified:  
Angles: ±1°      Decimals: ±.005 [.13]  
Fractions: ±1/64      Footprint: ±.005 [.13]  
This drawing is dual dimensioned. Dimensions in brackets are in millimeters.

DRAWING TITLE  
**TRANSFORMER**

eiSos p/n: 750316031



PART NO.  
**750316031**

SPECIFICATION SHEET 1 OF 1

# Mouser Electronics

Authorized Distributor

Click to View Pricing, Inventory, Delivery & Lifecycle Information:

[Wurth Elektronik:](#)

[750316031](#)