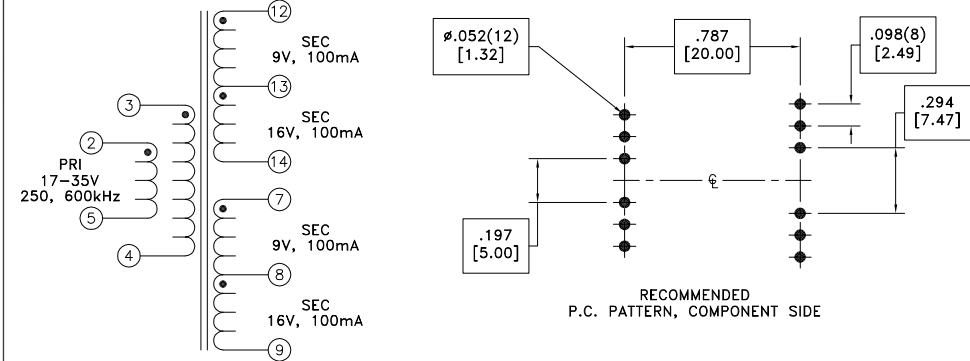
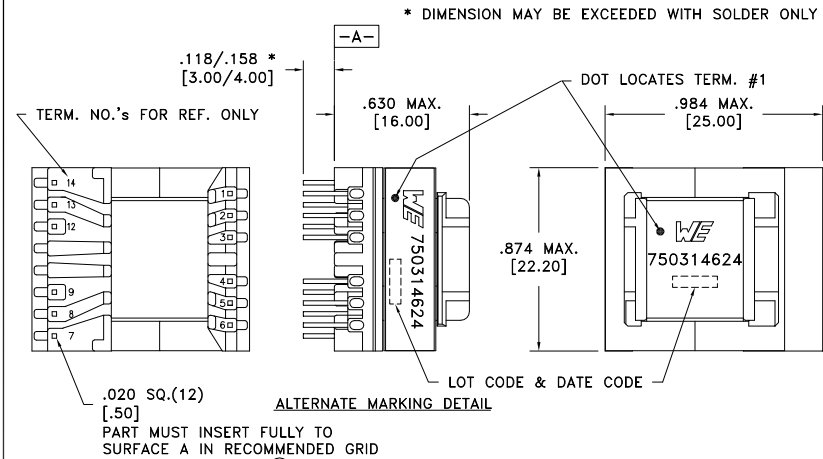


CUSTOMER TERMINAL	RoHS	LEAD(Pb)-FREE
Sn96%, Ag4%	Yes	Yes



Customer to tie terminals 2+3 and 4+5 internally on PCB.

ELECTRICAL SPECIFICATIONS @ 25°C unless otherwise noted:

PARAMETER	TEST CONDITIONS	VALUE
D.C. RESISTANCE	3-4 @20°C	0.075 ohms ±10%
D.C. RESISTANCE	2-5 @20°C	0.103 ohms ±10%
D.C. RESISTANCE	7-8 @20°C	0.360 ohms ±10%
D.C. RESISTANCE	8-9 @20°C	0.542 ohms ±10%
D.C. RESISTANCE	12-13 @20°C	0.360 ohms ±10%
D.C. RESISTANCE	13-14 @20°C	0.542 ohms ±10%
INDUCTANCE	tie(2+3, 4+5), 10kHz, 100mVAC, Ls	60uH ±10%
SATURATION CURRENT	20% rolloff from initial	1.55A
LEAKAGE INDUCTANCE	tie(2+3, 4+5, 7+8+9+12+13+14), 100kHz, 10mVAC, Ls	400nH typ., 800nH max.
DIELECTRIC	tie(4+5, 9+12), 5000VAC, 1 second	5000VAC, 1 minute
DIELECTRIC	9-12 1875VAC, 1 second	1875VAC, 1 minute
TURNS RATIO	(2-5):(3-4)	1:1, ±1%
TURNS RATIO	(3-4):(7-8)	1.08:1, ±1%
TURNS RATIO	(8-9):(3-4)	1.62:1, ±1%
TURNS RATIO	(3-4):(12-13)	1.08:1, ±1%
TURNS RATIO	(13-14):(3-4)	1.62:1, ±1%

GENERAL SPECIFICATIONS:

OPERATING TEMPERATURE RANGE: -40°C to +125°C including temp rise.

Designed with reinforced insulation from PRI to SEC with 8mm creepage and clearance distance.

Designed with basic insulation from SEC to PRI with 5.5mm creepage and clearance distance.

Wire insulation & RoHS status not affected by wire color.  
Wire insulation color may vary depending on availability.

REV.	DATE	Packaging Specifications Method: Tray PKG-0736 www.we-online.com/midcom		Tolerances unless otherwise specified: Angles: ±1° Fractions: ±1/64 Decimals: ±.005 [ .13 ] Footprint: ±.001 [ .03 ]	DRAWING TITLE <b>TRANSFORMER</b>	PART NO. <b>750314624</b>
6A	8/14	SEE REVISION SHEET FOR REVISION LEVEL	CONVENTION PLACEMENT	This drawing is dual dimensioned. Dimensions in brackets are in millimeters.	eiSos p/n: 750314624	SPECIFICATION SHEET 1 OF 1

# Mouser Electronics

Authorized Distributor

Click to View Pricing, Inventory, Delivery & Lifecycle Information:

[Wurth Elektronik:](#)

[750314624](#)