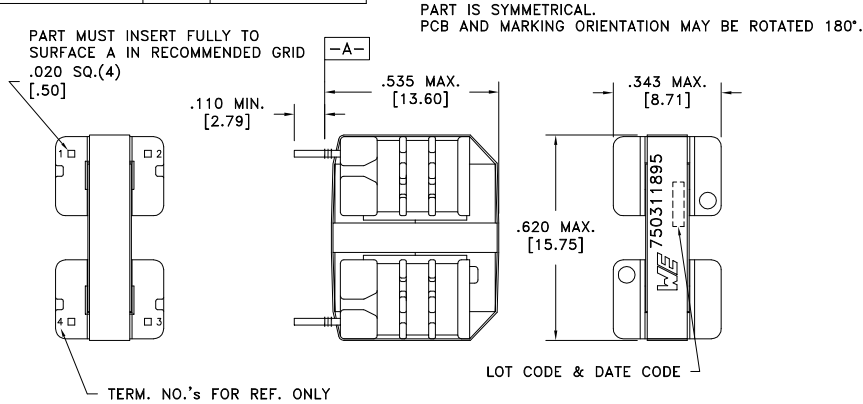
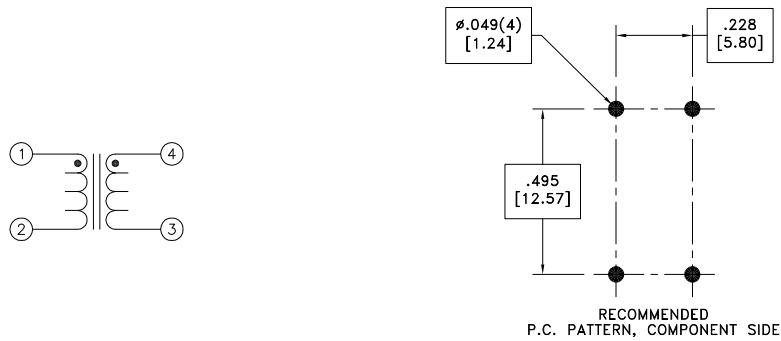


CUSTOMER TERMINAL	RoHS	LEAD(Pb)-FREE
Sn96%, Ag4%	Yes	Yes



**ELECTRICAL SPECIFICATIONS @ 25°C unless otherwise noted:**

PARAMETER	TEST CONDITIONS	VALUE
D.C. RESISTANCE	1-2 @20°C	1.6 ohms ±10%
D.C. RESISTANCE	3-4 @20°C	1.6 ohms ±10%
INDUCTANCE	1-2 10kHz, 100mVAC, Ls	6mH typ., 3.9mH min.
INDUCTANCE	3-4 10kHz, 100mVAC, Ls	6mH typ., 3.9mH min.
SATURATION CURRENT	20% rolloff from initial	500mA
LEAKAGE INDUCTANCE	tie(2+3), 100kHz, 100mVAC, Ls	700uH min.
SELF RESONANT FREQUENCY		850kHz typ.
DIELECTRIC	1-4 1875VAC, 1 second	1500VAC, 1 minute



**GENERAL SPECIFICATIONS:**

OPERATING TEMPERATURE RANGE: -40°C to +125°C including temp rise.

RATED CURRENT: 450mA causes 40°C temp rise from ambient.

Wire insulation & RoHS status not affected by wire color.  
Wire insulation color may vary depending on availability.

REV.	DATE	Packaging Specifications	<p>CONVENTION PLACEMENT</p>	<p>Tolerances unless otherwise specified: Angles: ±1°      Decimals: ±.005 [.13] Fractions: ±1/64      Footprint: ±.001 [.03]</p> <p>This drawing is dual dimensioned. Dimensions in brackets are in millimeters.</p>	DRAWING TITLE		PART NO.
6D	11/17	Method: Tray			<b>INDUCTOR</b>		<p><b>750311895</b></p>
6C	7/16	PKG-0888			<b>COMMON MODE CHOKE</b>		
6B	8/12	www.we-online.com/midcom			eiSos p/n: 750311895		
6A	12/10	SEE REVISION SHEET FOR REVISION LEVEL			SPECIFICATION SHEET 1 OF 1		

# Mouser Electronics

Authorized Distributor

Click to View Pricing, Inventory, Delivery & Lifecycle Information:

[Wurth Elektronik:](#)

[750311895](#)